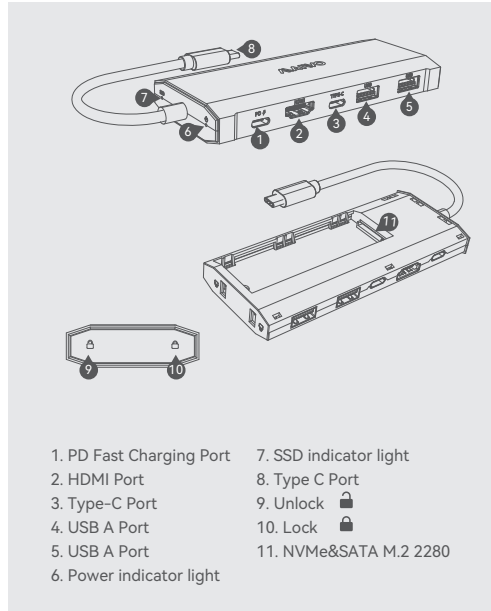


KH1001 6 in 1 Type C HUB & SSD Enclosure

Specification



- | | |
|--------------------------|------------------------|
| 1. PD Fast Charging Port | 7. SSD indicator light |
| 2. HDMI Port | 8. Type C Port |
| 3. Type-C Port | 9. Unlock |
| 4. USB A Port | 10. Lock |
| 5. USB A Port | 11. NVMe&SATA M.2 2280 |
| 6. Power indicator light | |

①

Specification

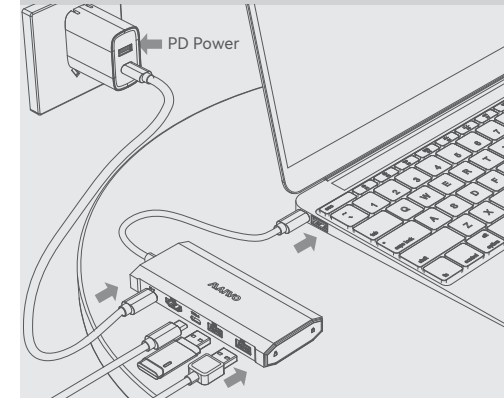
Name	MAIWO 6 in 1 Type C HUB & SSD Enclosure
Model	KH1001
Port	PD Fast Charging Port
	HDMI 2.0 4K@60HZ
	Type-C*1 5Gbps
Function	USB A*2 5Gbps
	NVMe M.2 up to 10Gbps, SATA M.2 up to 6Gbps
Size	125*53*17mm (cable 140mm)
Operation system	Windows, Mac OS, Linux
Indicator light	Blue power light will be on when connected to power. White indicator light will flashing when data read and write.

②

Operation Guide

1. USB/Type-C Port Function:

- 1.1. Connect the HUB to the Type C port of PC, blue power light will be on when connected to power.
- 1.2. Connect to the devices those have USB A/Type-C port.
- 1.3. Connect PD power adapter to PD port if needed. (There is no PD power adapter and cable in the packaging).

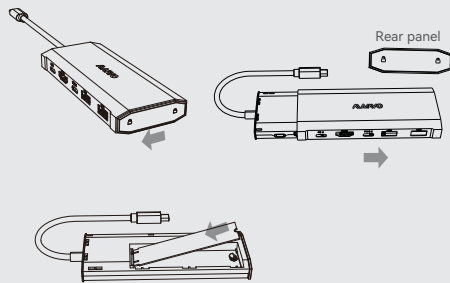


③

Operation Guide

2. How to install M.2 SSD:

- 2.1. Push the rear panel to unlock, and take it out.
- 2.2. Take out the middle frame
- 2.3. Install M.2 SSD and fix it with silicon plug

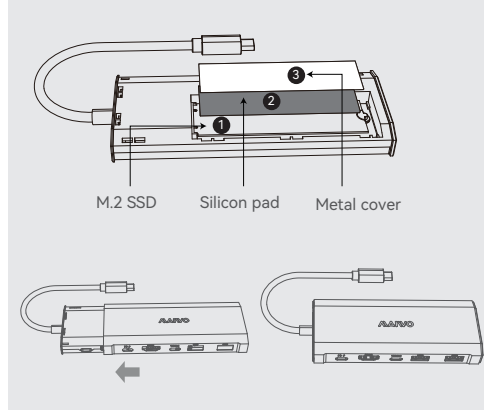


④

Operation Guide

2. How to install M.2 SSD:

- 2.4. Remove the protective strip from the silicon pad and press the pad onto the top of the SSD. And then press the metal cover on to the top of silicon pad.
- 2.5. Slide the middle frame back into the enclosure, and push the middle frame to lock.



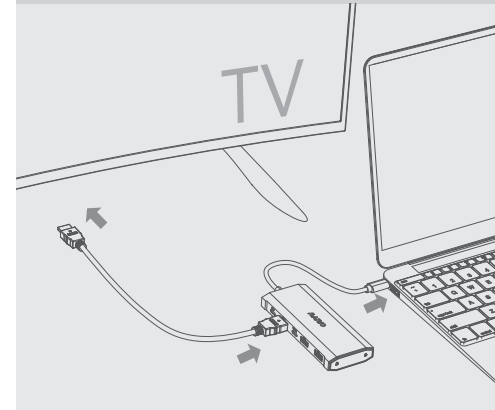
⑤

Operation Guide

3. HDMI Function:

- 3.1. Connect the HUB to the Type C port of PC, blue power light will be on when connected to power.
- 3.2. Connect the HDMI port to other Display devices with HDMI cable.

Note: there is no HDMI cables in the packaging.



⑥

4. Note:

It is unable to achieve data transmission and HDMI expansion function if the computer PD interface has no data function or video function.
To check whether the PC Type-C port supports PD data transmission or HDMI function, please visit the PC official website or contact the PC sales department for consultation.

⑦