

15 IN 1 Triple Display USB-C **Docking Station**

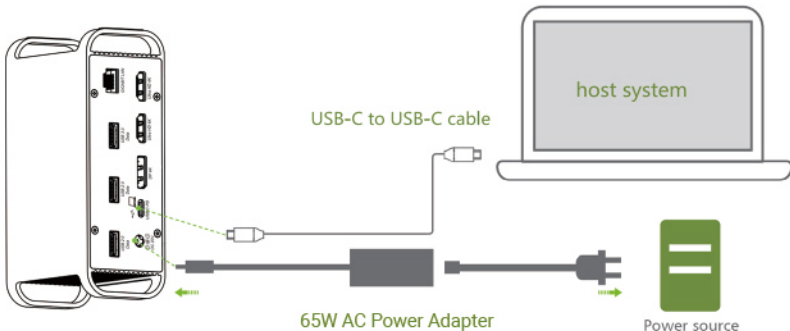
Model: DS-P06SD
User Manual

Interfaces Overview:

- 1 * USB-C female on the back panel for hotst laptop.
 - 2 * USB C USB 3.2 Gen2 on the face panel: 10Gbps data transmission and power charging for both ports.
 - 1 * USB 3.2 Gen2 USB A: 10Gbps data transfer and power charging.
 - 2 * USB 3.0 for data transferring.
 - 2 * USB 2.0 port for data transferring.
 - 2 * HDMI 2.0b: Support max 4K/60Hz video output.
 - 1 * DP1.4: Supports max 4K/60Hz video output.
 - 1 * Gigabit Ethernet: Supports 10/100/1000Mbps wide bandwidth.
 - 1 * SD/Micro SD card slots.
 - 1 * DC-IN Port.
- LED light for working status showing on the front panel.
- Anti-slip strips in two ways.

Connect the 65W AC power adapter to power input port on the back of the dock and the power source.

Connect the provided USB-C to USB-C cable to the dock and host laptop.



Packing List:

- 1 x Docking station
- 1 x User manual
- 1 x USB-C to USB-C cable
- 1 x 65W AC Power Adapter
- 1 x 1000mm length AC Power Cable

Notes:

1. DC-IN port plugged during any operation (Plug and play for all interfaces).
2. Connect Host laptop and Docking Station through the attached USB-C to USB-C cable.
3. No any extra adapter can be used to this docking station.

For Mac OS

Mirror Mode



Extend Mode



Notes:

1. Mac OS Laptop only support Mirror Mode.
Like A + A + A + A or A + B + B + B.
2. Single Monitor resolution can up to 2K/4K@30Hz/60Hz. When connect to 2 or 3 external monitors, the max TOTAL (Sum) resolution of 2 or 3 monitors and host laptop screen is 4K@30Hz/60Hz [Depending on whether your laptop's USB C protocol is DP1.2 (4K/30Hz) or DP1.4 (4K/60Hz)].

For Windows

Mirror Mode



Extend Mode



Notes:

1. Windows Laptop can support both Mirror Mode and Extend Mode.
Like A + A + A + A or A + B + C + D.
2. Single Monitor resolution can up to 2K/4K@30Hz/60Hz. When connect to 2 or 3 external monitors, the max TOTAL (Sum) resolution of 2 or 3 monitors and host laptop screen is 4K@30Hz/60Hz [Depending on whether your laptop's USB C protocol is DP1.2 (4K/30Hz) or DP1.4 (4K/60Hz)].

The following connections are not feasible and will result in no video output or recognition

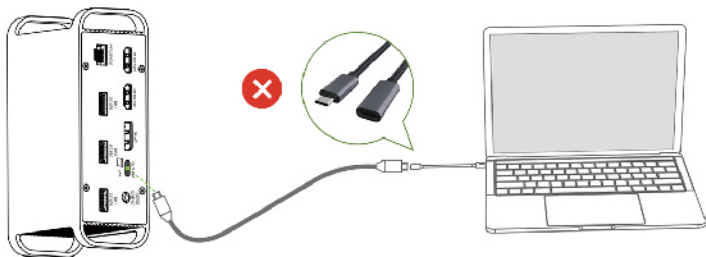
- ✘ DP to HDMI adapter or HDMI to DP adapter



- ✘ USB C Female to USB A male Adapter



X Type C Extension Cable



Tips:

Any dock doesn't create value-added function, any function/signals which supported by the USB docking station are from the host laptop.
(If your laptop only support 4K/30Hz (DP1.2), the docking will also output 4K/30Hz instead of 4K/60Hz).

Compatible Devices (Not Full List):

HP laptops:

HP EliteBook 850 G6/HP EliteBook 755 G5/HP EliteBook 840 G5-G8/HP Elitebook 845 G7/HP Probook 450 G8/HP EliteBook 850 G7/G8/HP Probook X360 435 G7.

Dell Laptops:

Dell Latitude 7320/Dell Latitude 5521/Dell Latitude 5510/Dell Latitude 7400/Dell Latitude 5310/Dell Latitude 5511/Dell Latitude 7420/Dell Latitude 7490/Dell Latitude 5390/Dell Latitude 5380, Dell XPS 13/17.

Apple Laptops:

MacBook Pro 2022/2021/2020/2019/2018/2017,
MacBook Air 2022/2021/2020/2019/2018/2017 (Mirror Mode Only).

Microsoft Laptop:

Surface Pro7/Surface Go 2/Surface Pro 8/Surface Laptop 4/Surface Laptop 3/
Surface Book2.

Some questions and suggestions

Q: What can we do if the external monitors are not bright?

A: Check and be sure all the HDMI/DP cables and USB C cable connected well.

Q: Why this docking station support max 4K/60Hz, but monitor displays resolution is 4k/30Hz?

A: For this issue, this USB-C Hub supports Max 4K@60Hz resolution, but the actual display resolution depends on whether the USB C protocol on the host laptop is DP1.4 (For 4K/60Hz) or DP1.2 (For 4K/30Hz).

Q: Why does your monitor screen flash or become black when you extend one or more monitors?

A: There are two conditions. On one hand, the computer could have possibly entered power-saving mode. Switch your computer to high performance mode or disable power-saving mode. On the other hand, this docking supports max 4K/60Hz and the total resolution of the monitors cannot exceed 4K/60Hz for Windows. Otherwise, one or some of the monitors cannot work well. For MacOS, single display cannot exceed the max resolution of the host laptop supported.

Thank You