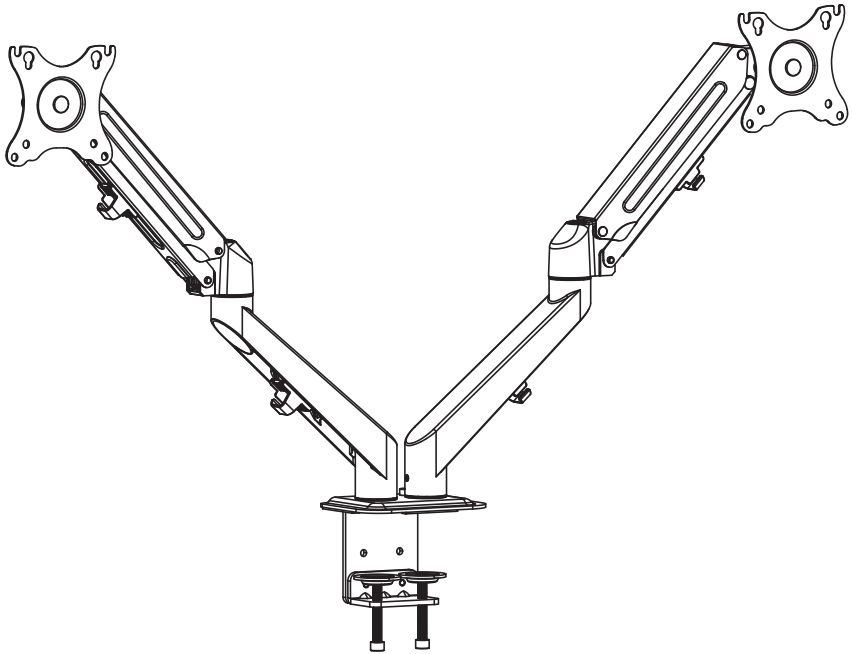



Full Steel Solid Gas Spring Monitor Mount



AG6-42


VESA
75*75mm/100*100mm


17 " — 27 "


kg
2-6.5KG
(4.4-14.3lbs)

IMPORTANT SAFETY INFORMATION

CAUTION: Avoid potential personal injuries and property damage!

- Do not use this product for any purpose that is not explicitly specified in this manual. Do not exceed weight capacity. We are not liable for damage or injury caused by improper mounting, incorrect assembly or inappropriate use.
- This product contains a high pressure gas spring, fire and percussion prohibited. Also it is strictly prohibited to dismantle without professionals. Please return to the manufacturer or hand over to professional agencies if the product is abandoned.
- The desk must be capable of supporting three times the weight of the total load (the mount, the monitor and all accessories weight). Don't use the product on particle board.

Weight Restrictions



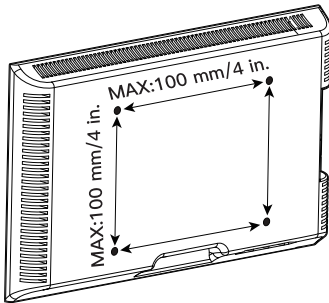
If your monitor weighs more, this mount is NOT compatible.



WARNING

DO NOT exceed the maximum weight indicated. This mounting system is intended for use only within the maximum weights indicated. Use with products heavier than the maximum weights indicated may result in failure of the mount and its accessories, causing possible damage and or injury.

Check the VESA Pattern of Your Monitor before You Begin the Installation

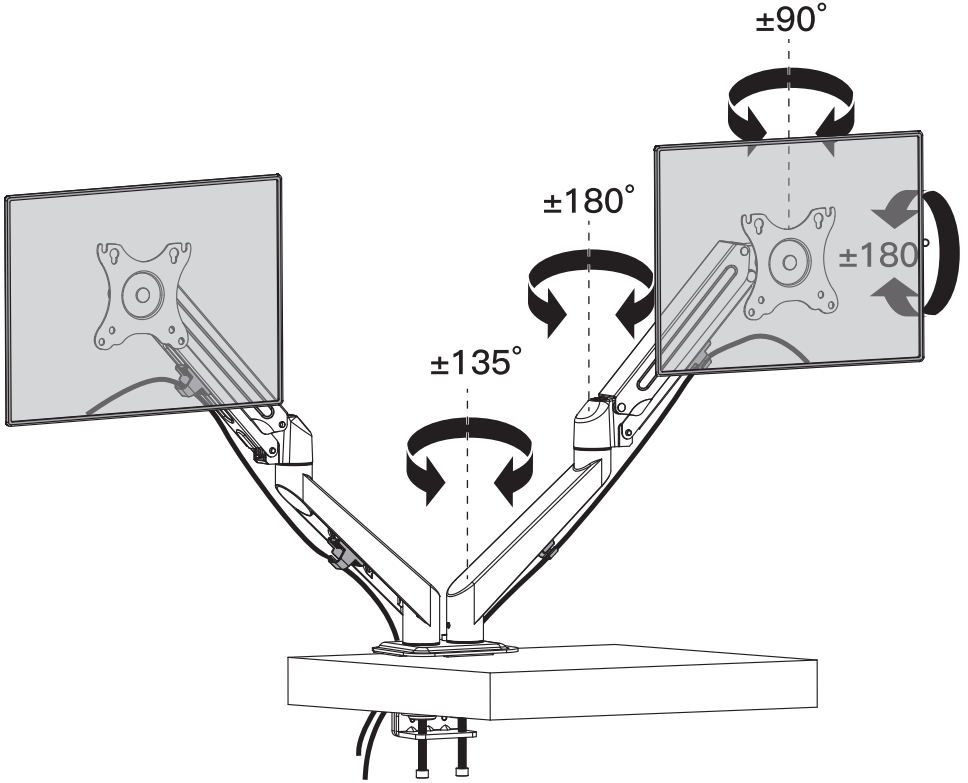


75 mm \approx 3 in.
100 mm \approx 4 in.

Minimum VESA pattern:
75mm/3 in.(W)x75mm/3 in.(H)

If your monitor VESA is greater than 100x100 mm/4x4 in. or less than VESA 75x75mm/3x3in., this mount is NOT compatible.

Product Features



TENSION ADJUSTMENT SHOULD BE DONE ONLY
AFTER MOUNT INSTALLATION



Do not adjust tension without monitor.

1. Ensure monitor has been attached to the mount.
2. Read your monitor box or manual to find out monitor net weight.
3. Ensure the net weight of monitor (including accessories) is between 2-6.5kg(4.4-14.3lbs)



Clockwise to reduce
tension(carry less weight)

Counter-clockwise to increase
tension(carry more weight)

Warning!



Tools Needed (Not Included)



Phillips Screwdriver



Drill



Wood Drill
10-12mm (25/64 in.-15/32 in.)

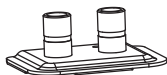
Supplied Parts and Hardware

⚠Warning: This product contains small items that could be a choking hazard if swallowed.

Before starting assembly, verify all parts are included and undamaged. Do not use damaged or defective parts.

- Please note: Not all hardware included in this package will be used.

Supplied Parts and Hardware for Step 1



Base
B (x1)



C-Clamp
C (x1)



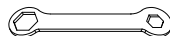
C-Clamp Plate
D (x2)



Bolt
E (x2)



13/64 in.(5mm)
Large Allen Key
G (x1)



Wrench
H (x1)



Support Plate
I (x1)

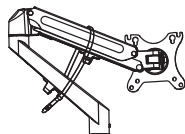


J (x1)
Nut



K (x1)
Bolt

Supplied Parts and Hardware for Step 2



Arm Assembly
A (x2)



3/32 in.(2.5mm)
Small Allen Key
F (x1)

Supplied Hardware for Step 3



Bolt
M4x12mm
M-A (x8)



Bolt
M5x12mm
M-B (x8)



D5 Washer
M-C (x8)



13/64 in.(5mm)
Large Allen Key
G (x1)

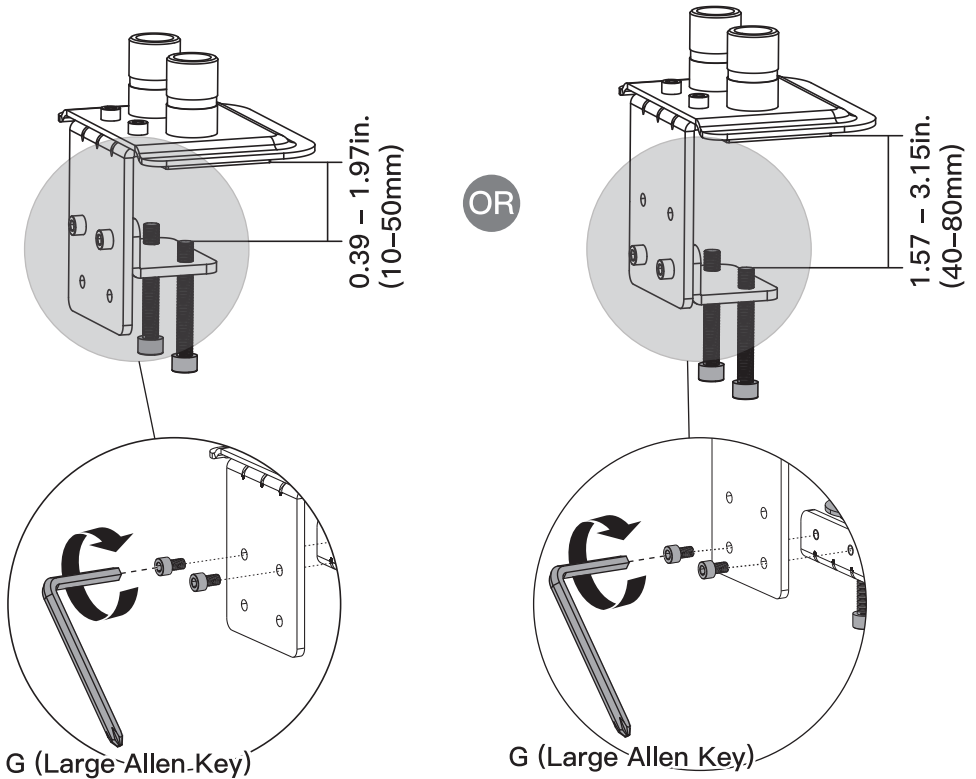
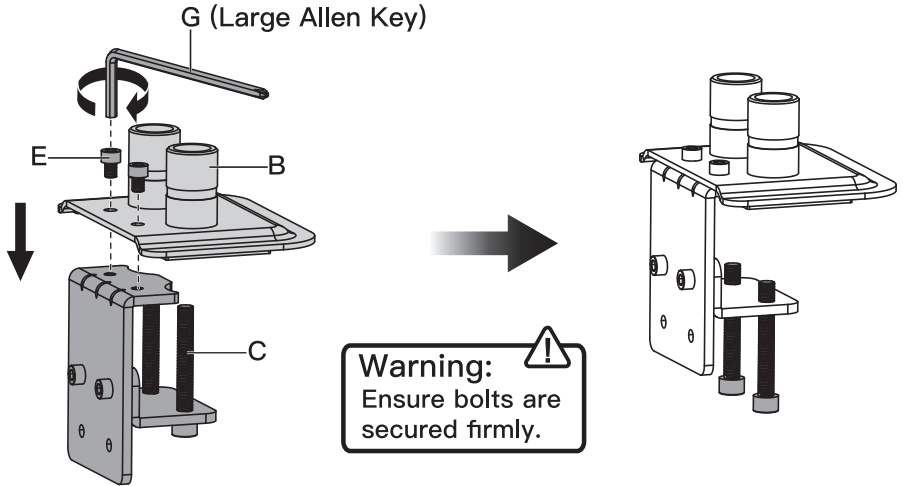
Supplied Hardware for Step 4 and 5

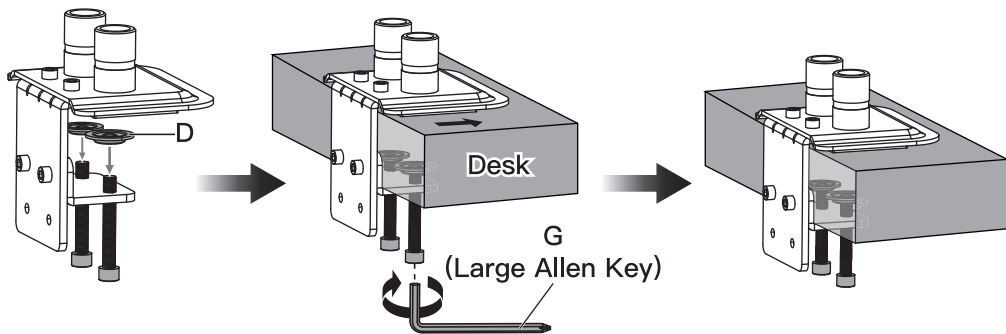


13/64 in.(5mm)
Large Allen Key
G (x1)

1. Install the Base

A. For Clamp Mounting

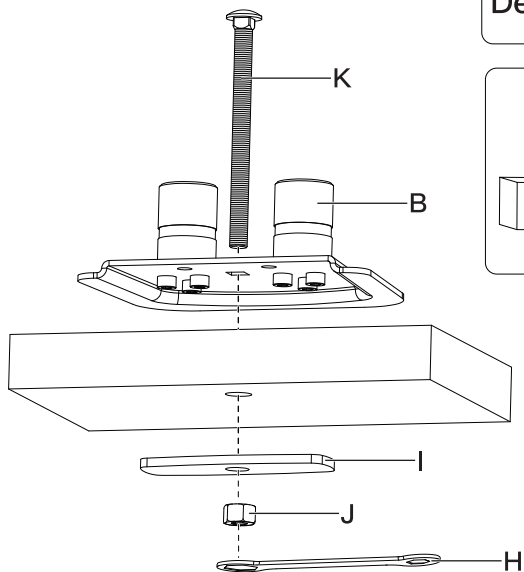
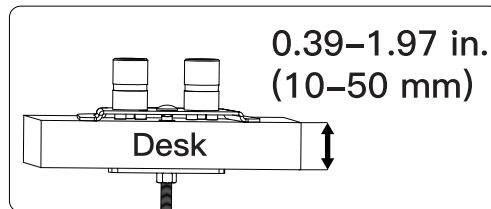
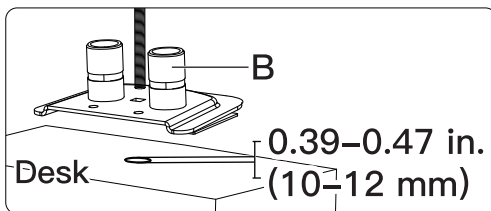




B. For Grommet Mounting

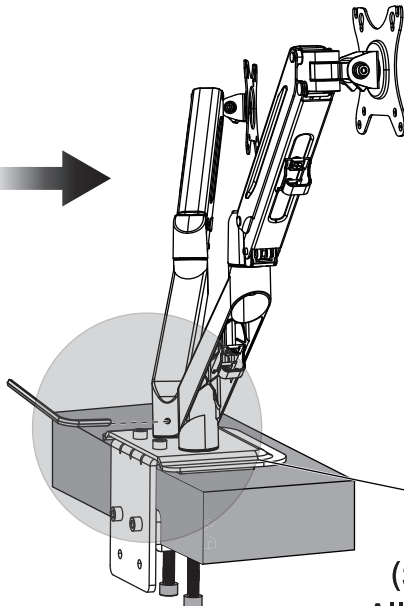
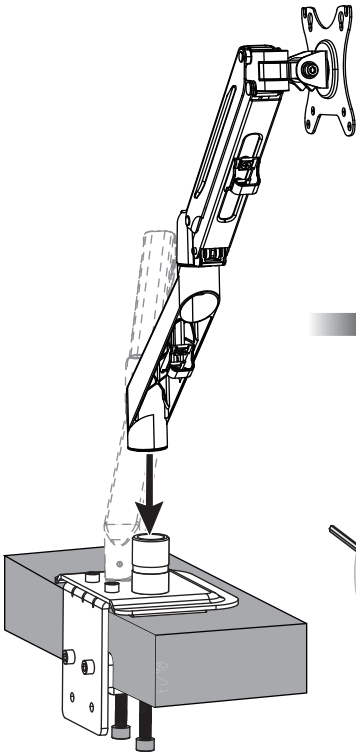
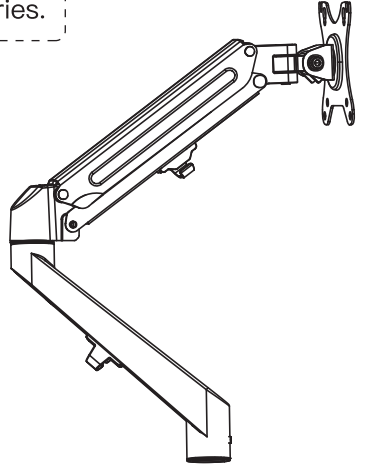
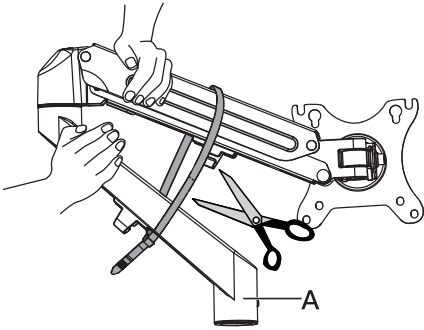
Warning:  Ensure bolts are secured firmly.

If there is no grommet hole on your desk, position the base [B] on the mounting surface and mark the hole. Drill a hole using the drill bit in a diameter of 0.39 in.(10mm) – 0.47 in.(12mm) at the marked position through the mounting surface.



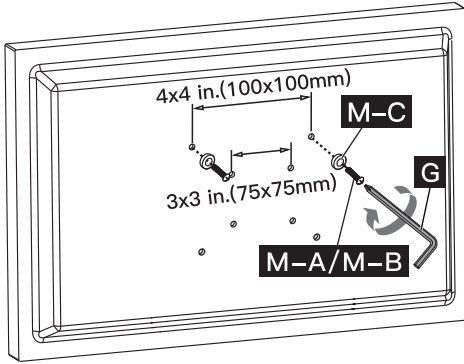
2. Install the Arm Assembly to Base

Warning: Slowly unfold the arm to avoid any injuries.

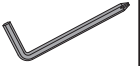


F
(Small
Allen Key)

3. Attach Monitor to the Arm



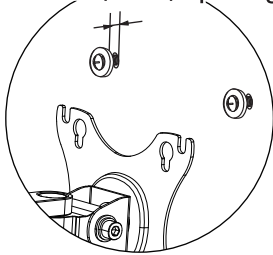
G



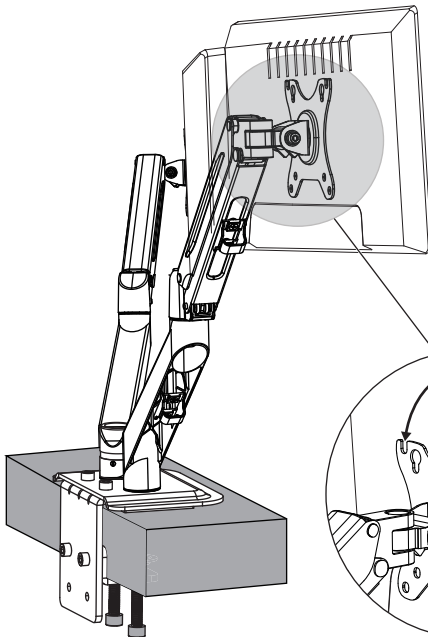
Secure 2 pcs bolts into the top VESA holes on the back of the monitor manually.

3 in. (75mm)x3 in. (75mm)
4 in.(100mm)x4 in.(100mm)

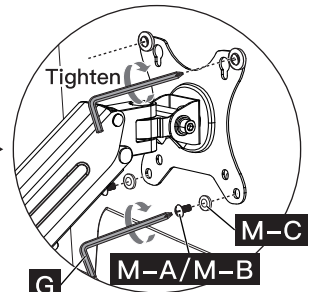
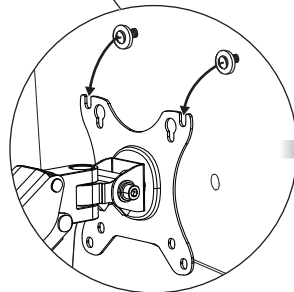
0.12 in.(3mm)-spacing left



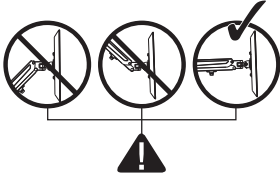
Please keep about 0.12 in.(3mm) spacing left for the two bolts.



HEAVY! You may need assistance with this step.



4. Adjust Gas Spring Tension

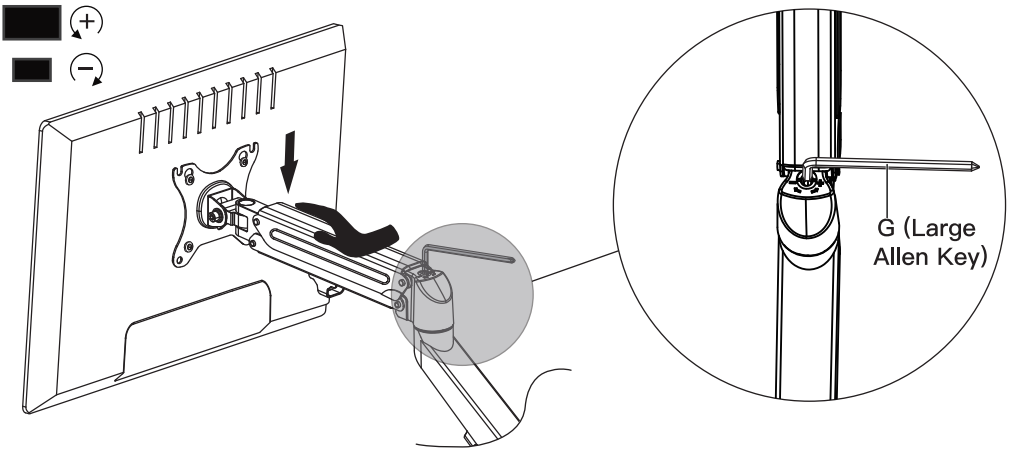


Be sure to keep the arm in horizontal position during adjustment. Or else, it would be difficult to adjust the mount or damage the mount.

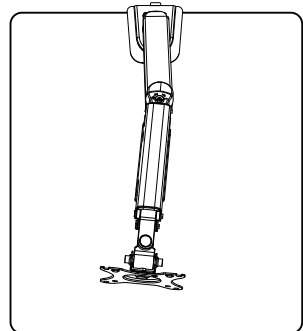
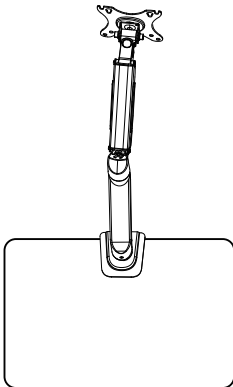
1. If the monitor can stay at the desired height by itself, no adjustment needed.

2. If the monitor rises up, press the arm to keep it in horizontal position and then use the Large Allen Key (G) to turn the bolt clockwise (“-” direction) to reduce tension of the arm only until the monitor can stay at the desired height by itself.

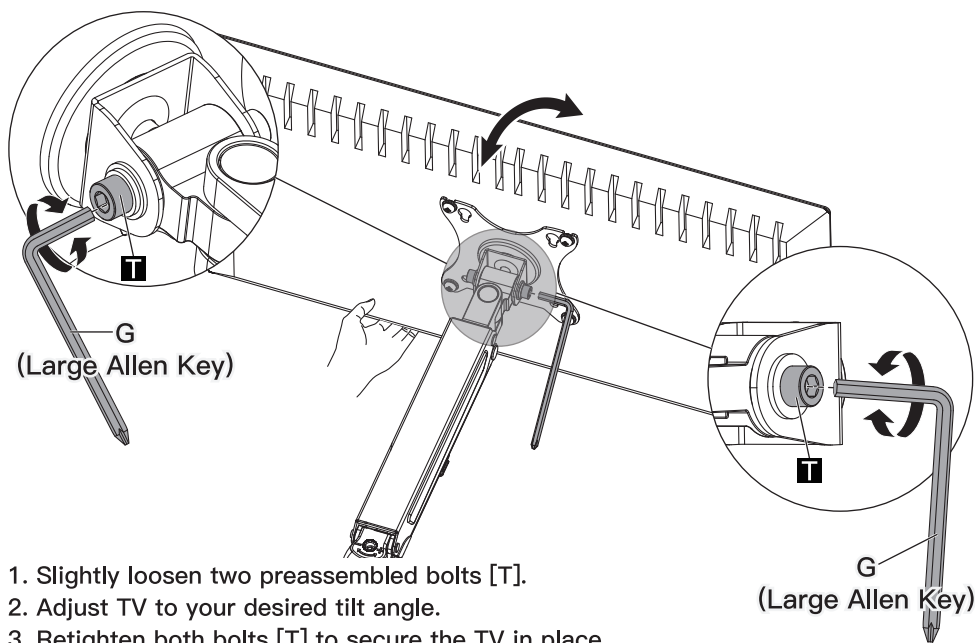
3. If the monitor falls down, lift the arm to keep it in horizontal position and then use the Large Allen Key (G) to turn the bolt counter-clockwise (“+” direction) to increase tension of the arm only until the monitor can stay at the desired height by itself.



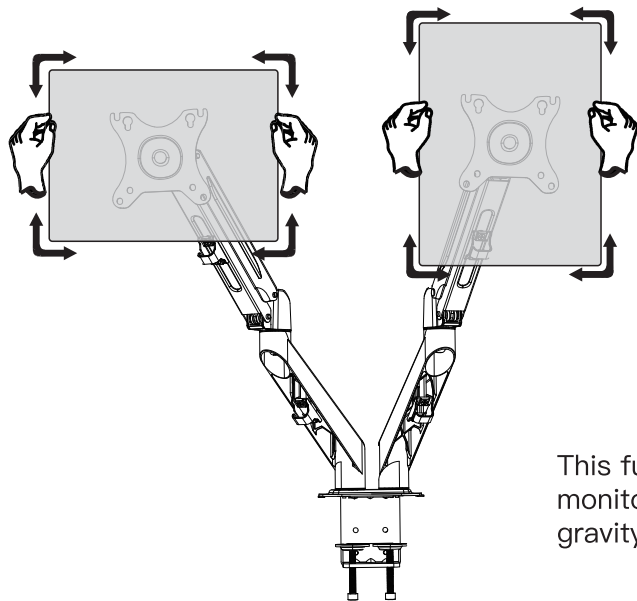
Hold the arm in the position as shown when adjusting the counterbalance, this will ensure the arm is balanced throughout its range of motion.



5. Tilt Adjustment



6. Rotation Adjustment



7. Route Cables along the Arm

