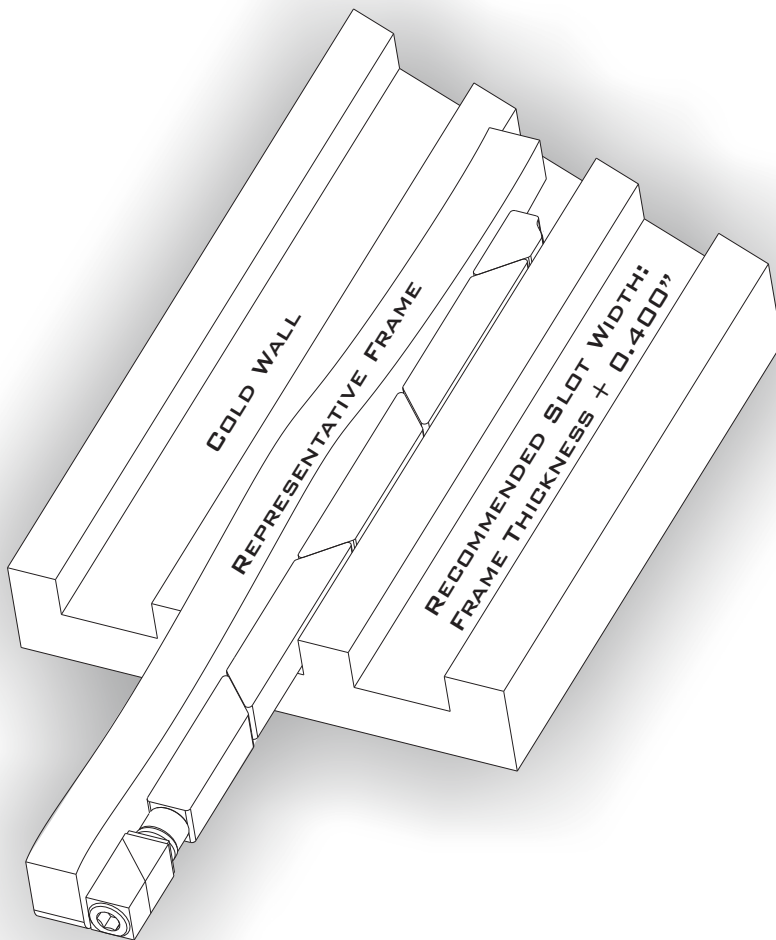
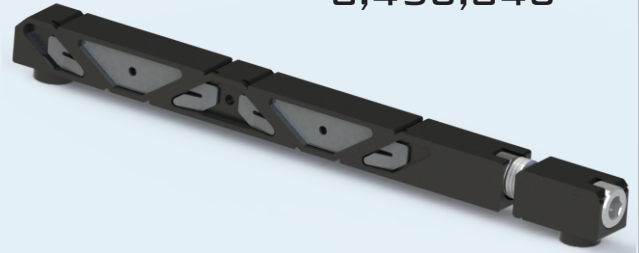


THE SOLID WEDGE SERIES REPRESENTS AN INNOVATIVE APPROACH TO CREATE A SIGNIFICANTLY HIGHER THERMAL PERFORMANCE FOR PRINTED CIRCUIT BOARDS WITH LARGE THERMAL LOADS IN CONDUCTION COOLED APPLICATIONS.

US PATENT
8,456,846



THERMAL RESISTANCE:

SW7-455-375-375 = 0.07°C/W
(RESISTANCE PER WEDGE LOCK)

FEATURES:

- SUPERIOR CLAMPING FORCE
- MASS: 28.264 G
- ZERO INSERTION FORCE
- SELF RETRACTING SEGMENTS
- POSITIVE DRIVE SYSTEM
- LARGEST DRIVE SCREW AVAILABLE
- SUPERIOR PLATING ENDURANCE
- MODELS AVAILABLE FOR DOWNLOAD
- TORQUE TO 15-30 IN-LBS
- HELICOIL INSERT FOR HIGHER SUSTAINED CLAMPING FORCE

MATERIALS:

- ALUMINUM ALLOYS:
- ACTIVE WEDGES 6061-T6
- 300 SERIES STAINLESS STEEL:
(PASSIVATED PER AMS - 2700)
- WASHERS
- HEX DRIVE SCREW
- ROUND LOCKNUT
- WIRE HELICOIL INSERT
- NITRONIC 60

THE SOLIDWEDGE DESIGN PROVIDES THREE TIMES THE THERMAL CONTACT AREA OF CONVENTIONAL WEDGE LOCKS. THE DESIGN ALSO FEATURES A LARGER SCREW SIZE WHICH CREATES HIGHER CONTACT FORCES BETWEEN THE HEAT FRAME AND COLD WALL SURFACES, WHICH SIGNIFICANTLY IMPROVES THERMAL PERFORMANCE. THE INTERCONNECTED LINKS OF THE SOLIDWEDGE ALSO PROVIDE FOR A POSITIVE RETRACTION OF ALL SEGMENTS WITHOUT THE USE OF SPRINGS OR OTHER MECHANISMS.

PART NUMBER BUILDER

SW7 - 455 - 375 - 375 - XXX - XX - YY

HEIGHT 0.375"	WIDTH 0.375"	HEX DRIVE	FINISH	OTHER OPTIONS
4.55" MTG HOLE SPACING - <u>455</u>		5/32" HEX KEY - <u>532</u> M4 HEX KEY - <u>M4</u>	- <u>NL</u> - NYLOK LOCK PATCH	
7 ACTIVE SEGMENTS - <u>7</u>				
SOLIDWEDGE - <u>SW</u>				

BLACK ANODIZE PER MIL-A-8625, TYPE II, CLASS 2 - BA
 HARD BLACK ANODIZE PER MIL-A-8625, TYPE III, CLASS 3 - BH
 CHEMICAL FILM PER MIL-C-5541, CLASS 1A, CLEAR - CC
 CHEMICAL FILM PER MIL-C-5541, CLASS 1A, GOLD, NON-ROHS - CG
 ELECTROLESS NICKEL PER MIL-C-26074, CLASS 4, GRADE B, BRIGHT - EN

X - REQUIRED VARIABLE
Y - OPTIONAL VARIABLE

EXAMPLE PART#'S:

SW7-455-375-375-332-BH
SW7-455-375-375-764-BA-BV

MOUNTING DETAILS

UNLESS OTHERWISE SPECIFIED

DIMENSIONS ARE IN INCHES.

TOLERANCES:
TWO PLACE DECIMAL: ±.01
THREE PLACE DECIMAL: ±.005

EXPANSION DETAILS

