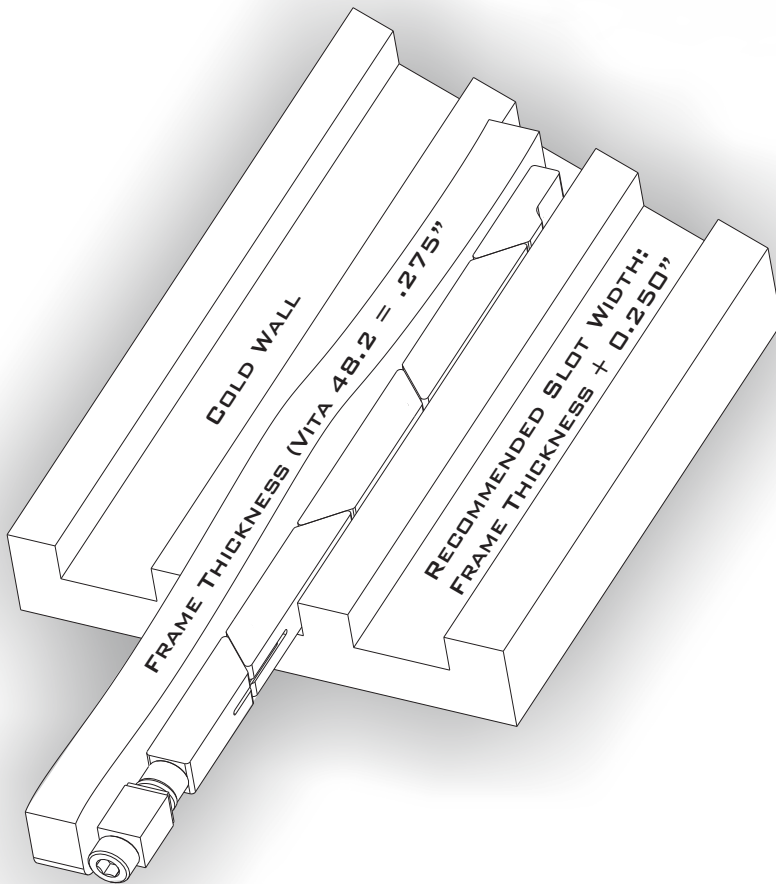
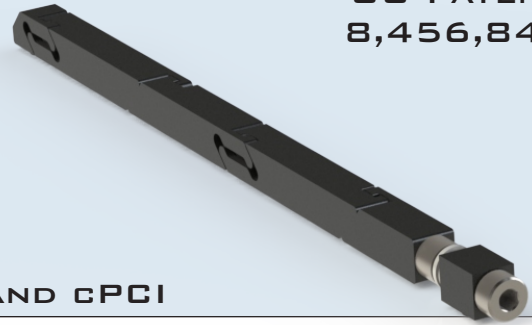


THE SOLID WEDGE SERIES REPRESENTS AN INNOVATIVE APPROACH TO CREATE A SIGNIFICANTLY HIGHER THERMAL PERFORMANCE FOR PRINTED CIRCUIT BOARDS WITH LARGE THERMAL LOADS IN CONDUCTION COOLED APPLICATIONS.

OPTIMIZED FOR VITA 48.2 AND cPCI

US PATENT  
8,456,846



**THERMAL RESISTANCE:**

SW5-48-225-225:

RANGE: 0.09°C/W - 0.14°C/W  
(RESISTANCE PER WEDGE LOCK)

**FEATURES:**

- SUPERIOR CLAMPING FORCE
- ZERO INSERTION FORCE
- LOW PROFILE DESIGN
- SELF RETRACTING SEGMENTS
- POSITIVE DRIVE SYSTEM
- LARGEST DRIVE SCREW AVAILABLE
- SUPERIOR PLATING ENDURANCE
- OPTIMIZED FOR VITA 48.2
- MODELS AVAILABLE FOR DOWNLOAD
- TORQUE TO 6-10 IN-LBS

**MATERIALS:**

**ALUMINUM ALLOYS:**

- ACTIVE WEDGE SEGMENTS 6061-T6
- FRONT MOUNTING BLOCK 7075

**300 SERIES STAINLESS STEEL:**

(PASSIVATED PER AMS - 2700)

- WASHERS
- ROUND NUT
- HEX DRIVE SCREW

THE SOLIDWEDGE DESIGN PROVIDES THREE TIMES THE THERMAL CONTACT AREA OF CONVENTIONAL WEDGE LOCKS. THE DESIGN ALSO FEATURES A LARGER SCREW SIZE WHICH CREATES HIGHER CONTACT FORCES BETWEEN THE HEAT FRAME AND COLD WALL SURFACES, WHICH SIGNIFICANTLY IMPROVES THERMAL PERFORMANCE.

THE INTERCONNECTED LINKS OF THE SOLIDWEDGE ALSO PROVIDE FOR A POSITIVE RETRACTION OF ALL SEGMENTS WITHOUT THE USE OF SPRINGS OR OTHER MECHANISMS.

## PART NUMBER BUILDER

SW5 - 48 - 225 - 225 - XXX - XX - YY

HEIGHT 0.225"	WIDTH 0.225"	HEX DRIVE	FINISH	OTHER OPTIONS
4.8" MTG HOLE SPACING - <u>48</u>		3/32" HEX KEY - <u>332</u> 2.5MM HEX KEY - <u>M25</u> 7/64" HEX KEY - <u>764</u>	<ul style="list-style-type: none"> <li>- <u>BV</u> - BELLEVILLE WASHERS</li> <li>- <u>NL</u> - NYLOK LOCK PATCH</li> <li>- <u>HC</u> - HELICOIL INSERTION</li> </ul>	
5 ACTIVE SEGMENTS - <u>5</u>				
SOLIDWEDGE - <u>SW</u>				
<p>BLACK ANODIZE PER MIL-A-8625, TYPE II, CLASS 2 - <u>BA</u>          HARD BLACK ANODIZE PER MIL-A-8625, TYPE III, CLASS 3 - <u>BH</u>          CHEMICAL FILM PER MIL-C-5541, CLASS 1A, CLEAR - <u>CC</u>          CHEMICAL FILM PER MIL-C-5541, CLASS 1A, GOLD, NON-ROHS - <u>CG</u>          ELECTROLESS NICKEL PER MIL-C-26074, CLASS 4, GRADE B, BRIGHT - <u>EN</u></p>				

X - REQUIRED VARIABLE  
Y - OPTIONAL VARIABLE

EXAMPLE PART#'S:

SW5-48-225-225-332-BH  
SW5-48-225-225-764-BA-BV

## MOUNTING DETAILS

UNLESS OTHERWISE SPECIFIED  
DIMENSIONS ARE IN INCHES.  
TOLERANCES:  
TWO PLACE DECIMAL: ±.01  
THREE PLACE DECIMAL: ±.005

EXPANSION DETAILS

NOMINAL EXPANSION: .025"

MAXIMUM EXPANSION: .050"

