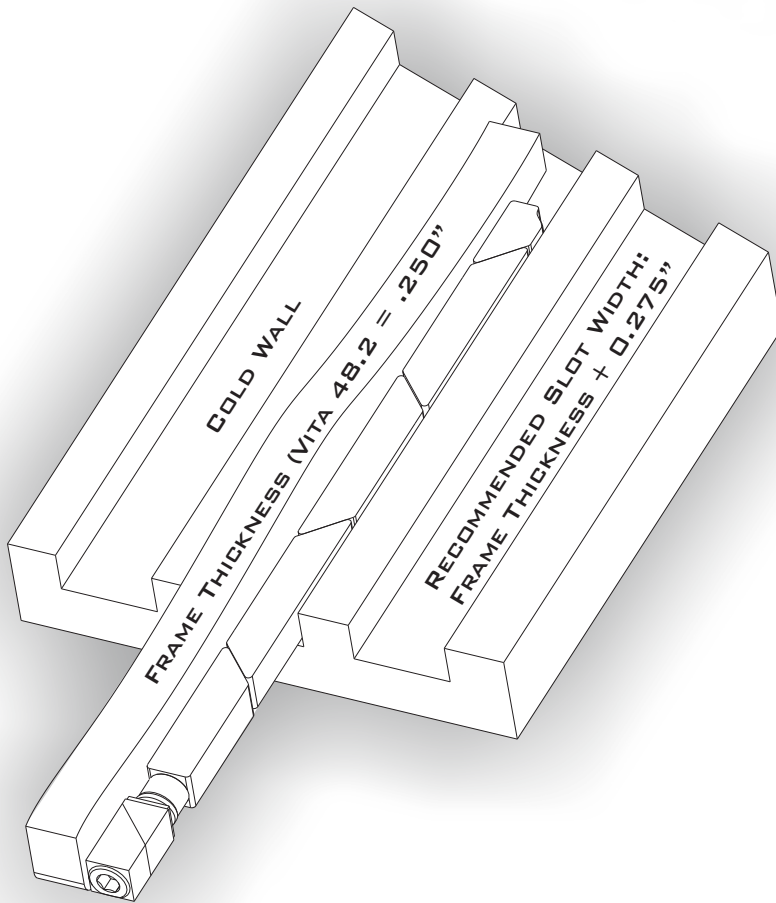


THE SOLID WEDGE SERIES REPRESENTS AN INNOVATIVE APPROACH TO CREATE A SIGNIFICANTLY HIGHER THERMAL PERFORMANCE FOR PRINTED CIRCUIT BOARDS WITH LARGE THERMAL LOADS IN CONDUCTION COOLED APPLICATIONS.

OPTIMIZED FOR VITA 48.2 AND GPCI

US PATENT
8,456,846



THERMAL RESISTANCE:

SW5-475-250-250 = 0.09°C/W
(RESISTANCE PER WEDGE LOCK)

FEATURES:

- SUPERIOR CLAMPING FORCE
- ZERO INSERTION FORCE
- LOW PROFILE DESIGN
- SELF RETRACTING SEGMENTS
- POSITIVE DRIVE SYSTEM
- LARGEST DRIVE SCREW AVAILABLE
- SUPERIOR PLATING ENDURANCE
- OPTIMIZED FOR VITA 48.2
- MODELS AVAILABLE FOR DOWNLOAD
- TORQUE TO 6-10 IN-LBS

MATERIALS:

ALUMINUM ALLOYS:

- ACTIVE WEDGE SEGMENTS 6061-T6
- FRONT MOUNTING BLOCK 7075-T6

300 SERIES STAINLESS STEEL:

(PASSIVATED PER AMS - 2700)

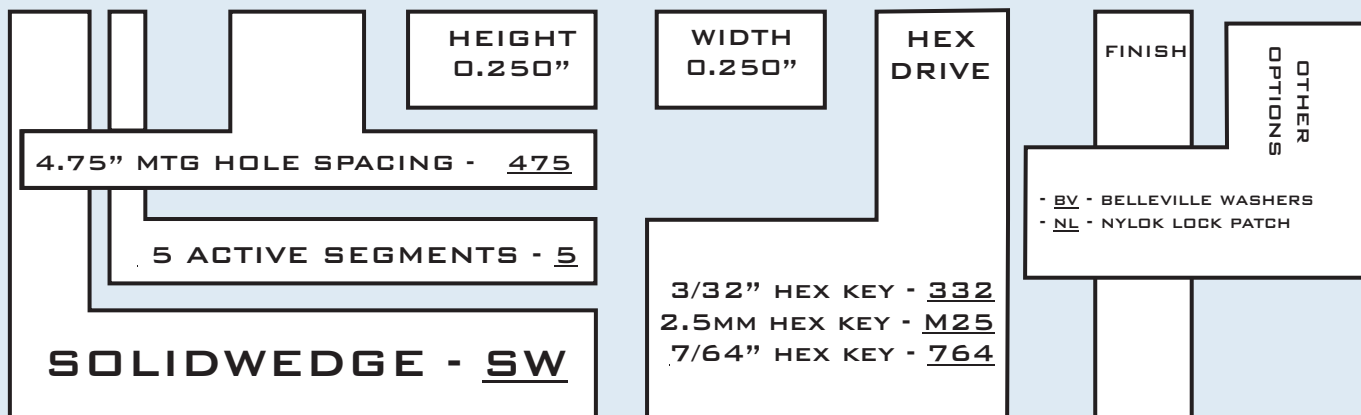
- WASHERS
- ROUND NUT
- HEX DRIVE SCREW

THE SOLIDWEDGE DESIGN PROVIDES THREE TIMES THE THERMAL CONTACT AREA OF CONVENTIONAL WEDGE LOCKS. THE DESIGN ALSO FEATURES A LARGER SCREW SIZE WHICH CREATES HIGHER CONTACT FORCES BETWEEN THE HEAT FRAME AND COLD WALL SURFACES, WHICH SIGNIFICANTLY IMPROVES THERMAL PERFORMANCE.

THE INTERCONNECTED LINKS OF THE SOLIDWEDGE ALSO PROVIDE FOR A POSITIVE

PART NUMBER BUILDER

SW5 - 475 - 250 - 250 - XXX - XX - YY



BLACK ANODIZE PER MIL-A-8625, TYPE II, CLASS 2 - BA
HARD BLACK ANODIZE PER MIL-A-8625, TYPE III, CLASS 3 - BH
CHEMICAL FILM PER MIL-C-5541, CLASS 1A, CLEAR - CC
CHEMICAL FILM PER MIL-C-5541, CLASS 1A, GOLD, NON-ROHS - CG
ELECTROLESS NICKEL PER MIL-C-26074, CLASS 4, GRADE B, BRIGHT - EN

X - REQUIRED VARIABLE
Y - OPTIONAL VARIABLE
EXAMPLE PART#'S:
SW5-475-250-250-332-BH
SW5-475-250-250-764-BA-BV

MOUNTING DETAILS

UNLESS OTHERWISE SPECIFIED
DIMENSIONS ARE IN INCHES.
TOLERANCES:
TWO PLACE DECIMAL: ±.01
THREE PLACE DECIMAL: ±.005

