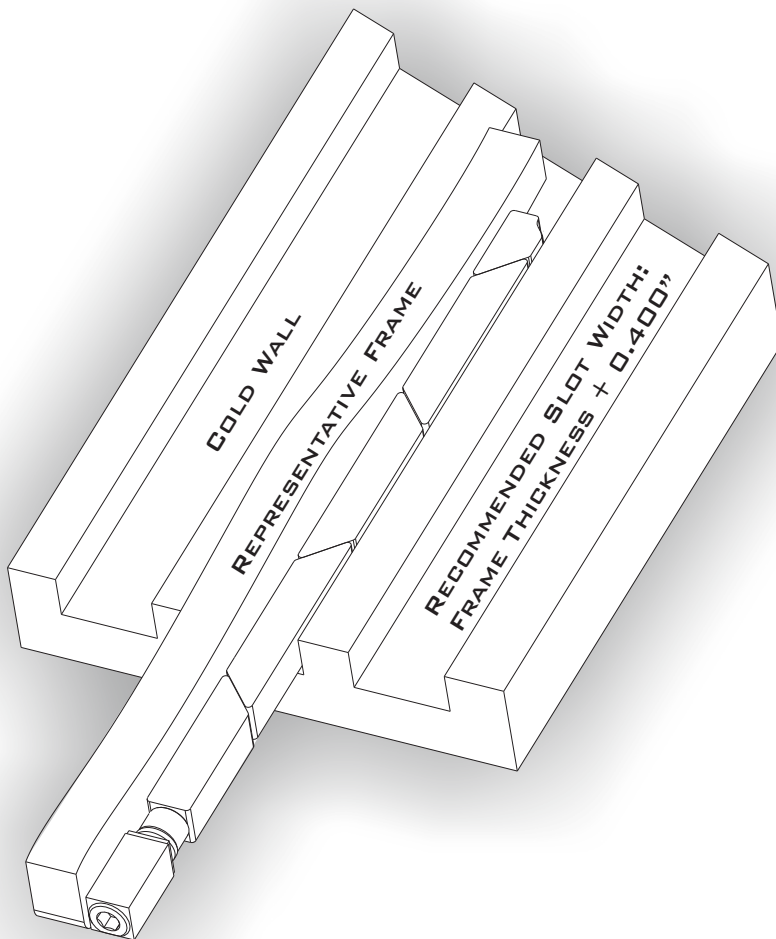
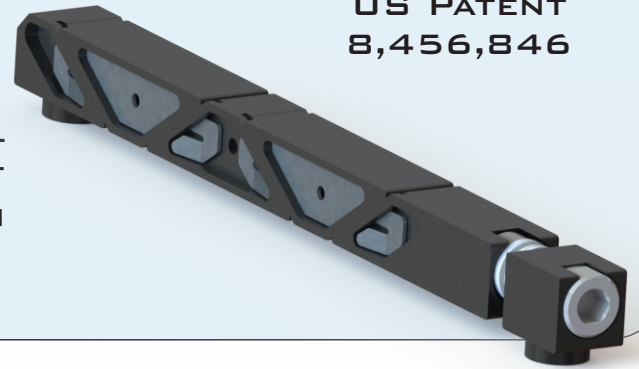


THE SOLID WEDGE SERIES REPRESENTS AN INNOVATIVE APPROACH TO CREATE A SIGNIFICANTLY HIGHER THERMAL PERFORMANCE FOR PRINTED CIRCUIT BOARDS WITH LARGE THERMAL LOADS IN CONDUCTION COOLED APPLICATIONS.

US PATENT  
8,456,846



**THERMAL RESISTANCE:**

SW5-43-375-375 = 0.08°C/W  
(RESISTANCE PER WEDGE LOCK)

**FEATURES:**

- SUPERIOR CLAMPING FORCE
- ZERO INSERTION FORCE
- SELF RETRACTING SEGMENTS
- POSITIVE DRIVE SYSTEM
- LARGEST DRIVE SCREW AVAILABLE
- SUPERIOR PLATING ENDURANCE
- NO FOD BELLEVILLE LOCK WASHERS
- TORQUE TO 15-30 IN-LBS
- HELICOIL INSERT FOR HIGHER SUSTAINED CLAMPING FORCE

**MATERIALS:**

**ALUMINUM ALLOYS:**

- ACTIVE WEDGE SEGMENTS 6061-T6
- FRONT MOUNTING BLOCK 7075

**300 SERIES STAINLESS STEEL:**

(PASSIVATED PER AMS - 2700)

- FLAT AND BELLEVILLE WASHERS
- HEX DRIVE SCREW
- ROUND LOCKNUT

**HELICOIL WIRE INSERT**

- NITRONIC 60

THE SOLIDWEDGE DESIGN PROVIDES THREE TIMES THE THERMAL CONTACT AREA OF CONVENTIONAL WEDGE LOCKS. THE DESIGN ALSO FEATURES A LARGER SCREW SIZE WHICH CREATES HIGHER CONTACT FORCES BETWEEN THE HEAT FRAME AND COLD WALL SURFACES, WHICH SIGNIFICANTLY IMPROVES THERMAL PERFORMANCE. THE INTERCONNECTED LINKS OF THE SOLIDWEDGE ALSO PROVIDE FOR A POSITIVE RETRACTION OF ALL SEGMENTS WITHOUT THE USE OF SPRINGS OR OTHER MECHANISMS.

## PART NUMBER BUILDER

SW5 - 43 - 375 - 375 - XXX - XX - YY

HEIGHT 0.375"	WIDTH 0.375"	HEX DRIVE	FINISH	OTHER OPTIONS
4.3" MTG HOLE SPACING - <u>43</u>	5/32" HEX KEY - <u>532</u> M4 HEX KEY - <u>M4</u>	- <u>BV</u> - BELLEVILLE WASHERS - <u>NL</u> - NYLOK LOCK PATCH		
SOLIDWEDGE - <u>SW</u>				

BLACK ANODIZE PER MIL-A-8625, TYPE II, CLASS 2 - BA  
 HARD BLACK ANODIZE PER MIL-A-8625, TYPE III, CLASS 3 - BH  
 CHEMICAL FILM PER MIL-C-5541, CLASS 1A, CLEAR - CC  
 CHEMICAL FILM PER MIL-C-5541, CLASS 1A, GOLD, NON-ROHS - CG  
 ELECTROLESS NICKEL PER MIL-C-26074, CLASS 4, GRADE B, BRIGHT - EN

X - REQUIRED VARIABLE  
Y - OPTIONAL VARIABLE

EXAMPLE PART#'S:

SW5-43-375-375-332-BA  
SW5-43-375-375-764-BA-BV

## MOUNTING DETAILS

UNLESS OTHERWISE SPECIFIED  
DIMENSIONS ARE IN INCHES.  
TOLERANCES:  
TWO PLACE DECIMAL: ±.01  
THREE PLACE DECIMAL: ±.005

EXPANSION DETAILS

NOMINAL EXPANSION: .025"

MAXIMUM EXPANSION: .060"

