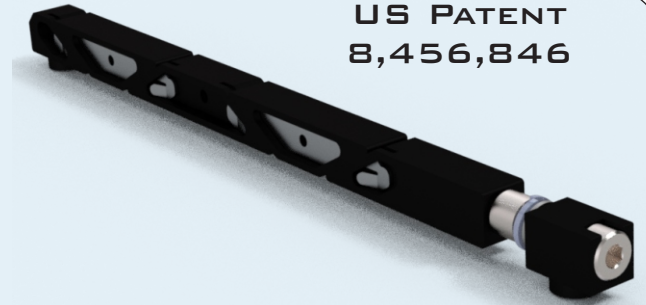


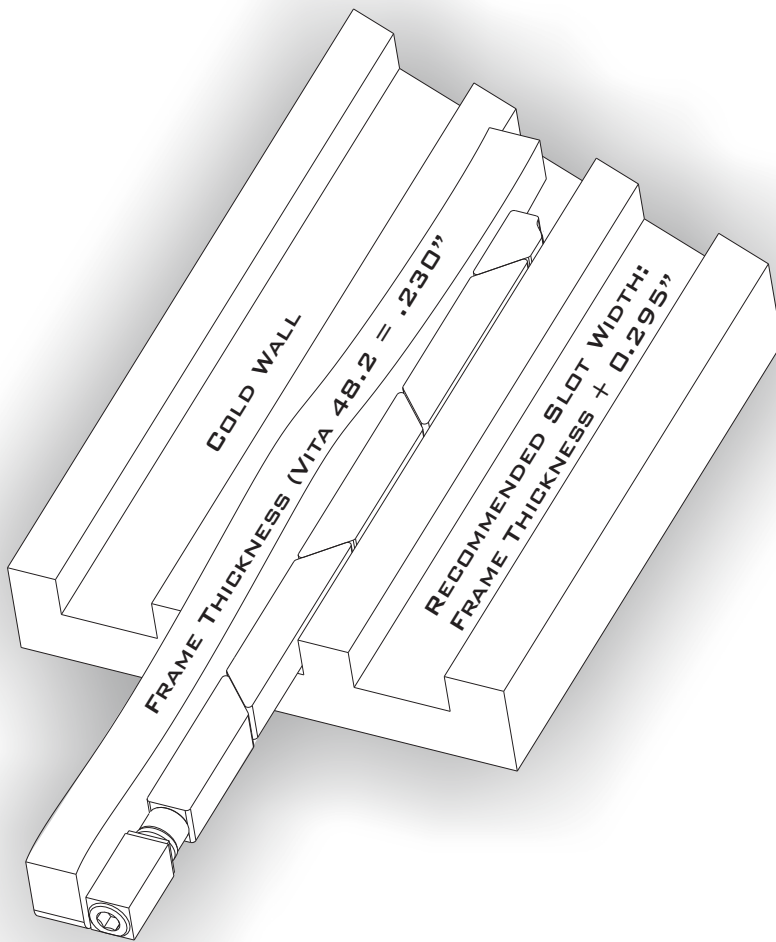


THE SOLID WEDGE SERIES REPRESENTS AN INNOVATIVE APPROACH TO CREATE A SIGNIFICANTLY HIGHER THERMAL PERFORMANCE FOR PRINTED CIRCUIT BOARDS WITH LARGE THERMAL LOADS IN CONDUCTION COOLED APPLICATIONS.



US PATENT
8,456,846

OPTIMIZED FOR VITA 48.2 AND GPCI



THERMAL RESISTANCE:

SW5-42-275-210-332-XX-30D=0.12°C/W
(RESISTANCE PER WEDGE LOCK)

FEATURES:

- HIGH CLAMPING FORCE
- EXPANDED HIGH PERFORMANCE LIFE WITH HELICOIL INSERT
- ZERO INSERTION FORCE
- ULTRA LOW PROFILE DESIGN
- SELF RETRACTING SEGMENTS DUE TO POSITIVE DRIVE MECHANISM
- SUPERIOR PLATING ENDURANCE DUE TO WIDE WEDGE SEGMENT CONTACT INTERFACES
- MODELS AVAILABLE FOR DOWNLOAD
- TORQUE TO 10 IN-LBS

MATERIALS:

ALUMINUM ALLOYS:

- ACTIVE WEDGE SEGMENTS 6061-T6
- FRONT MOUNTING BLOCK 7075-T6

300 SERIES STAINLESS STEEL:

(PASSIVATED PER AMS - 2700)

- WASHERS
- ROUND NUT
- HEX DRIVE SCREW

HELICOIL WIRE INSERT

- NITRONIC 60

THE SOLIDWEDGE DESIGN PROVIDES THREE TIMES THE THERMAL CONTACT AREA OF CONVENTIONAL WEDGE LOCKS. THE DESIGN ALSO FEATURES A LARGER SCREW SIZE WHICH CREATES HIGHER CONTACT FORCES BETWEEN THE HEAT FRAME AND COLD WALL SURFACES, WHICH SIGNIFICANTLY IMPROVES THERMAL PERFORMANCE.

THE INTERCONNECTED LINKS OF THE SOLIDWEDGE ALSO PROVIDE FOR A POSITIVE RETRACTION OF ALL SEGMENTS WITHOUT THE USE OF SPRINGS OR OTHER MECHANISMS.





PART NUMBER BUILDER

SW5- 43 - 275 - 210 - 332 - BH - 30D

	HEIGHT 0.275"	WIDTH 0.210"	HEX DRIVE 3/32" - 332 2.5MM - M25 7/64" - 764	FINISH 30° WEDGE SEGMENTS
	4.30" MTG HOLE SPACING - 43			
	5 ACTIVE SEGMENTS - 5			
	SOLIDWEDGE - SW			

BLACK ANODIZE PER MIL-A-8625, TYPE II, CLASS 2 - BA
 HARD BLACK ANODIZE PER MIL-A-8625, TYPE III, CLASS 2 - BH
 CHEMICAL FILM PER MIL-C-5541, CLASS 1A, CLEAR - CC
 CHEMICAL FILM PER MIL-C-5541, CLASS 1A, GOLD, NON-ROHS - CG
 ELECTROLESS NICKEL PER MIL-C-26074, CLASS 4, GRADE B, BRIGHT - EN

MOUNTING DETAILS

UNLESS OTHERWISE SPECIFIED
 DIMENSIONS ARE IN INCHES.
 TOLERANCES:
 TWO PLACE DECIMAL: ±.01
 THREE PLACE DECIMAL: ±.005

EXPANSION DETAILS

NOMINAL EXPANSION: .025"
 MAXIMUM EXPANSION: .060"

