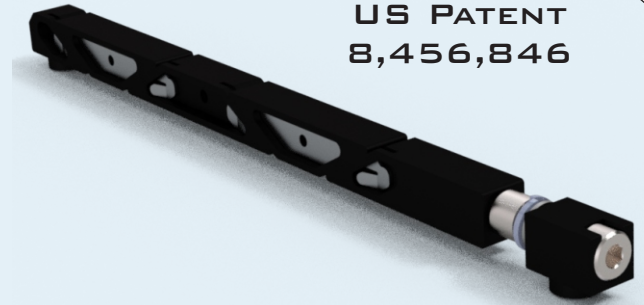
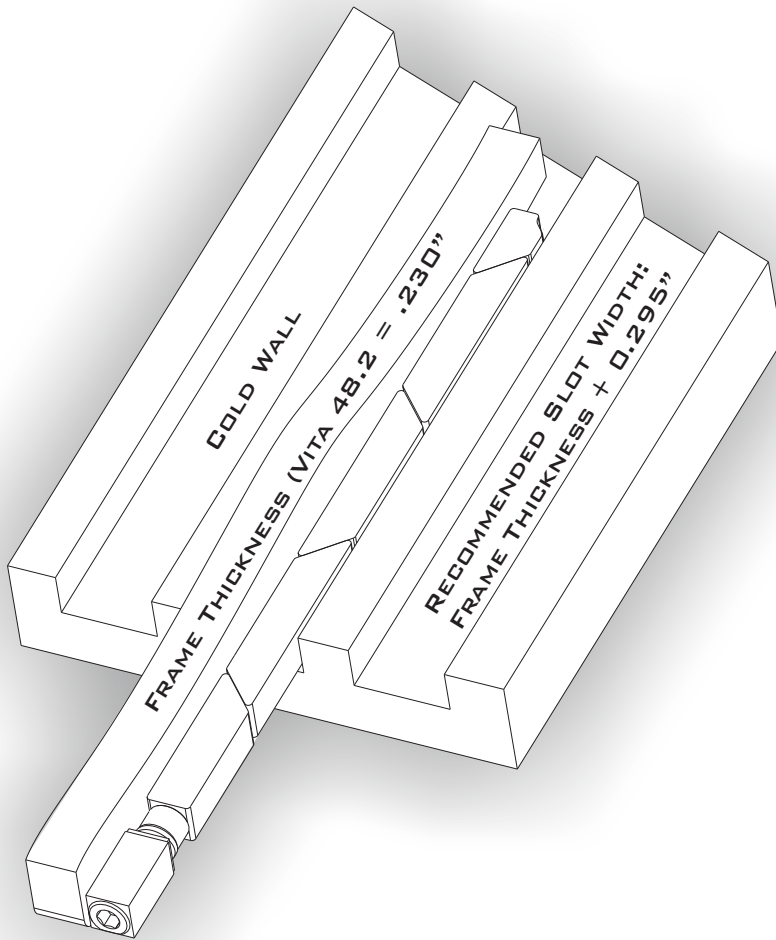


THE SOLID WEDGE SERIES REPRESENTS AN INNOVATIVE APPROACH TO CREATE A SIGNIFICANTLY HIGHER THERMAL PERFORMANCE FOR PRINTED CIRCUIT BOARDS WITH LARGE THERMAL LOADS IN CONDUCTION COOLED APPLICATIONS.



US PATENT  
8,456,846

OPTIMIZED FOR VITA 48.2 AND GPCI



**THERMAL RESISTANCE:**

SW5-43-270-250-XXX-XX-30D=0.11 °C/W  
(RESISTANCE PER WEDGE LOCK)

**FEATURES:**

- ~ 1250 LBS CLAMPING FORCE
- EXPANDED WITH HELICOIL INSERT
- ZERO INSERTION FORCE
- LOW PROFILE DESIGN
- SELF RETRACTING SEGMENTS
- POSITIVE DRIVE SYSTEM
- LARGEST DRIVE SCREW AVAILABLE
- SUPERIOR PLATING ENDURANCE
- OPTIMIZED FOR VITA 48.2
- MODELS AVAILABLE FOR DOWNLOAD
- TORQUE TO 6-10 IN-LBS

**MATERIALS:**

**ALUMINUM ALLOYS:**

- ACTIVE WEDGE SEGMENTS 6061-T6
- FRONT MOUNTING BLOCK 7075-T6

**300 SERIES STAINLESS STEEL:**

(PASSIVATED PER AMS - 2700)

- WASHERS
- ROUND NUT
- HEX DRIVE SCREW

**HELICOIL WIRE INSERT**

- NITRONIC 60

THE SOLIDWEDGE DESIGN PROVIDES THREE TIMES THE THERMAL CONTACT AREA OF CONVENTIONAL WEDGE LOCKS. THE DESIGN ALSO FEATURES A LARGER SCREW SIZE WHICH CREATES HIGHER CONTACT FORCES BETWEEN THE HEAT FRAME AND COLD WALL SURFACES, WHICH SIGNIFICANTLY IMPROVES THERMAL PERFORMANCE.

THE INTERCONNECTED LINKS OF THE SOLIDWEDGE ALSO PROVIDE FOR A POSITIVE RETRACTION OF ALL SEGMENTS WITHOUT THE USE OF SPRINGS OR OTHER MECHANISMS.

## PART NUMBER BUILDER

**SW5 - 43 - 270 - 250 - XXX - XX - 30D - YY**

<p>4.3" MTG HOLE SPACING - <u>43</u></p> <p><u>5</u> ACTIVE SEGMENTS - <u>5</u></p> <p>SOLIDWEDGE - <u>SW</u></p>	<p>HEIGHT <u>0.270"</u></p>	<p>WIDTH <u>0.250"</u></p>	<p>HEX DRIVE</p>	<p>FINISH</p>	<p>30° WEDGE SEGMENTS</p>	<p>OTHER OPTIONS</p>
	<p>BLACK ANODIZE PER MIL-A-8625, TYPE II, CLASS 2 - <u>BA</u></p> <p>HARD BLACK ANODIZE PER MIL-A-8625, TYPE III, CLASS 2 - <u>BH</u></p> <p>CHEMICAL FILM PER MIL-C-5541, CLASS 1A, CLEAR - <u>CC</u></p> <p>CHEMICAL FILM PER MIL-C-5541, CLASS 1A, GOLD, NON-ROHS - <u>CG</u></p> <p>ELECTROLESS NICKEL PER MIL-C-26074, CLASS 4, GRADE B, BRIGHT - <u>EN</u></p>		<p>3/32" HEX KEY - <u>332</u></p> <p>M2.5 HEX KEY - <u>M25</u></p> <p>7/64" HEX KEY - <u>764</u></p>		<p>- BV - BELLEVILLE WASHERS</p> <p>- NL - NYLON LOCK PATCH</p>	
	<p>X - REQUIRED VARIABLE</p> <p>Y - OPTIONAL VARIABLE</p>		<p>EXAMPLE PART#'S:</p> <p>SW5-43-270-250-332-BA-30D</p> <p>SW5-43-270-250-764-BA-30D-BV</p>			

## MOUNTING DETAILS

UNLESS OTHERWISE SPECIFIED

DIMENSIONS ARE IN INCHES.

TOLERANCES:  
TWO PLACE DECIMAL: ±.01  
THREE PLACE DECIMAL: ±.005

EXPANSION DETAILS

NOMINAL EXPANSION: .025"

MAXIMUM EXPANSION: .060"

