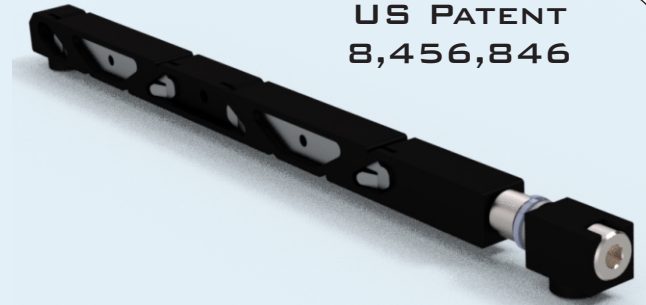
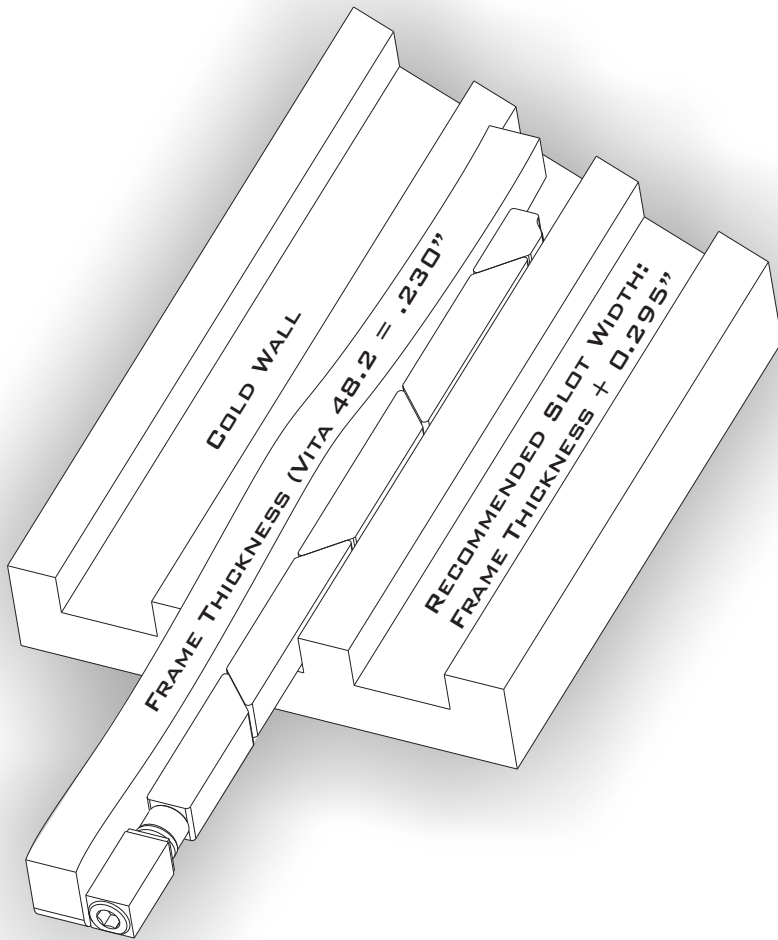


THE SOLID WEDGE SERIES REPRESENTS AN INNOVATIVE APPROACH TO CREATE A SIGNIFICANTLY HIGHER THERMAL PERFORMANCE FOR PRINTED CIRCUIT BOARDS WITH LARGE THERMAL LOADS IN CONDUCTION COOLED APPLICATIONS.



US PATENT  
8,456,846

OPTIMIZED FOR VITA 48.2 AND GPCI



**THERMAL RESISTANCE:**

SW5-43-270-250-XXX-XX-30D=0.11 °C/W  
(RESISTANCE PER WEDGE LOCK)

**FEATURES:**

- ~ 1250 LBS CLAMPING FORCE
- EXPANDED WITH HELICOIL INSERT
- ZERO INSERTION FORCE
- LOW PROFILE DESIGN
- SELF RETRACTING SEGMENTS
- POSITIVE DRIVE SYSTEM
- LARGEST DRIVE SCREW AVAILABLE
- SUPERIOR PLATING ENDURANCE
- OPTIMIZED FOR VITA 48.2
- MODELS AVAILABLE FOR DOWNLOAD
- TORQUE TO 6-10 IN-LBS

**MATERIALS:**

**ALUMINUM ALLOYS:**

- ACTIVE WEDGE SEGMENTS 6061-T6
- FRONT MOUNTING BLOCK 7075-T6

**300 SERIES STAINLESS STEEL:**

(PASSIVATED PER AMS - 2700)

- WASHERS
- ROUND NUT
- HEX DRIVE SCREW

**HELICOIL WIRE INSERT**

- NITRONIC 60

THE SOLIDWEDGE DESIGN PROVIDES THREE TIMES THE THERMAL CONTACT AREA OF CONVENTIONAL WEDGE LOCKS. THE DESIGN ALSO FEATURES A LARGER SCREW SIZE WHICH CREATES HIGHER CONTACT FORCES BETWEEN THE HEAT FRAME AND COLD WALL SURFACES, WHICH SIGNIFICANTLY IMPROVES THERMAL PERFORMANCE.

THE INTERCONNECTED LINKS OF THE SOLIDWEDGE ALSO PROVIDE FOR A POSITIVE RETRACTION OF ALL SEGMENTS WITHOUT THE USE OF SPRINGS OR OTHER MECHANISMS.

## PART NUMBER BUILDER

SW5 - 43 - 270 - 250 - XXX - XX - 30D - B075 - YY

<p>4.3" MTG HOLE SPACING - 43</p> <p>5 ACTIVE SEGMENTS - 5</p> <p>SOLIDWEDGE - SW</p>	<p>HEIGHT 0.270"</p>	<p>WIDTH 0.250"</p>	<p>HEX DRIVE</p>	<p>FINISH</p>	<p>30° WEDGE SEGMENTS</p>	<p>BOSS LENGTH 0.075"</p>	<p>OTHER OPTIONS</p> <ul style="list-style-type: none"> <li>- BV - BELLEVILLE WASHERS</li> <li>- NL - NYLOK LOCK PATCH</li> </ul>
	<p>3/32" HEX KEY - 332</p> <p>M2.5 HEX KEY - M25</p> <p>7/64" HEX KEY - 764</p>	<p>BLACK ANODIZE PER MIL-A-8625, TYPE II, CLASS 2 - BA</p> <p>HARD BLACK ANODIZE PER MIL-A-8625, TYPE III, CLASS 2 - BH</p> <p>CHEMICAL FILM PER MIL-C-5541, CLASS 1A, CLEAR - CC</p> <p>CHEMICAL FILM PER MIL-C-5541, CLASS 1A, GOLD, NON-ROHS - CG</p> <p>ELECTROLESS NICKEL PER MIL-C-26074, CLASS 4, GRADE B, BRIGHT - EN</p>			<p>X - REQUIRED VARIABLE</p> <p>Y - OPTIONAL VARIABLE</p>		

**EXAMPLE PART#'S:**  
 SW5-43-270-250-332-BA-30D-B075  
 SW5-43-270-250-764-BA-30D-B075-BV

## MOUNTING DETAILS

UNLESS OTHERWISE SPECIFIED

DIMENSIONS ARE IN INCHES.

TOLERANCES:  
 TWO PLACE DECIMAL: ±.01  
 THREE PLACE DECIMAL: ±.005

**EXPANSION DETAILS**

NOMINAL EXPANSION: .025"

MAXIMUM EXPANSION: .060"

