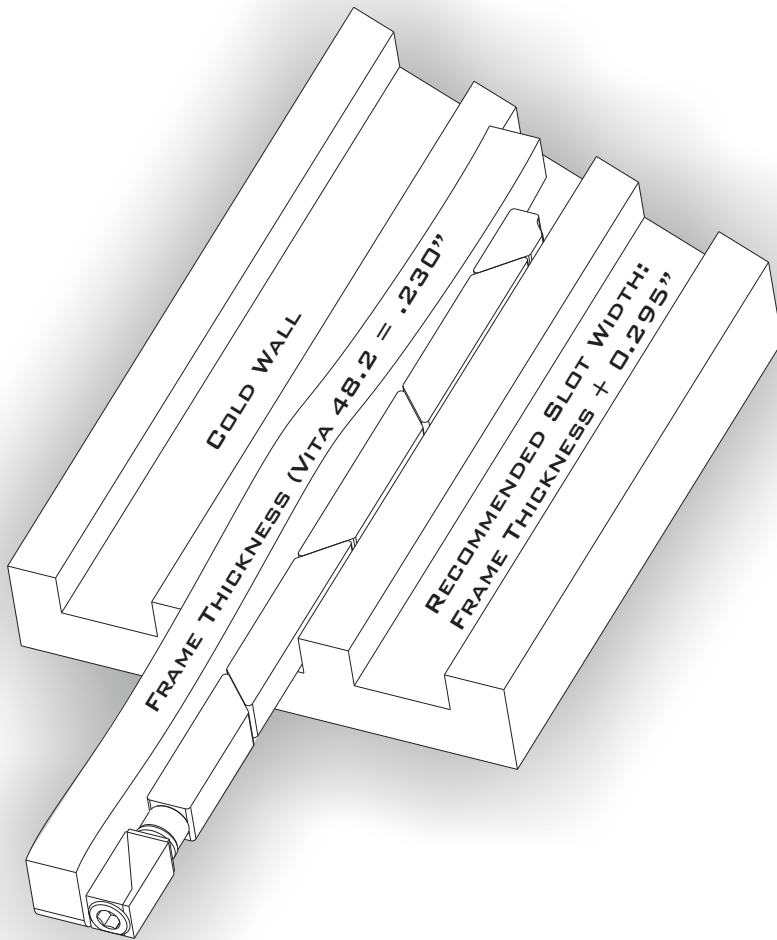
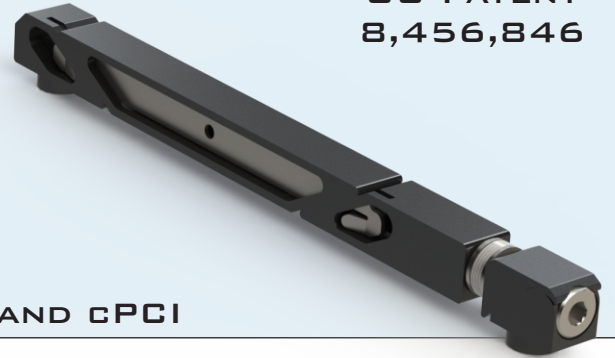


THE SOLID WEDGE SERIES REPRESENTS AN INNOVATIVE APPROACH TO CREATE A SIGNIFICANTLY HIGHER THERMAL PERFORMANCE FOR PRINTED CIRCUIT BOARDS WITH LARGE THERMAL LOADS IN CONDUCTION COOLED APPLICATIONS.

OPTIMIZED FOR VITA 48.2 AND GPCI

US PATENT
8,456,846



THERMAL RESISTANCE:

SW4-32-270-250-XXX-BH-30D ~ 0.15°C/W
(RESISTANCE PER WEDGE LOCK)

FEATURES:

- ~ 800 LBS CLAMPING FORCE
- EXPANDED WITH HELICOIL INSERT
- ZERO INSERTION FORCE
- LOW PROFILE DESIGN
- SELF RETRACTING SEGMENTS
- POSITIVE DRIVE SYSTEM
- LARGEST DRIVE SCREW AVAILABLE
- SUPERIOR PLATING ENDURANCE
- OPTIMIZED FOR VITA 48.2
- MODELS AVAILABLE FOR DOWNLOAD
- TORQUE TO 6-10 IN-LBS

MATERIALS:

ALUMINUM ALLOYS:

- ACTIVE WEDGE SEGMENTS 6061-T6
- FRONT MOUNTING BLOCK 7075-T6

300 SERIES STAINLESS STEEL:

(PASSIVATED PER AMS - 2700)

- WASHERS
- ROUND NUT
- HEX DRIVE SCREW

HELICOIL WIRE INSERT

- NITRONIC 60

THE SOLIDWEDGE DESIGN PROVIDES THREE TIMES THE THERMAL CONTACT AREA OF CONVENTIONAL WEDGE LOCKS. THE DESIGN ALSO FEATURES A LARGER SCREW SIZE WHICH CREATES HIGHER CONTACT FORCES BETWEEN THE HEAT FRAME AND GOLD WALL SURFACES, WHICH SIGNIFICANTLY IMPROVES THERMAL PERFORMANCE.

THE INTERCONNECTED LINKS OF THE SOLIDWEDGE ALSO PROVIDE FOR A POSITIVE RETRACTION OF ALL SEGMENTS WITHOUT THE USE OF SPRINGS OR OTHER MECHANISMS.

PART NUMBER BUILDER

SW4 - 32 - 270 - 250 - XXX - XX - 30D - B075 - YY

<p>3.2" MTG HOLE SPACING - 32</p> <p>4 ACTIVE SEGMENTS - 4</p> <p>SOLIDWEDGE - SW</p>	<p>HEIGHT 0.270"</p>	<p>WIDTH 0.250"</p>	<p>HEX DRIVE</p>	<p>FINISH</p>	<p>30° WEDGE SEGMENTS</p>	<p>BOSS LENGTH 0.075"</p>	<p>OTHER OPTIONS</p> <ul style="list-style-type: none"> - BV - BELLEVILLE WASHERS - NL - NYLOK LOCK PATCH
	<p>3/32" HEX KEY - 332 M2.5 HEX KEY - M25 7/64" HEX KEY - 764</p>				<p>X - REQUIRED VARIABLE Y - OPTIONAL VARIABLE</p>		

BLACK ANODIZE PER MIL-A-8625, TYPE II, CLASS 2 - BA
HARD BLACK ANODIZE PER MIL-A-8625, TYPE III, CLASS 2 - BH
CHEMICAL FILM PER MIL-C-5541, CLASS 1A, CLEAR - CC
CHEMICAL FILM PER MIL-C-5541, CLASS 1A, GOLD, NON-ROHS - CG
ELECTROLESS NICKEL PER MIL-C-26074, CLASS 4, GRADE B, BRIGHT - EN

EXAMPLE PART#'S:
SW4-32-270-250-332-BA-30D-B075
SW4-32-270-250-764-BH-30D-B075-NL

MOUNTING DETAILS

UNLESS OTHERWISE SPECIFIED

DIMENSIONS ARE IN INCHES.

TOLERANCES:
TWO PLACE DECIMAL: ±.01
THREE PLACE DECIMAL: ±.005

EXPANSION DETAILS

NOMINAL EXPANSION: .025"

MAXIMUM EXPANSION: .050"

