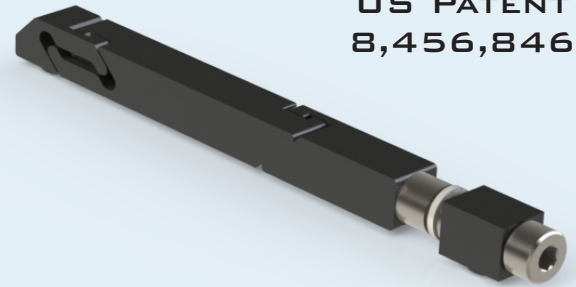
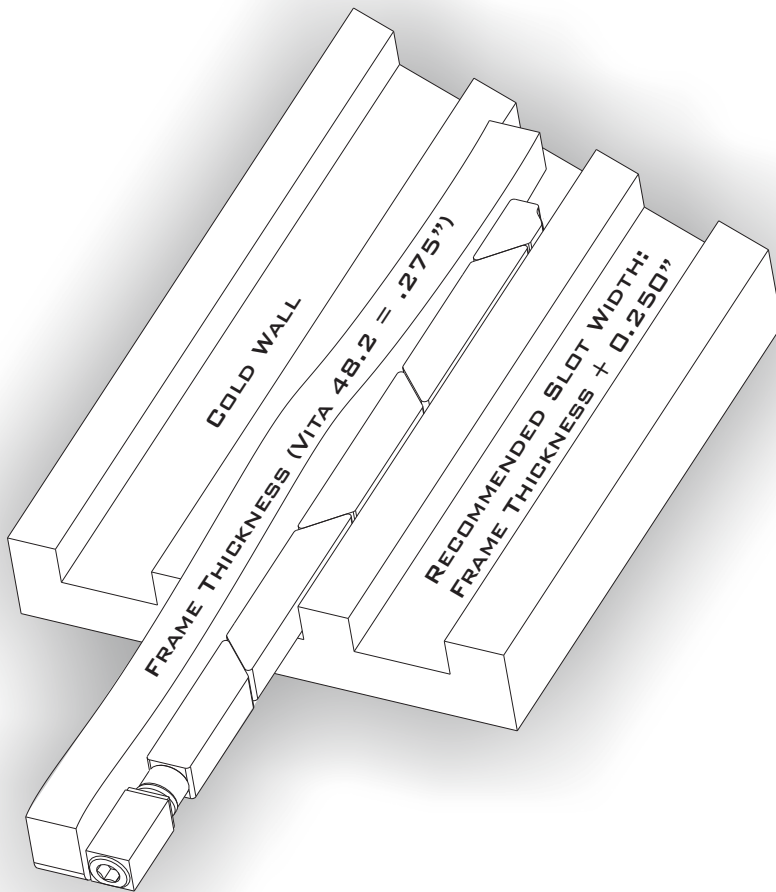


THE SOLID WEDGE SERIES REPRESENTS AN INNOVATIVE APPROACH TO CREATE A SIGNIFICANTLY HIGHER THERMAL PERFORMANCE FOR PRINTED CIRCUIT BOARDS WITH LARGE THERMAL LOADS IN CONDUCTION COOLED APPLICATIONS.



US PATENT
8,456,846

OPTIMIZED FOR VITA 48.2 AND cPCI



THERMAL RESISTANCE:

SW3-243-225-225 = 0.23°C/W
(RESISTANCE PER WEDGE LOCK)

FEATURES:

- SUPERIOR CLAMPING FORCE
- ZERO INSERTION FORCE
- LOW PROFILE DESIGN
- SELF RETRACTING SEGMENTS
- POSITIVE DRIVE SYSTEM
- LARGEST DRIVE SCREW AVAILABLE
- SUPERIOR PLATING ENDURANCE
- OPTIMIZED FOR VITA 48.2
- MODELS AVAILABLE FOR DOWNLOAD
- TORQUE TO 6-10 IN-LBS

MATERIALS:

ALUMINUM ALLOYS:

- ACTIVE WEDGE SEGMENTS 6061-T6
- FRONT MOUNTING BLOCK 7075-T6

300 SERIES STAINLESS STEEL:

(PASSIVATED PER AMS - 2700)

- WASHERS
- ROUND NUT
- HEX DRIVE SCREW
-

THE SOLIDWEDGE DESIGN PROVIDES THREE TIMES THE THERMAL CONTACT AREA OF CONVENTIONAL WEDGE LOCKS. THE DESIGN ALSO FEATURES A LARGER SCREW SIZE WHICH CREATES HIGHER CONTACT FORCES BETWEEN THE HEAT FRAME AND COLD WALL SURFACES, WHICH SIGNIFICANTLY IMPROVES THERMAL PERFORMANCE.

THE INTERCONNECTED LINKS OF THE SOLIDWEDGE ALSO PROVIDE FOR A POSITIVE RETRACTION OF ALL SEGMENTS WITHOUT THE USE OF SPRINGS OR OTHER MECHANISMS.

PART NUMBER BUILDER

SW3 - 243 - 225 - 225 - XXX - XX - YY

	HEIGHT 0.225"	WIDTH 0.225"	HEX DRIVE	FINISH	OTHER OPTIONS
	2.43" MTG HOLE SPACING - <u>243</u>		3/32" HEX KEY - <u>332</u> 2.5MM HEX KEY - <u>M25</u> 7/64" HEX KEY - <u>764</u>	- <u>BV</u> - BELLEVILLE WASHERS - <u>NL</u> - NYLOK LOCK PATCH - <u>HC</u> - HELICOIL INSERTION	
	3 ACTIVE SEGMENTS - <u>3</u>				
SOLIDWEDGE - <u>SW</u>					

BLACK ANODIZE PER MIL-A-8625, TYPE II, CLASS 2 - BA
 HARD BLACK ANODIZE PER MIL-A-8625, TYPE III, CLASS 3 - BH
 CHEMICAL FILM PER MIL-C-5541, CLASS 1A, CLEAR - CC
 CHEMICAL FILM PER MIL-C-5541, CLASS 1A, GOLD, NON-ROHS - CG
 ELECTROLESS NICKEL PER MIL-C-26074, CLASS 4, GRADE B, BRIGHT - EN

X - REQUIRED VARIABLE
Y - OPTIONAL VARIABLE
 EXAMPLE PART#'S:
 SW3-243-225-225-332-BA-BV
 SW3-243-225-225-764-BA-BV

MOUNTING DETAILS

UNLESS OTHERWISE SPECIFIED
 DIMENSIONS ARE IN INCHES.
 TOLERANCES:
 TWO PLACE DECIMAL: ±.01
 THREE PLACE DECIMAL: ±.005

