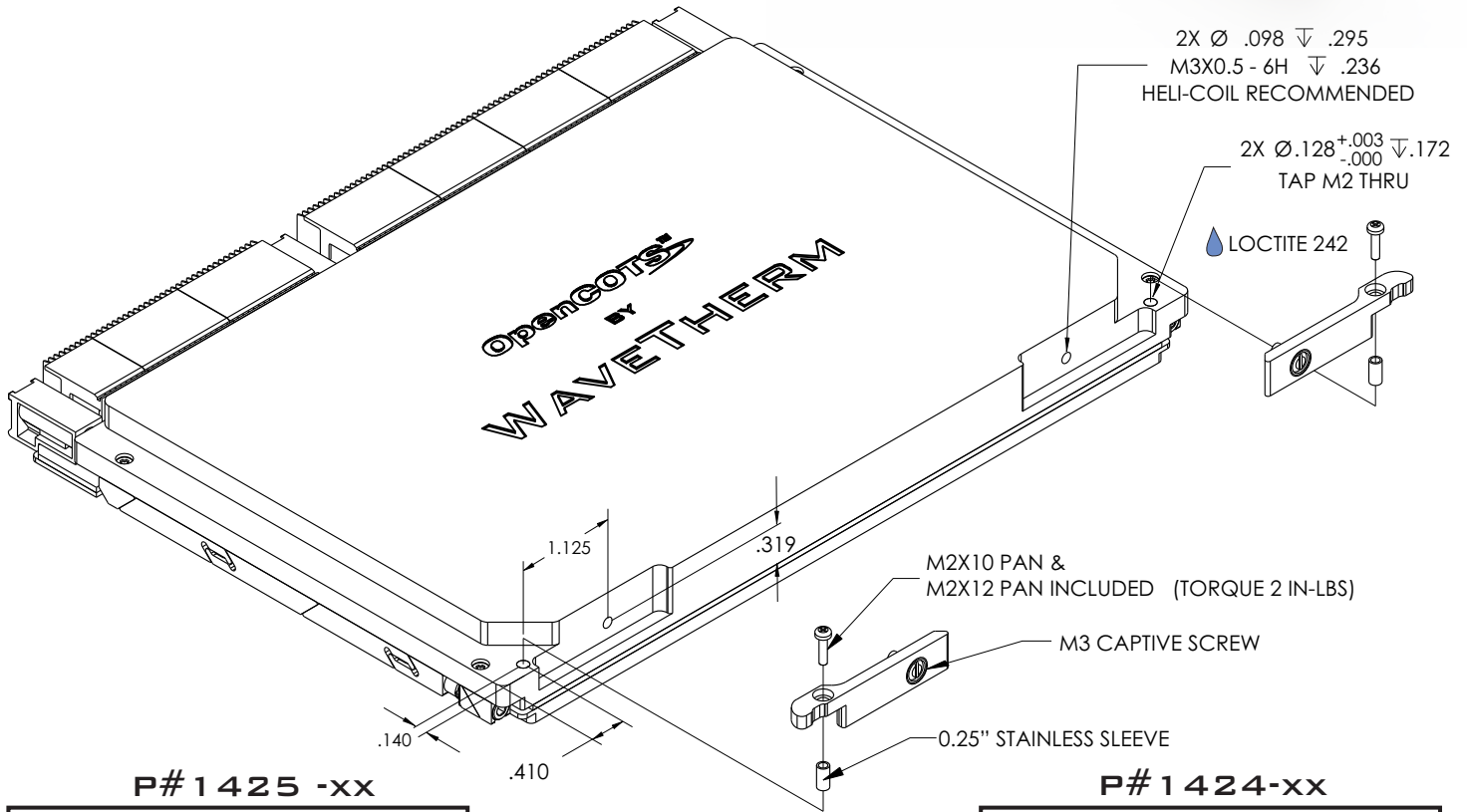


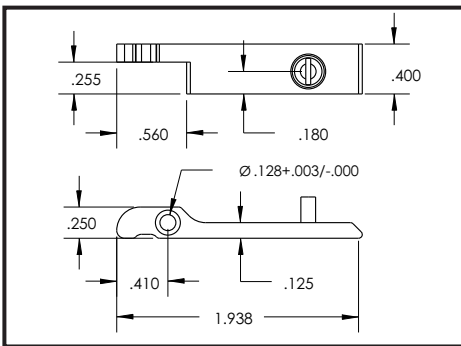
THE OPENCOTS 6U EJECTORS REPRESENT AN INNOVATIVE APPROACH TO CREATE A FIELD REPLACEABLE INJECT / EJECT HANDLE FOR GPCI AND VME/VPX DESIGNS. THE EJECTOR HANDLES ARE ERGONOMICALLY DESIGNED TO PROVIDE A MECHANICAL ADVANTAGE ENTERING AND EXITING A CHASSIS SLOT.



OPTIMIZED FOR VITA 48.2 AND GPCI



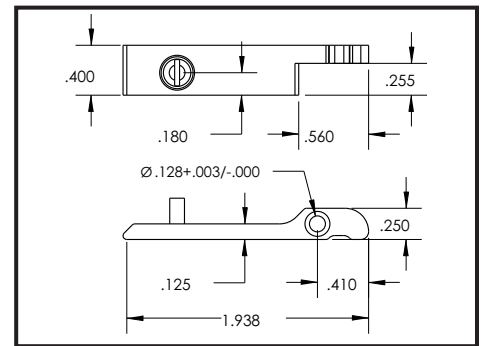
P# 1425 -XX



**FEATURES:**

- FIELD REPLACEABLE
- CAPTIVE SCREW
- INJECTION / EJECTION
- VITA 48.2 COMPLIANT
- VME COMPLIANT
- GPCI COMPLIANT
- LOW PROFILE DESIGN
- ERGONOMIC DESIGN
- 3D MODELS AVAILABLE

P# 1424 -XX



**MATERIAL:**

ALUMINUM AL6061-T6  
HARDWARE SS300 SERIES

**FINISH (-XX):**

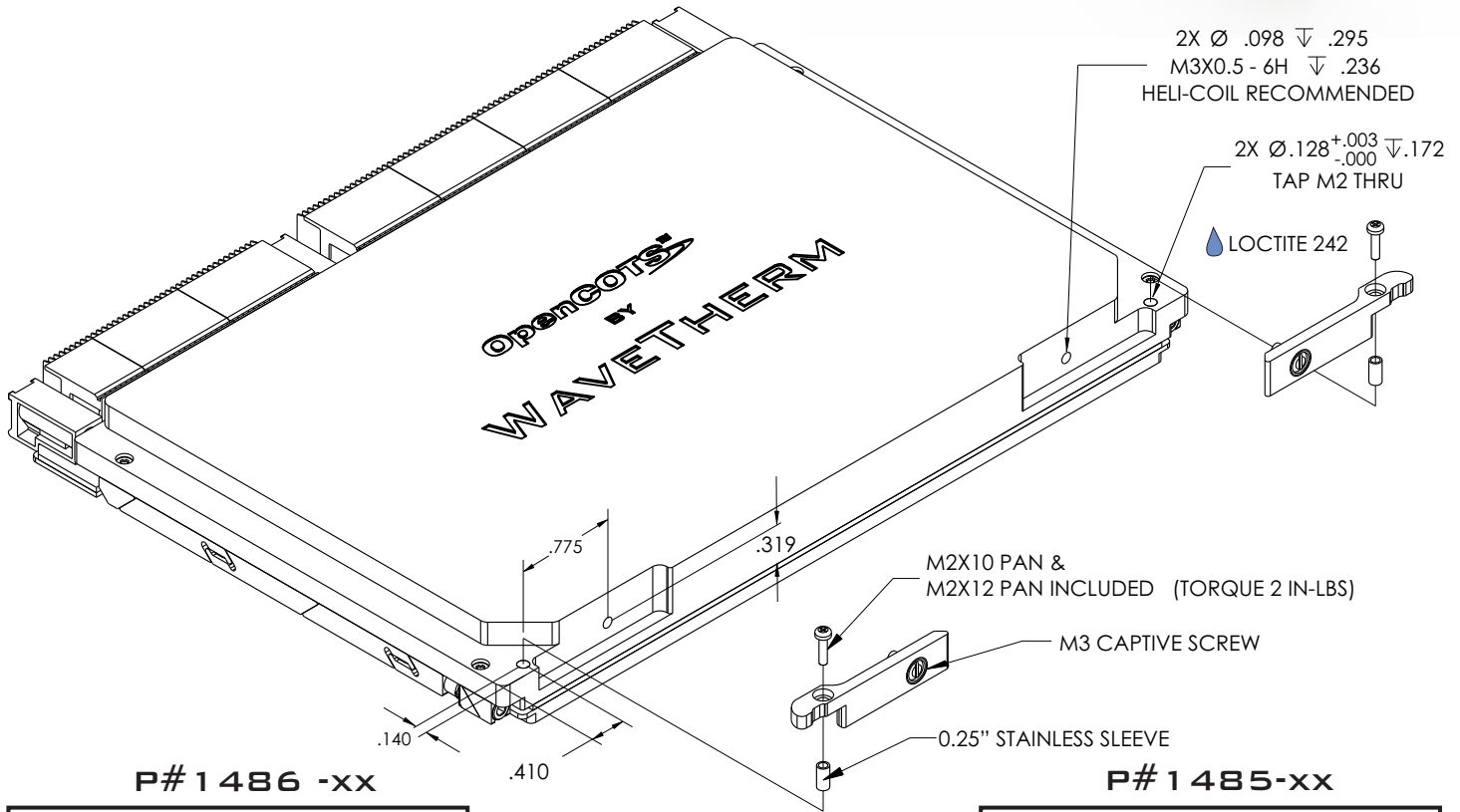
- BA** - BLACK ANODIZE PER MIL-A-8625, TYPE II, CLASS 2
- BH** - HARD BLACK ANODIZE PER MIL-A-8625, TYPE III, CLASS 3
- CC** - CHEMICAL FILM PER MIL-C-5541, CLASS 1A, CLEAR
- CG** - CHEMICAL FILM PER MIL-C-5541, CLASS 1A, GOLD, NON-ROHS
- EN** - ELECTROLESS NICKEL PER MIL-C-26074, CLASS 4, GRADE B, BRIGHT



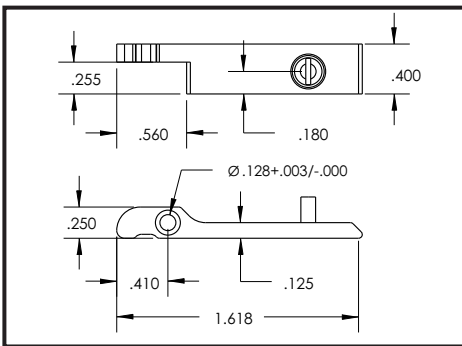
THE OPENCOTS 6U EJECTORS REPRESENT AN INNOVATIVE APPROACH TO CREATE A FIELD REPLACEABLE INJECT / EJECT HANDLE FOR GPCI AND VME/VPX DESIGNS. THE EJECTOR HANDLES ARE ERGONOMICALLY DESIGNED TO PROVIDE A MECHANICAL ADVANTAGE ENTERING AND EXITING A CHASSIS SLOT.



OPTIMIZED FOR VITA 48.2 AND GPCI



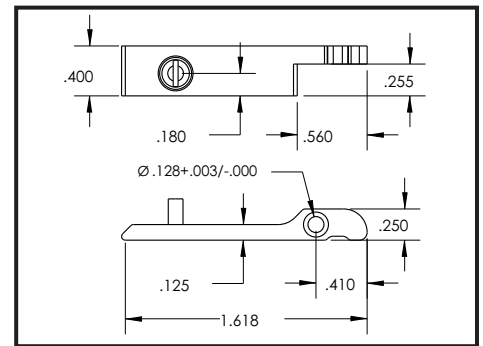
P# 1486 -XX



### FEATURES:

- FIELD REPLACEABLE
- CAPTIVE SCREW
- INJECTION / EJECTION
- VITA 48.2 COMPLIANT
- VME COMPLIANT
- GPCI COMPLIANT
- LOW PROFILE DESIGN
- ERGONOMIC DESIGN
- 3D MODELS AVAILABLE

P# 1485 -XX



### MATERIAL:

ALUMINUM AL6061-T6

HARDWARE SS300 SERIES

### FINISH (-XX):

**BA** - BLACK ANODIZE PER MIL-A-8625, TYPE II, CLASS 2

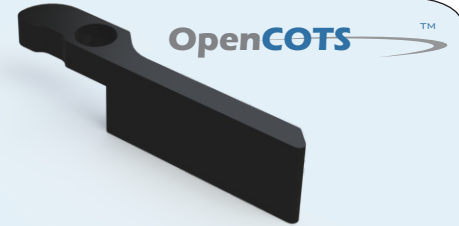
**BH** - HARD BLACK ANODIZE PER MIL-A-8625, TYPE III, CLASS 3

**CC** - CHEMICAL FILM PER MIL-C-5541, CLASS 1A, CLEAR

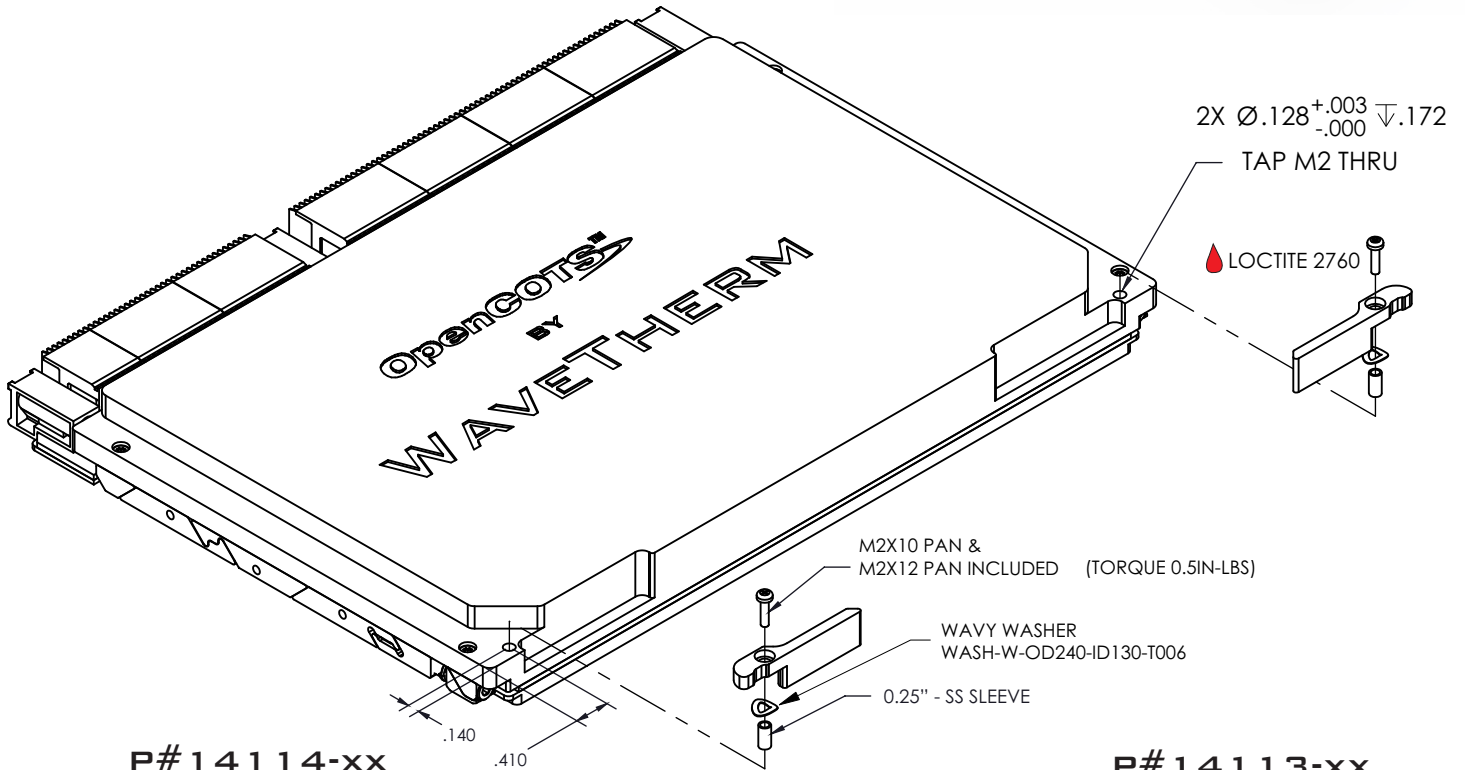
**CG** - CHEMICAL FILM PER MIL-C-5541, CLASS 1A, GOLD, NON-ROHS

**EN** - ELECTROLESS NICKEL PER MIL-C-26074, CLASS 4, GRADE B, BRIGHT

THE OPENCOTS 6U EJECTORS REPRESENT AN INNOVATIVE APPROACH TO CREATE A FIELD REPLACEABLE INJECT / EJECT HANDLE FOR GPCI AND VME/VPX DESIGNS. THE EJECTOR HANDLES ARE ERGONOMICALLY DESIGNED TO PROVIDE A MECHANICAL ADVANTAGE ENTERING AND EXITING A CHASSIS SLOT.

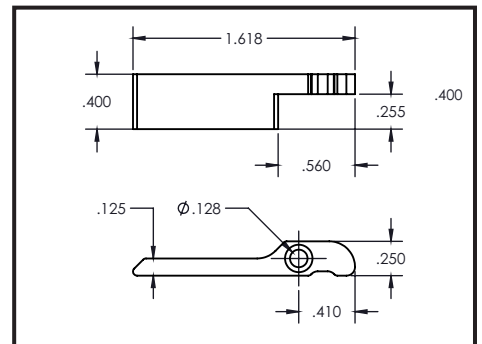
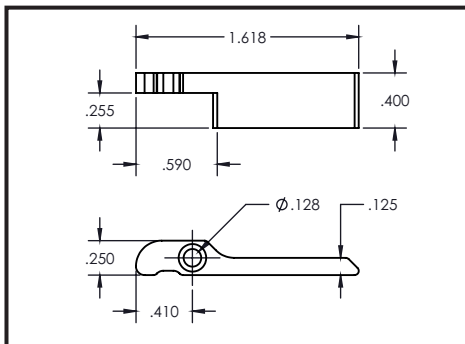


OPTIMIZED FOR VITA 48.2 AND GPCI



P# 14114-xx

P# 14113-xx



**FEATURES:**

- FIELD REPLACEABLE
- INJECTION / EJECTION
- VITA 48.2 COMPLIANT
- VME COMPLIANT
- GPCI COMPLIANT
- LOW PROFILE DESIGN
- ERGONOMIC DESIGN
- 3D MODELS AVAILABLE

**MATERIAL:**

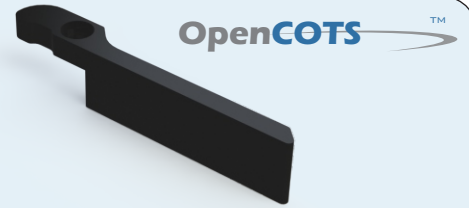
ALUMINUM AL6061-T6  
HARDWARE SS300 SERIES

**FINISH (-XX):**

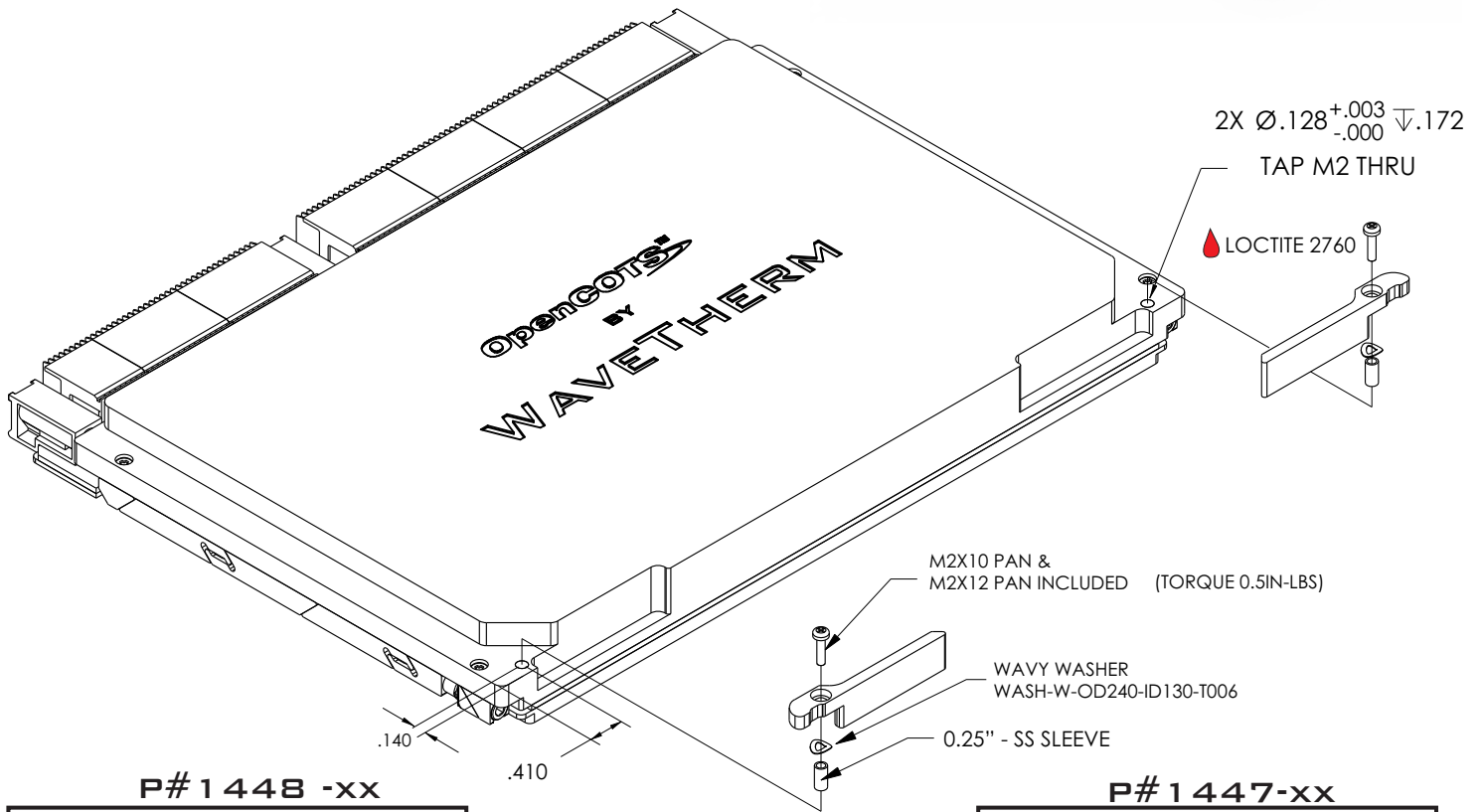
- BA** - BLACK ANODIZE PER MIL-A-8625, TYPE II, CLASS 2
- BH** - HARD BLACK ANODIZE PER MIL-A-8625, TYPE III, CLASS 3
- CC** - CHEMICAL FILM PER MIL-C-5541, CLASS 1A, CLEAR
- CG** - CHEMICAL FILM PER MIL-C-5541, CLASS 1A, GOLD, NON-ROHS
- EN** - ELECTROLESS NICKEL PER MIL-C-26074, CLASS 4, GRADE B, BRIGHT



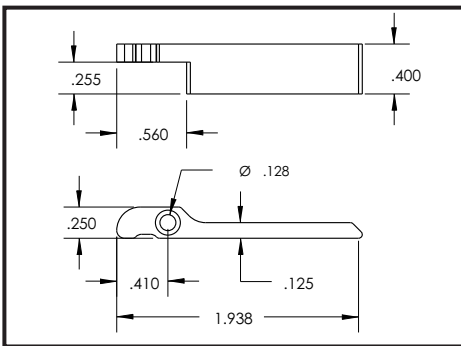
THE OPENCOTS 6U EJECTORS REPRESENT AN INNOVATIVE APPROACH TO CREATE A FIELD REPLACEABLE INJECT / EJECT HANDLE FOR CPCI AND VME/VPX DESIGNS. THE EJECTOR HANDLES ARE ERGONOMICALLY DESIGNED TO PROVIDE A MECHANICAL ADVANTAGE ENTERING AND EXITING A CHASSIS SLOT.



OPTIMIZED FOR VITA 48.2 AND CPCI



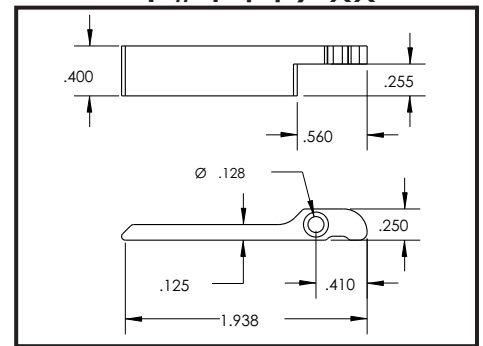
P# 1448 -XX



**FEATURES:**

- FIELD REPLACEABLE
- INJECTION / EJECTION
- VITA 48.2 COMPLIANT
- VME COMPLIANT
- CPCI COMPLIANT
- LOW PROFILE DESIGN
- ERGONOMIC DESIGN
- 3D MODELS AVAILABLE

P# 1447-XX



**MATERIAL:**

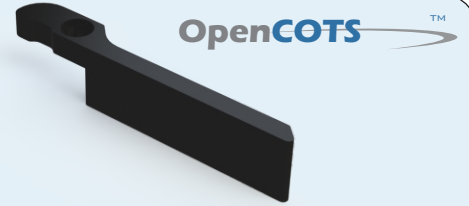
ALUMINUM AL6061-T6  
HARDWARE SS300 SERIES

**FINISH (-XX):**

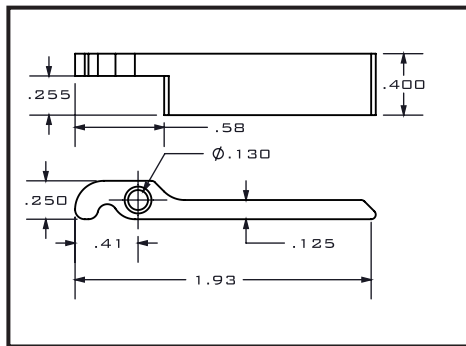
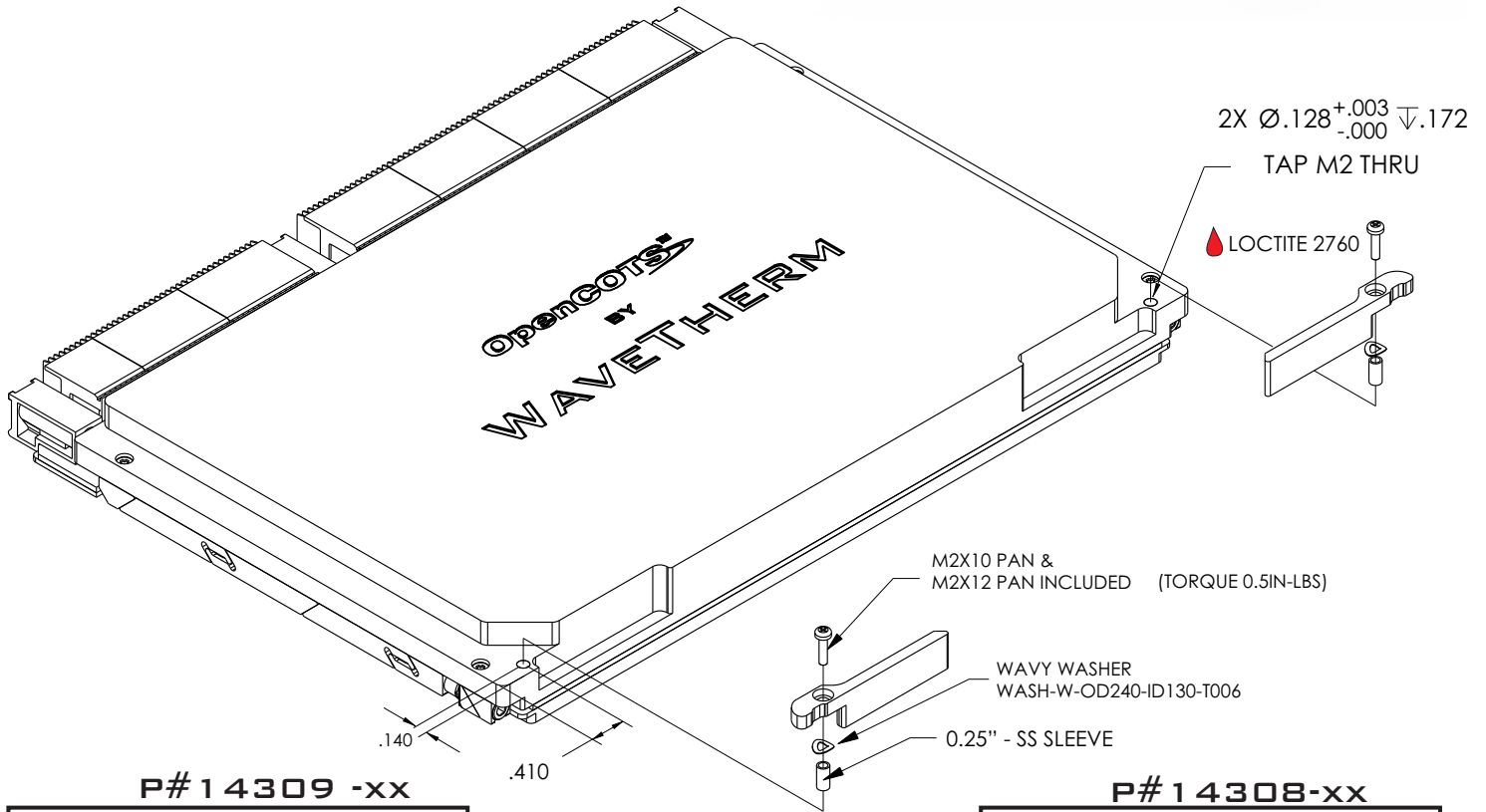
- BA** - BLACK ANODIZE PER MIL-A-8625, TYPE II, CLASS 2
- BH** - HARD BLACK ANODIZE PER MIL-A-8625, TYPE III, CLASS 3
- CC** - CHEMICAL FILM PER MIL-C-5541, CLASS 1A, CLEAR
- CG** - CHEMICAL FILM PER MIL-C-5541, CLASS 1A, GOLD, NON-ROHS
- EN** - ELECTROLESS NICKEL PER MIL-C-26074, CLASS 4, GRADE B, BRIGHT



THE OPENCOTS 6U EJECTORS REPRESENT AN INNOVATIVE APPROACH TO CREATE A FIELD REPLACEABLE INJECT / EJECT HANDLE FOR CPCI AND VME/VPX DESIGNS. THE EJECTOR HANDLES ARE ERGONOMICALLY DESIGNED TO PROVIDE A MECHANICAL ADVANTAGE ENTERING AND EXITING A CHASSIS SLOT.

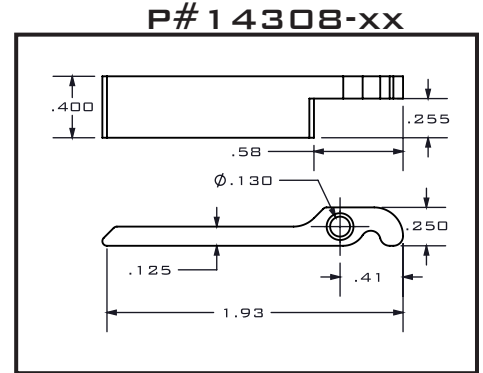


OPTIMIZED FOR VITA 48.2 AND CPCI



**FEATURES:**

- FIELD REPLACEABLE
- INJECTION / EJECTION
- VITA 48.2 COMPLIANT
- VME COMPLIANT
- CPCI COMPLIANT
- LOW PROFILE DESIGN
- ERGONOMIC DESIGN
- 3D MODELS AVAILABLE



**MATERIAL:**

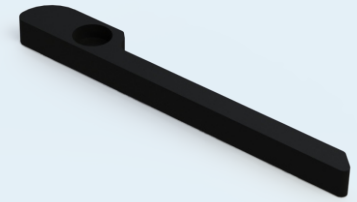
ALUMINUM AL7075-T7351  
HARDWARE SS300 SERIES

**FINISH (-XX):**

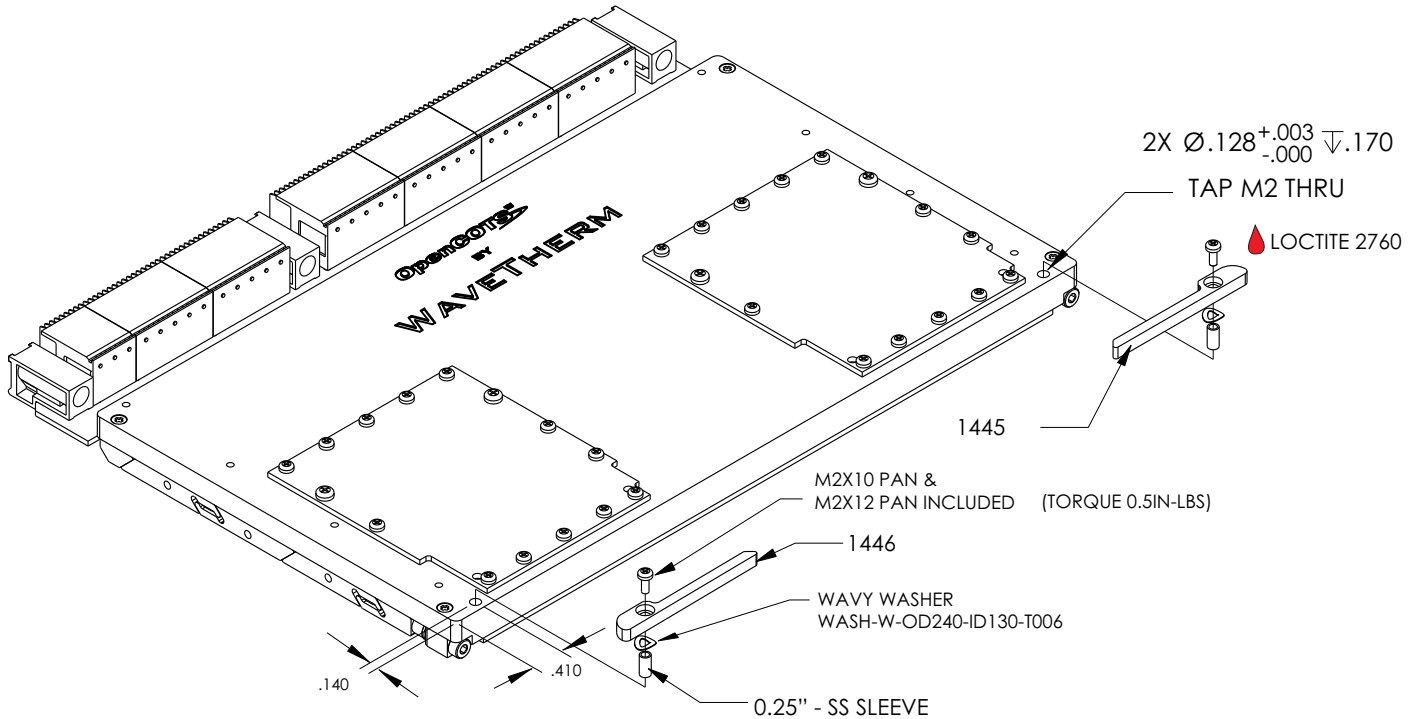
- BA** - BLACK ANODIZE PER MIL-A-8625, TYPE II, CLASS 2
- BH** - HARD BLACK ANODIZE PER MIL-A-8625, TYPE III, CLASS 3
- CC** - CHEMICAL FILM PER MIL-C-5541, CLASS 1A, CLEAR
- CG** - CHEMICAL FILM PER MIL-C-5541, CLASS 1A, GOLD, NON-ROHS
- EN** - ELECTROLESS NICKEL PER MIL-C-26074, CLASS 4, GRADE B, BRIGHT



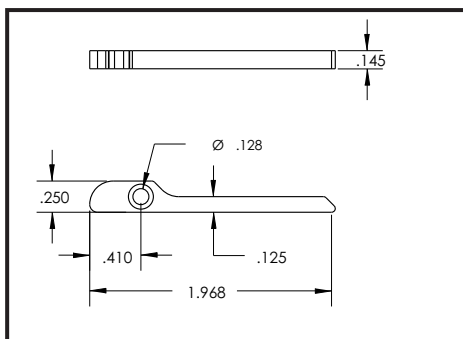
THE OPENCOTS 6U EJECTORS REPRESENT AN INNOVATIVE APPROACH TO CREATE A FIELD REPLACEABLE INJECT / EJECT HANDLE FOR CPCI AND VME/VPX DESIGNS. THE EJECTOR HANDLES ARE ERGONOMICALLY DESIGNED TO PROVIDE A MECHANICAL ADVANTAGE ENTERING AND EXITING A CHASSIS SLOT.



OPTIMIZED FOR VITA 48.2 AND CPCI



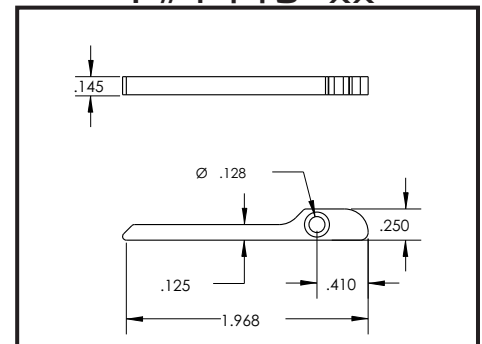
P# 1446-xx



**FEATURES:**

- FIELD REPLACEABLE
- INJECTION / EJECTION
- VITA 48.2 COMPLIANT
- VME COMPLIANT
- CPCI COMPLIANT
- LOW PROFILE DESIGN
- ERGONOMIC DESIGN
- 3D MODELS AVAILABLE

P# 1445-xx



**MATERIAL:**

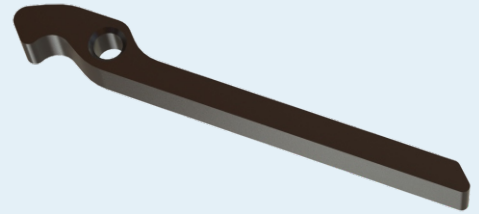
ALUMINUM AL7075-T7351  
HARDWARE SS300 SERIES

**FINISH (-XX):**

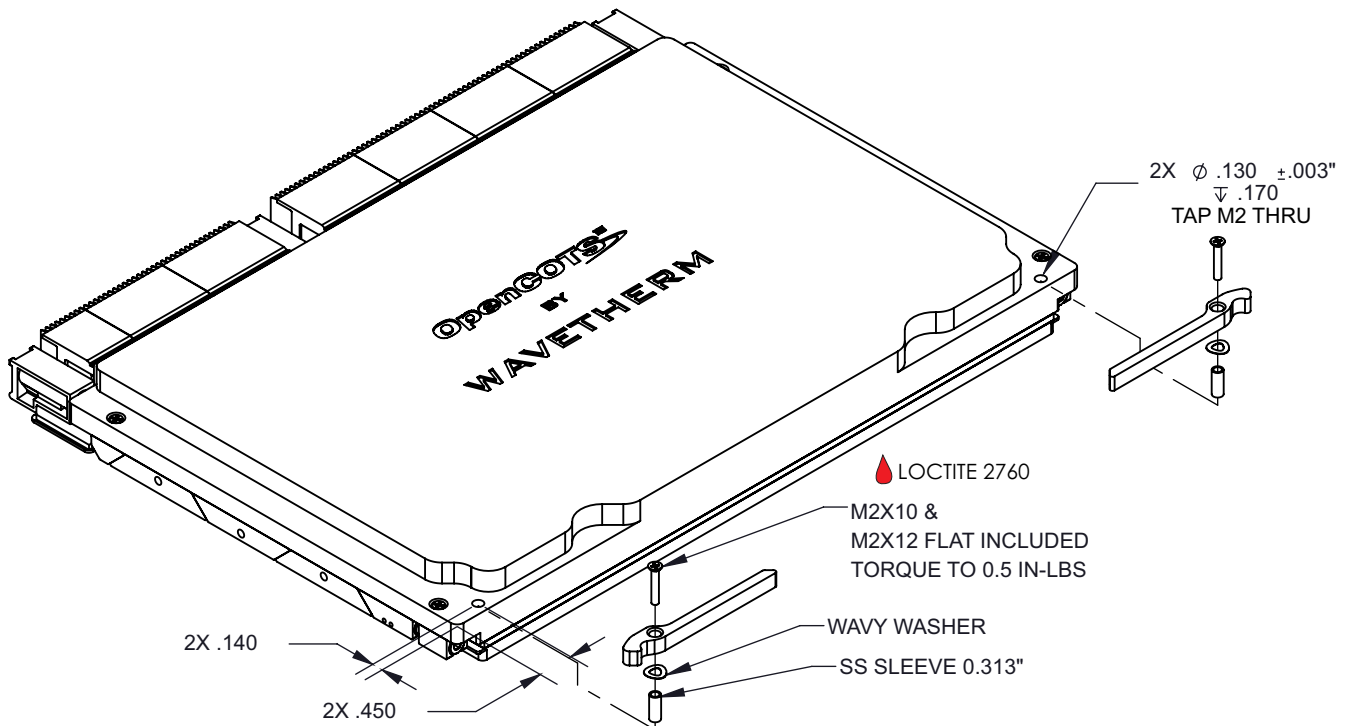
- BA** - BLACK ANODIZE PER MIL-A-8625, TYPE II, CLASS 2
- BH** - HARD BLACK ANODIZE PER MIL-A-8625, TYPE III, CLASS 3
- CC** - CHEMICAL FILM PER MIL-C-5541, CLASS 1A, CLEAR
- CG** - CHEMICAL FILM PER MIL-C-5541, CLASS 1A, GOLD, NON-ROHS
- EN** - ELECTROLESS NICKEL PER MIL-C-26074, CLASS 4, GRADE B, BRIGHT



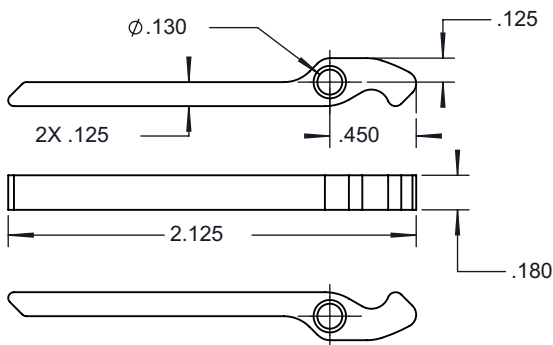
THE OPENCOTS 6U EJECTORS REPRESENT AN INNOVATIVE APPROACH TO CREATE A FIELD REPLACEABLE INJECT / EJECT HANDLE FOR CPCI AND VME/VPX DESIGNS. THE EJECTOR HANDLES ARE ERGONOMICALLY DESIGNED TO PROVIDE A MECHANICAL ADVANTAGE ENTERING AND EXITING A CHASSIS SLOT.



OPTIMIZED FOR VITA 48.2 AND CPCI



P# 14306-xx



### FEATURES:

- UNIVERSAL/ REVERSIBLE
- FIELD REPLACEABLE
- INJECTION / EJECTION
- VITA 48.2 COMPLIANT
- VME COMPLIANT
- CPCI COMPLIANT
- LOW PROFILE DESIGN
- ERGONOMIC DESIGN
- 3D MODELS AVAILABLE
- 6X MECHANICAL ADVANTAGE
- UP TO 120 LBS INSERTION/ EXTRACTION FORCE

### MATERIAL:

ALUMINUM AL7075-T7351  
HARDWARE SS300 SERIES

### FINISH (-XX):

**BA** - BLACK ANODIZE PER MIL-A-8625, TYPE II, CLASS 2  
**BH** - HARD BLACK ANODIZE PER MIL-A-8625, TYPE III, CLASS 3  
**CC** - CHEMICAL FILM PER MIL-C-5541, CLASS 1A, CLEAR  
**CG** - CHEMICAL FILM PER MIL-C-5541, CLASS 1A, GOLD, NON-ROHS  
**EN** - ELECTROLESS NICKEL PER MIL-C-26074, CLASS 4, GRADE B, BRIGHT

**OpenCOTS™**

**PART NUMBER BUILDER - KITS**

**1 4 2 4 - B A - 2 5 0**

**EJECTOR  
STYLE #**

**PLATED  
SURFACE  
FINISH**

**STANDOFF  
LENGTH**

**3U  
STYLES**

**6U  
STYLES**

1472	1424
1473	1425
14021	1485
14022	1486
1491	1447
1492	1448
14036	1445
14035	1446
	14113
	14114
	14306

3/16" - 1875  
1/4" - 250  
5/16" - 3125  
3/8" - 375

**INCLUDES  
MATCHING  
MOUNTING  
SCREW**

BLACK ANODIZE PER MIL-A-8625, TYPE II, CLASS 2 - BA  
HARD BLACK ANODIZE PER MIL-A-8625, TYPE III, CLASS 2 - BH  
CHEMICAL FILM PER MIL-C-5541, CLASS 1A, CLEAR - CC  
CHEMICAL FILM PER MIL-C-5541, CLASS 1A, GOLD, NON-ROHS - CG  
ELECTROLESS NICKEL PER MIL-C-26074, CLASS 4, GRADE B, BRIGHT - EN  
NICKEL PLATE PER QQ-N-290, CLASS 1, GRADE G, BRIGHT - N