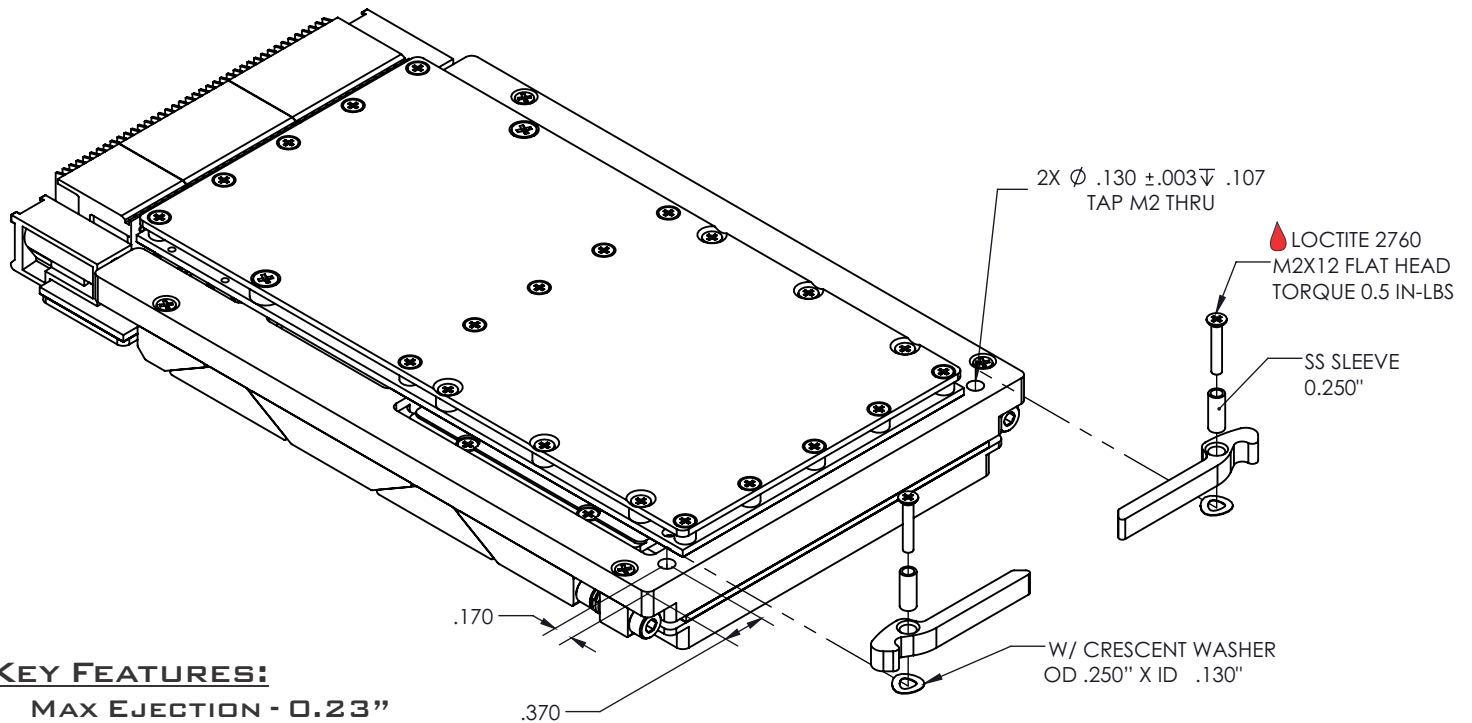


THE OPENCOTS 3U EJECTORS REPRESENT AN INNOVATIVE APPROACH TO CREATE A FIELD REPLACEABLE INJECT / EJECT HANDLE FOR CPCI AND VME/VPX DESIGNS. THE EJECTOR HANDLES ARE ERGONOMICALLY DESIGNED TO PROVIDE A MECHANICAL ADVANTAGE ENTERING AND EXITING A CHASSIS SLOT.

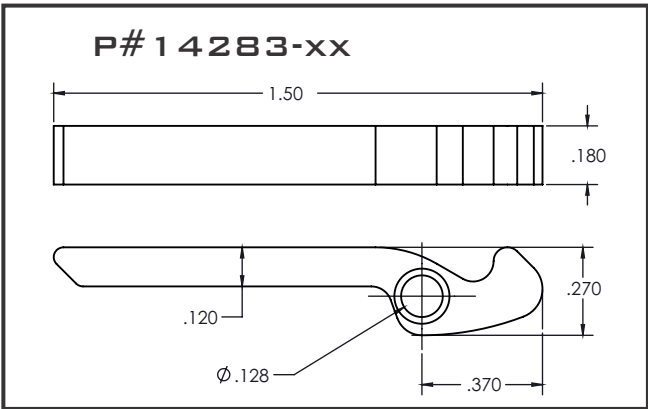


OPTIMIZED FOR VITA 48.2 AND CPCI



KEY FEATURES:

- MAX EJECTION - 0.23"
- PMC / XMC COMPATIBLE
- VITA 48.2 COMPLIANT
- CPCI COMPLIANT
- UNIVERSAL / REVERSIBLE
- FIELD REPLACEABLE
- INJECTION / EJECTION
- LOW PROFILE DESIGN
- ERGONOMIC DESIGN
- 3D MODELS AVAILABLE
- 3.3X MECHANICAL ADVANTAGE
- UP TO 120LBS INSERTION / EXTRACTION FORCE



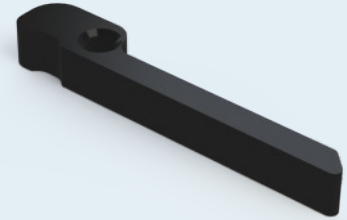
MATERIAL:

ALUMINUM AL7075-T7351
HARDWARE SS300 SERIES

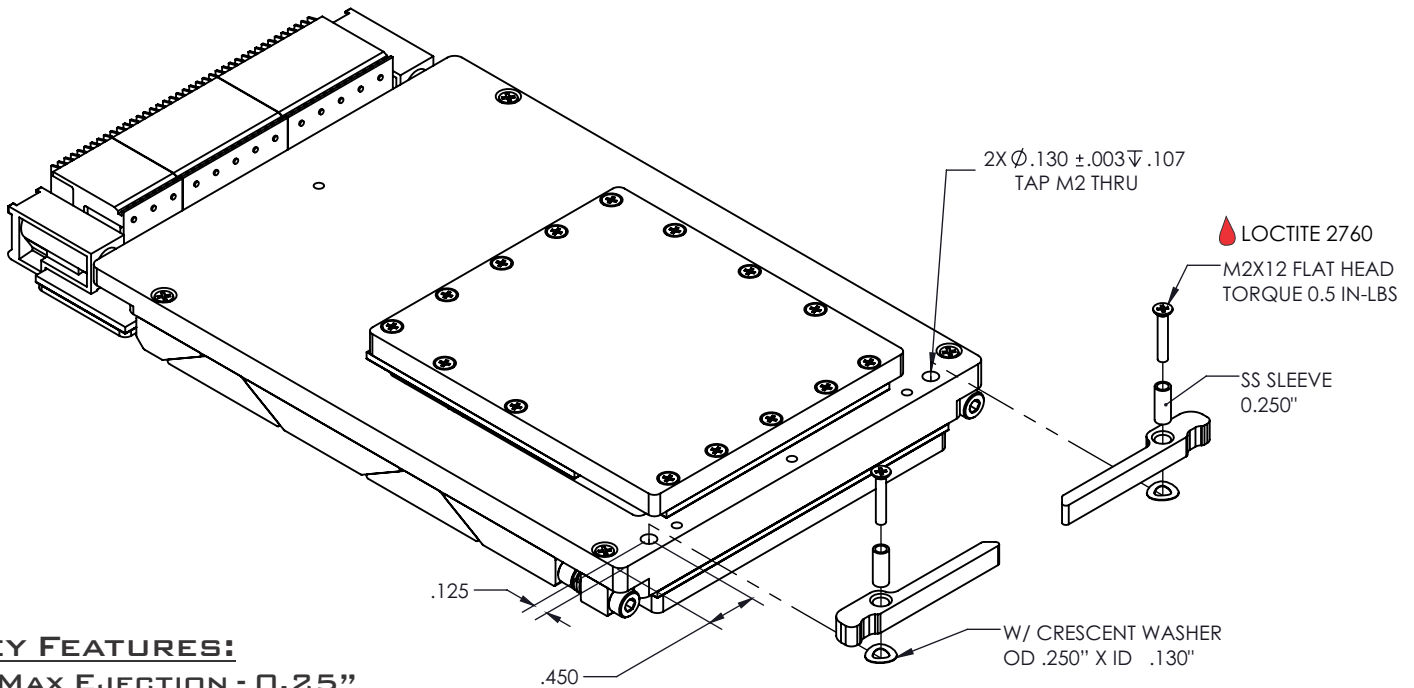
FINISH (-XX):

- BA** - BLACK ANODIZE PER MIL-A-8625, TYPE II, CLASS 2
- BH** - HARD BLACK ANODIZE PER MIL-A-8625, TYPE III, CLASS 2
- CC** - CHEMICAL FILM PER MIL-C-5541, CLASS 1A, CLEAR
- CG** - CHEMICAL FILM PER MIL-C-5541, CLASS 1A, GOLD, NON-ROHS
- EN** - ELECTROLESS NICKEL PER MIL-C-26074, CLASS 4, GRADE B, BRIGHT

THE OPENCOTS 3U EJECTORS REPRESENT AN INNOVATIVE APPROACH TO CREATE A FIELD REPLACEABLE INJECT / EJECT HANDLE FOR CPCI AND VME/VPX DESIGNS. THE EJECTOR HANDLES ARE ERGONOMICALLY DESIGNED TO PROVIDE A MECHANICAL ADVANTAGE ENTERING AND EXITING A CHASSIS SLOT.

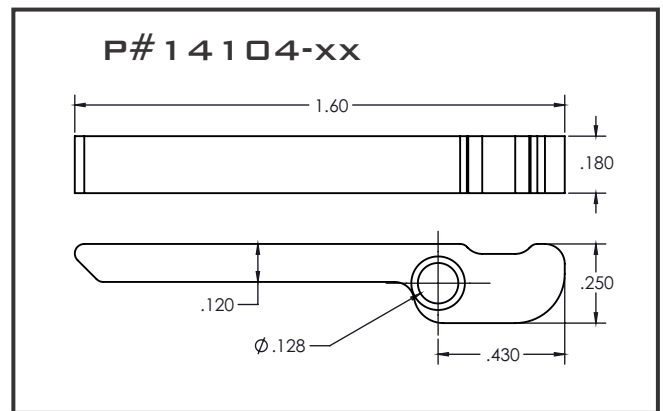


OPTIMIZED FOR VITA 48.2 AND CPCI



KEY FEATURES:

- MAX EJECTION - 0.25"
- VITA 48.2 COMPLIANT
- CPCI COMPLIANT
- UNIVERSAL / REVERSIBLE
- FIELD REPLACEABLE
- INJECTION / EJECTION
- LOW PROFILE DESIGN
- ERGONOMIC DESIGN
- 3D MODELS AVAILABLE
- 2.7X MECHANICAL ADVANTAGE
- UP TO 120LBS INSERTION / EXTRACTION FORCE



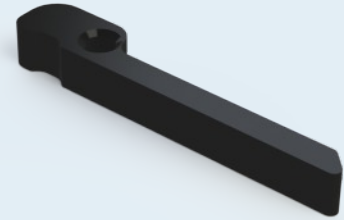
MATERIAL:

ALUMINUM AL6061-T6
HARDWARE SS300 SERIES

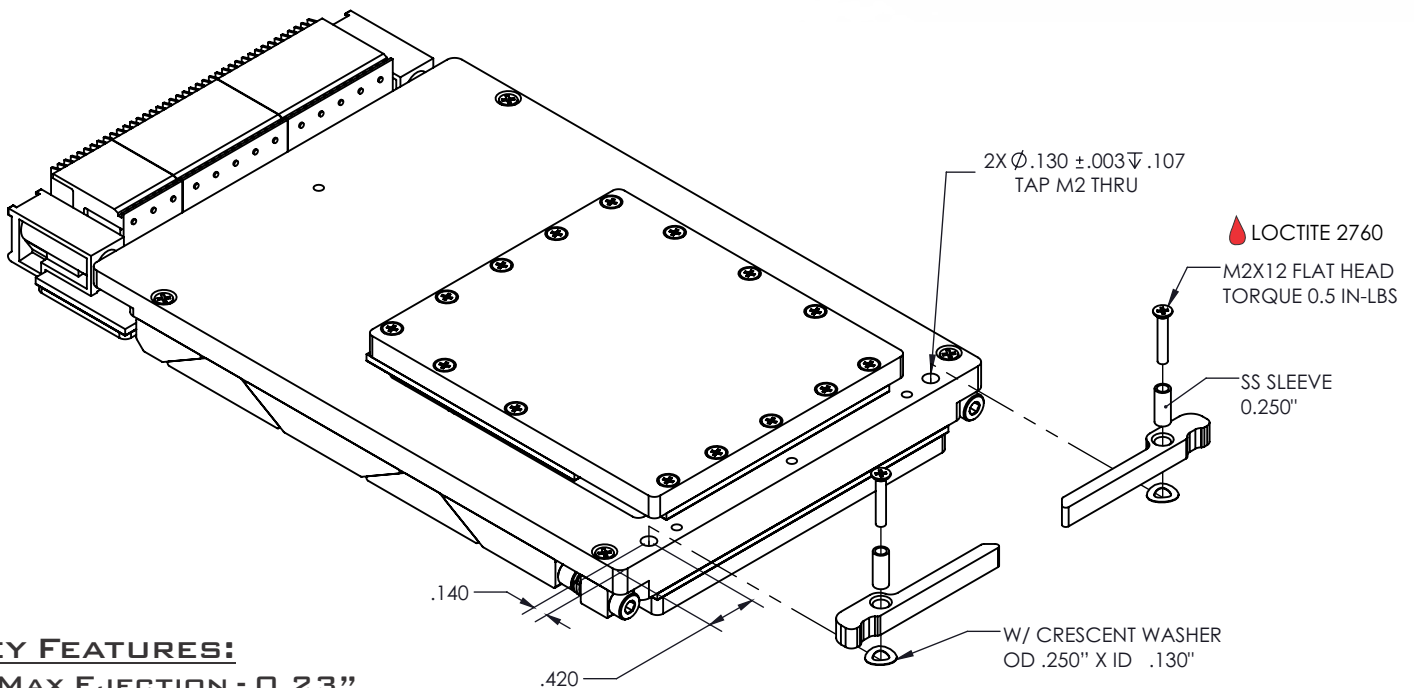
FINISH (-XX):

- BA** - BLACK ANODIZE PER MIL-A-8625, TYPE II, CLASS 2
- BH** - HARD BLACK ANODIZE PER MIL-A-8625, TYPE III, CLASS 2
- CC** - CHEMICAL FILM PER MIL-C-5541, CLASS 1A, CLEAR
- CG** - CHEMICAL FILM PER MIL-C-5541, CLASS 1A, GOLD, NON-ROHS
- EN** - ELECTROLESS NICKEL PER MIL-C-26074, CLASS 4, GRADE B, BRIGHT

THE OPENCOTS 3U EJECTORS REPRESENT AN INNOVATIVE APPROACH TO CREATE A FIELD REPLACEABLE INJECT / EJECT HANDLE FOR CPCI AND VME/VPX DESIGNS. THE EJECTOR HANDLES ARE ERGONOMICALLY DESIGNED TO PROVIDE A MECHANICAL ADVANTAGE ENTERING AND EXITING A CHASSIS SLOT.

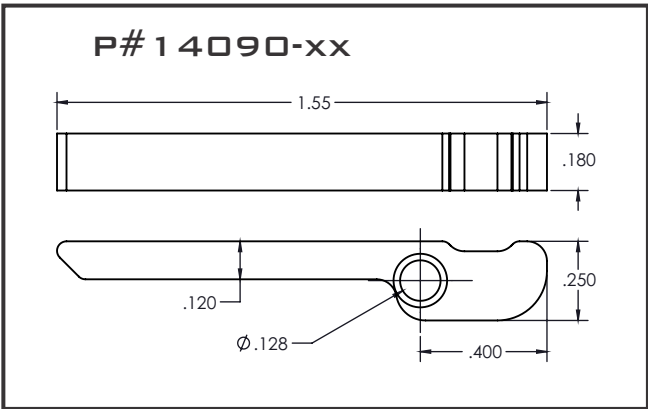


OPTIMIZED FOR VITA 48.2 AND CPCI



KEY FEATURES:

- MAX EJECTION - 0.23"
- VITA 48.2 COMPLIANT
- CPCI COMPLIANT
- UNIVERSAL / REVERSIBLE
- FIELD REPLACEABLE
- INJECTION / EJECTION
- LOW PROFILE DESIGN
- ERGONOMIC DESIGN
- 3D MODELS AVAILABLE
- 2.9X MECHANICAL ADVANTAGE
- UP TO 120LBS INSERTION / EXTRACTION FORCE



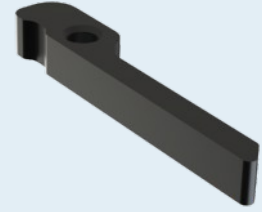
MATERIAL:

ALUMINUM AL7075-T7351
HARDWARE SS300 SERIES

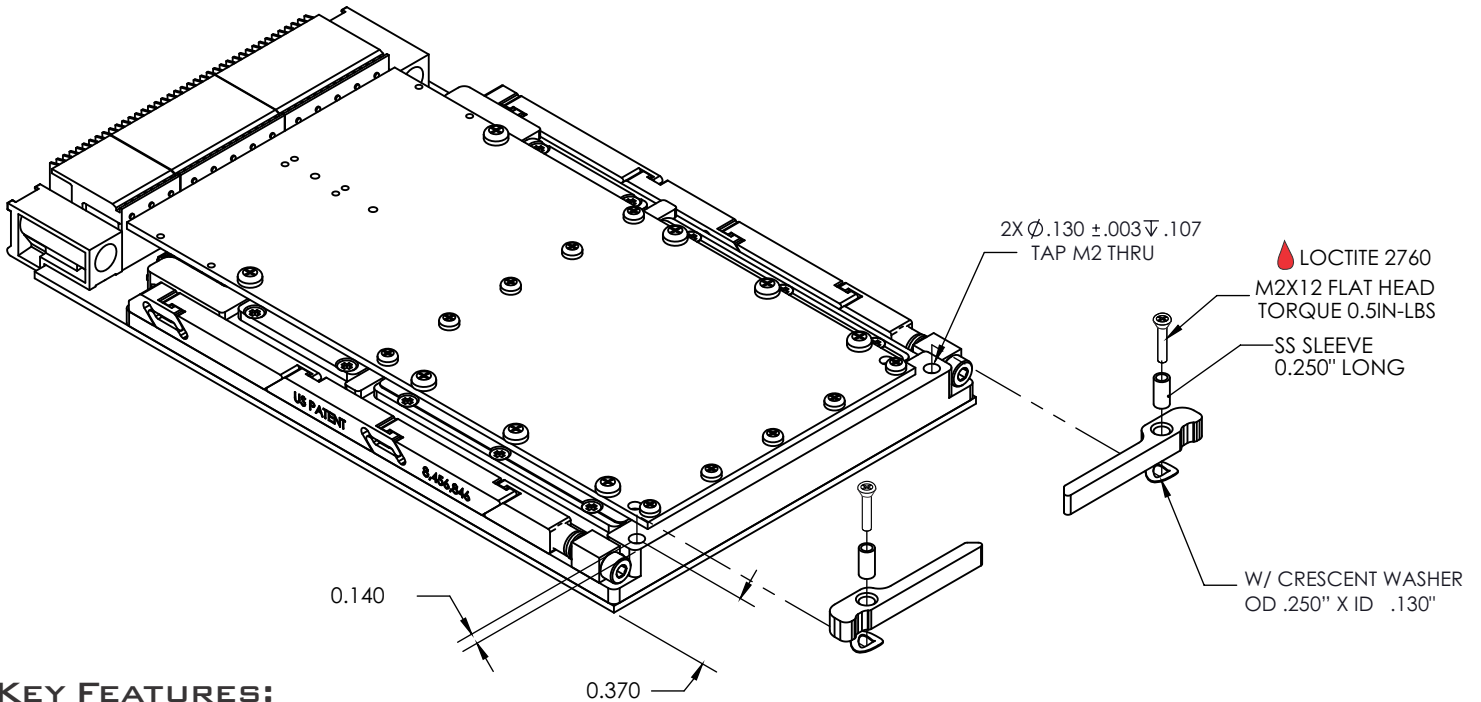
FINISH (-XX):

- BA** - BLACK ANODIZE PER MIL-A-8625, TYPE II, CLASS 2
- BH** - HARD BLACK ANODIZE PER MIL-A-8625, TYPE III, CLASS 2
- CC** - CHEMICAL FILM PER MIL-C-5541, CLASS 1A, CLEAR
- CG** - CHEMICAL FILM PER MIL-C-5541, CLASS 1A, GOLD, NON-ROHS
- EN** - ELECTROLESS NICKEL PER MIL-C-26074, CLASS 4, GRADE B, BRIGHT

THE OPENCOTS 3U EJECTORS REPRESENT AN INNOVATIVE APPROACH TO CREATE A FIELD REPLACEABLE INJECT / EJECT HANDLE FOR CPCI AND VME/VPX DESIGNS. THE EJECTOR HANDLES ARE ERGONOMICALLY DESIGNED TO PROVIDE A MECHANICAL ADVANTAGE ENTERING AND EXITING A CHASSIS SLOT.

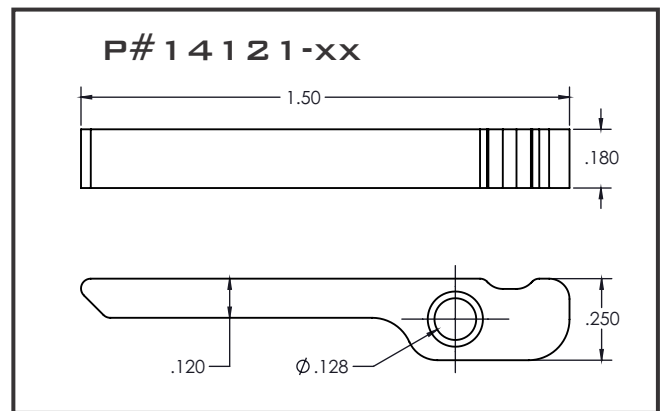


OPTIMIZED FOR VME AND CPCI



KEY FEATURES:

- MAX EJECTION - 0.19"
- VME COMPLIANT
- CPCI COMPLIANT
- UNIVERSAL / REVERSIBLE
- FIELD REPLACEABLE
- INJECTION / EJECTION
- LOW PROFILE DESIGN
- ERGONOMIC DESIGN
- 3D MODELS AVAILABLE
- 3.3X MECHANICAL ADVANTAGE
- UP TO 160LBS INSERTION / EXTRACTION FORCE



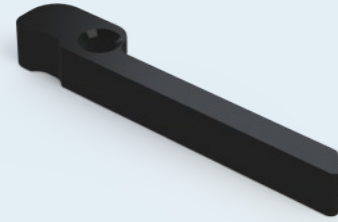
MATERIAL:

ALUMINUM AL7075-T7351
HARDWARE SS300 SERIES

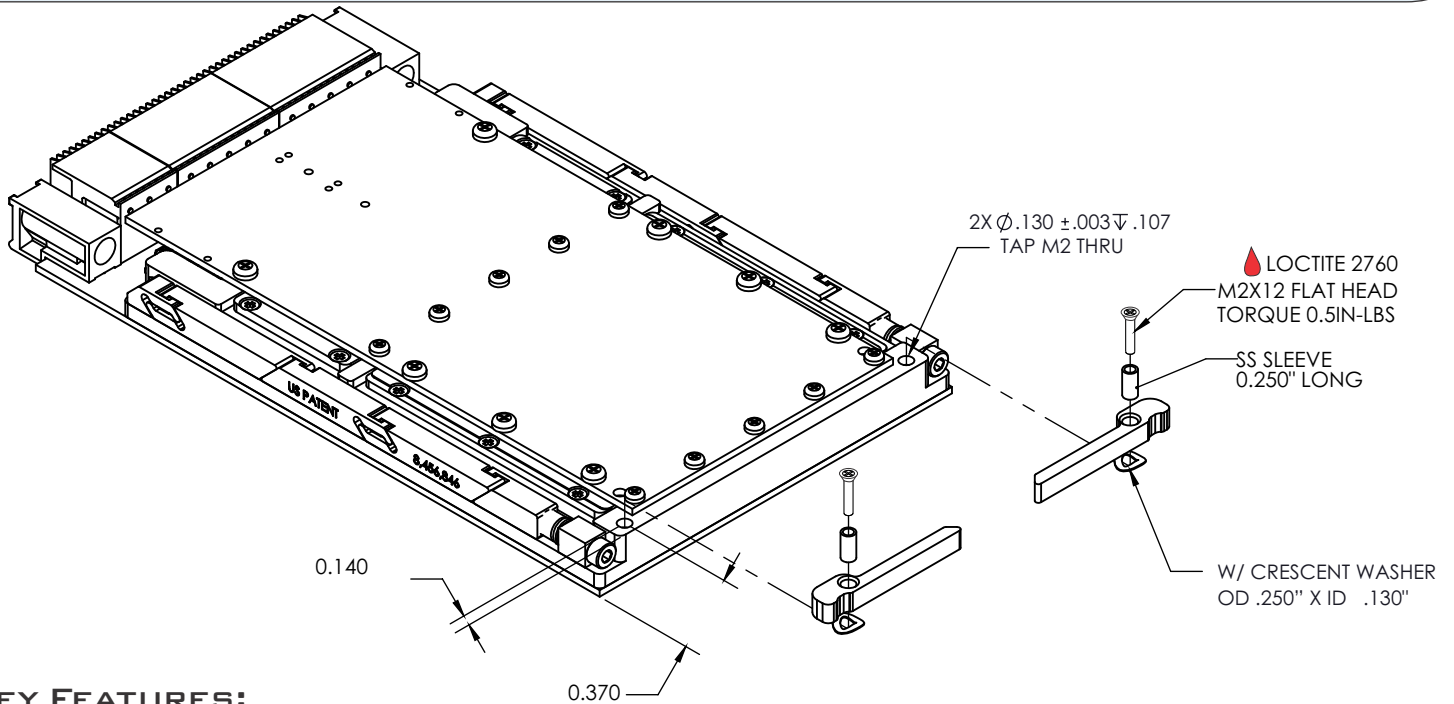
FINISH (-XX):

- BA** - BLACK ANODIZE PER MIL-A-8625, TYPE II, CLASS 2
- BH** - HARD BLACK ANODIZE PER MIL-A-8625, TYPE III, CLASS 2
- CC** - CHEMICAL FILM PER MIL-C-5541, CLASS 1A, CLEAR
- CG** - CHEMICAL FILM PER MIL-C-5541, CLASS 1A, GOLD, NON-ROHS
- EN** - ELECTROLESS NICKEL PER MIL-C-26074, CLASS 4, GRADE B, BRIGHT

THE OPENCOTS 3U EJECTORS REPRESENT AN INNOVATIVE APPROACH TO CREATE A FIELD REPLACEABLE INJECT / EJECT HANDLE FOR CPCI AND VME/VPX DESIGNS. THE EJECTOR HANDLES ARE ERGONOMICALLY DESIGNED TO PROVIDE A MECHANICAL ADVANTAGE ENTERING AND EXITING A CHASSIS SLOT.

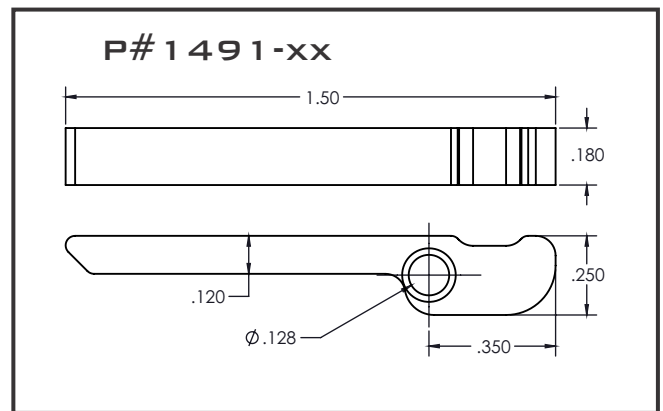


OPTIMIZED FOR VME AND CPCI



KEY FEATURES:

- MAX EJECTION - 0.19"
- VME COMPLIANT
- CPCI COMPLIANT
- UNIVERSAL / REVERSIBLE
- FIELD REPLACEABLE
- INJECTION / EJECTION
- LOW PROFILE DESIGN
- ERGONOMIC DESIGN
- 3D MODELS AVAILABLE
- 3.3X MECHANICAL ADVANTAGE
- UP TO 160LBS INSERTION / EXTRACTION FORCE



MATERIAL:

ALUMINUM AL7075-T7351
HARDWARE SS300 SERIES

FINISH (-XX):

- BA** - BLACK ANODIZE PER MIL-A-8625, TYPE II, CLASS 2
- BH** - HARD BLACK ANODIZE PER MIL-A-8625, TYPE III, CLASS 2
- CC** - CHEMICAL FILM PER MIL-C-5541, CLASS 1A, CLEAR
- CG** - CHEMICAL FILM PER MIL-C-5541, CLASS 1A, GOLD, NON-ROHS
- EN** - ELECTROLESS NICKEL PER MIL-C-26074, CLASS 4, GRADE B, BRIGHT

PART NUMBER BUILDER - KITS

14104 - BA - 250

EJECTOR STYLE

PLATED SURFACE FINISH

STANDOFF LENGTH

3U STYLES

6U STYLES

1472	1424
1473	1425
14021	1485
14022	1486
1491	1447
14104	1448
14036	1445
14035	1446
14090	14113
14121	14114
14283	14306

1/4" - 250
 5/16" - 3125

INCLUDES
 MATCHING
 M2 SCREW
 MOUNTING

BLACK ANODIZE PER MIL-A-8625, TYPE II, CLASS 2 - BA
 HARD BLACK ANODIZE PER MIL-A-8625, TYPE III, CLASS 3 - BH
 CHEMICAL FILM PER MIL-C-5541, CLASS 1A, CLEAR - CC
 CHEMICAL FILM PER MIL-C-5541, CLASS 1A, GOLD, NON-ROHS - CG
 ELECTROLESS NICKEL PER MIL-C-26074, CLASS 4, GRADE B, BRIGHT - EN