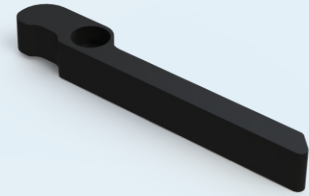
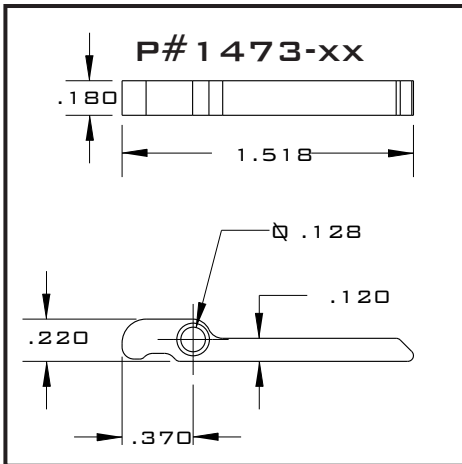
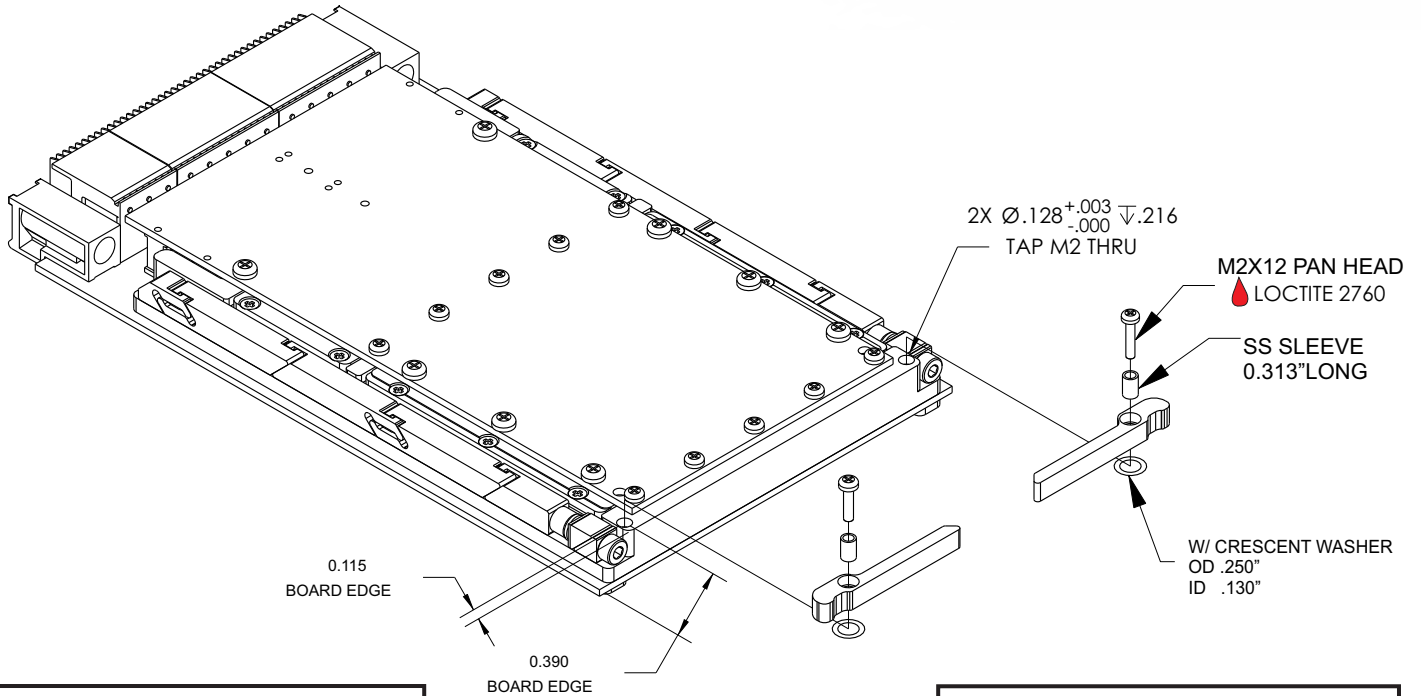


THE OPENCOTS 3U EJECTORS REPRESENT AN INNOVATIVE APPROACH TO CREATE A FIELD REPLACEABLE INJECT / EJECT HANDLE FOR CPCI AND VME/VPX DESIGNS. THE EJECTOR HANDLES ARE ERGONOMICALLY DESIGNED TO PROVIDE A MECHANICAL ADVANTAGE ENTERING AND EXITING A CHASSIS SLOT.

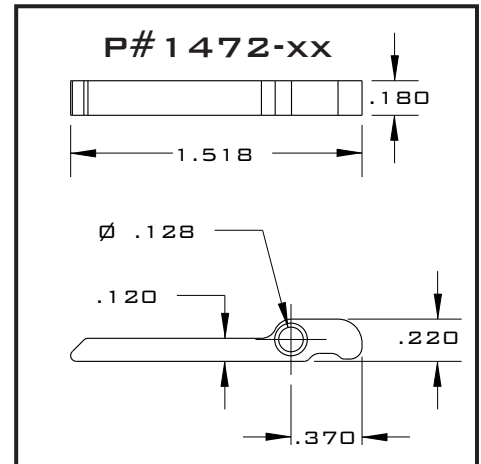


OPTIMIZED FOR VITA 48.2 AND CPCI



FEATURES:

- FIELD REPLACEABLE
- INJECTION / EJECTION
- VITA 48.2 COMPLIANT
- VME COMPLIANT
- CPCI COMPLIANT
- LOW PROFILE DESIGN
- ERGONOMIC DESIGN
- 3D MODELS AVAILABLE



MATERIAL:

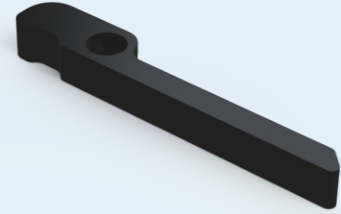
ALUMINUM AL7075
HARDWARE SS300 SERIES

FINISH (-XX):

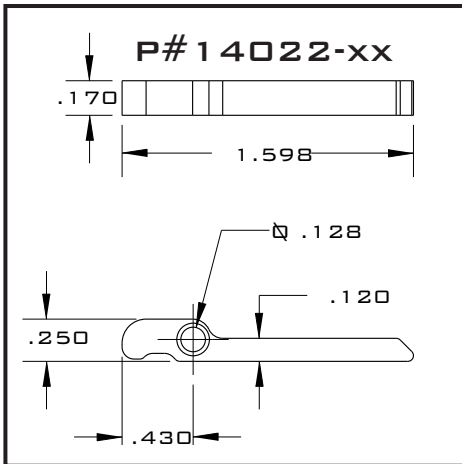
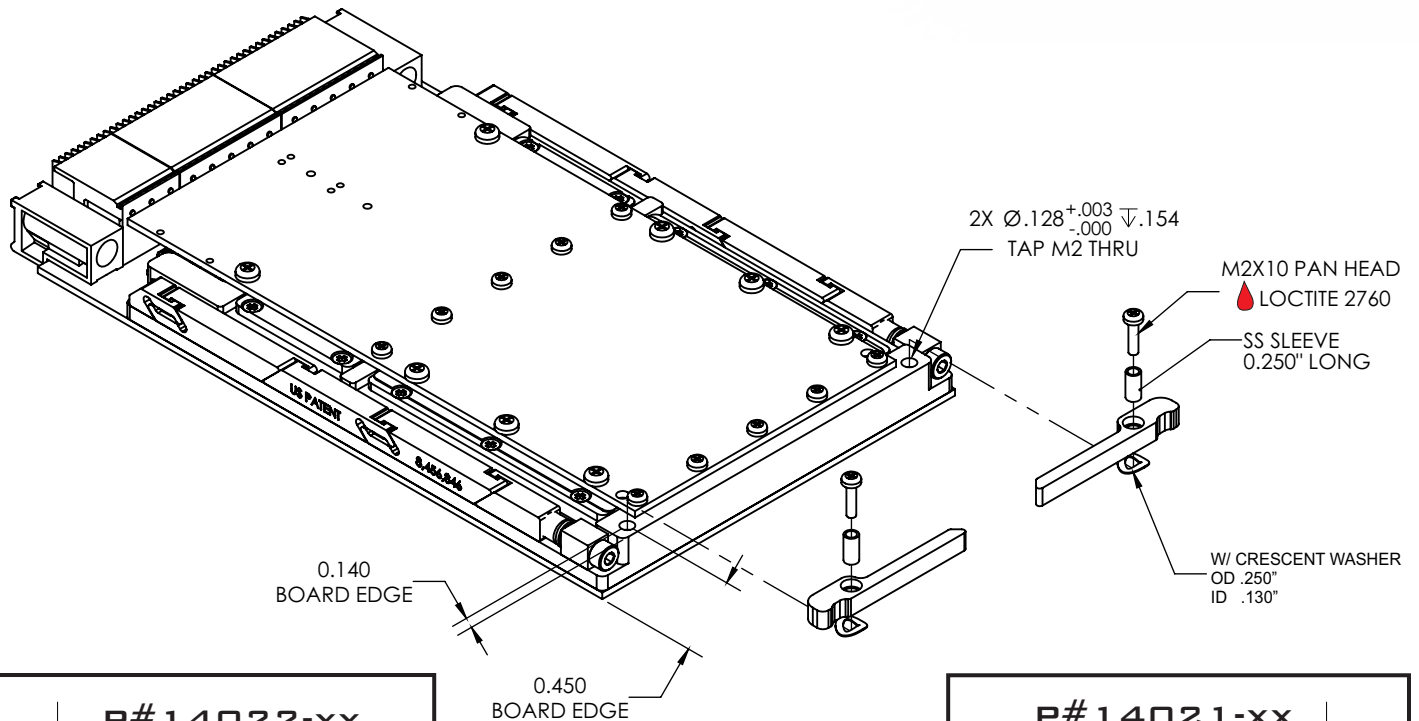
- BA** - BLACK ANODIZE PER MIL-A-8625, TYPE II, CLASS 2
- BH** - HARD BLACK ANODIZE PER MIL-A-8625, TYPE III, CLASS 2
- CC** - CHEMICAL FILM PER MIL-C-5541, CLASS 1A, CLEAR
- CG** - CHEMICAL FILM PER MIL-C-5541, CLASS 1A, GOLD, NON-ROHS
- EN** - ELECTROLESS NICKEL PER MIL-C-26074, CLASS 4, GRADE B, BRIGHT



THE OPENCOTS 3U EJECTORS REPRESENT AN INNOVATIVE APPROACH TO CREATE A FIELD REPLACEABLE INJECT / EJECT HANDLE FOR CPCI AND VME/VPX DESIGNS. THE EJECTOR HANDLES ARE ERGONOMICALLY DESIGNED TO PROVIDE A MECHANICAL ADVANTAGE ENTERING AND EXITING A CHASSIS SLOT.

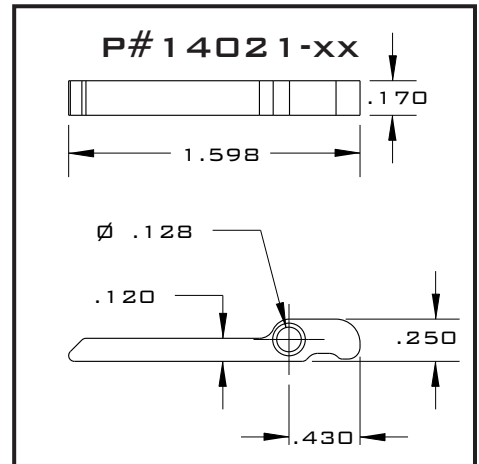


OPTIMIZED FOR VITA 48.2 AND CPCI



FEATURES:

- FIELD REPLACEABLE
- INJECTION / EJECTION
- VITA 48.2 COMPLIANT
- VME COMPLIANT
- CPCI COMPLIANT
- LOW PROFILE DESIGN
- ERGONOMIC DESIGN
- 3D MODELS AVAILABLE



MATERIAL:

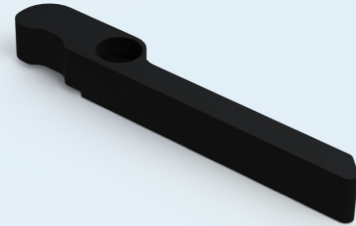
ALUMINUM AL6061-T6
HARDWARE SS300 SERIES

FINISH (-XX):

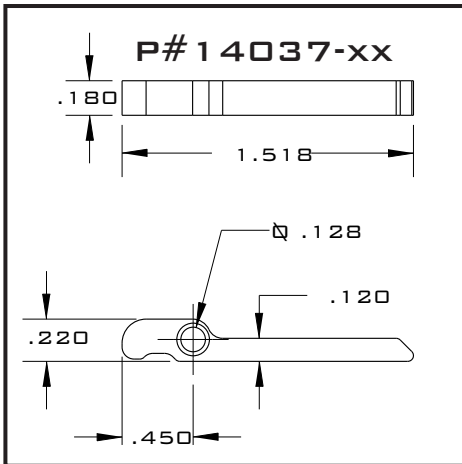
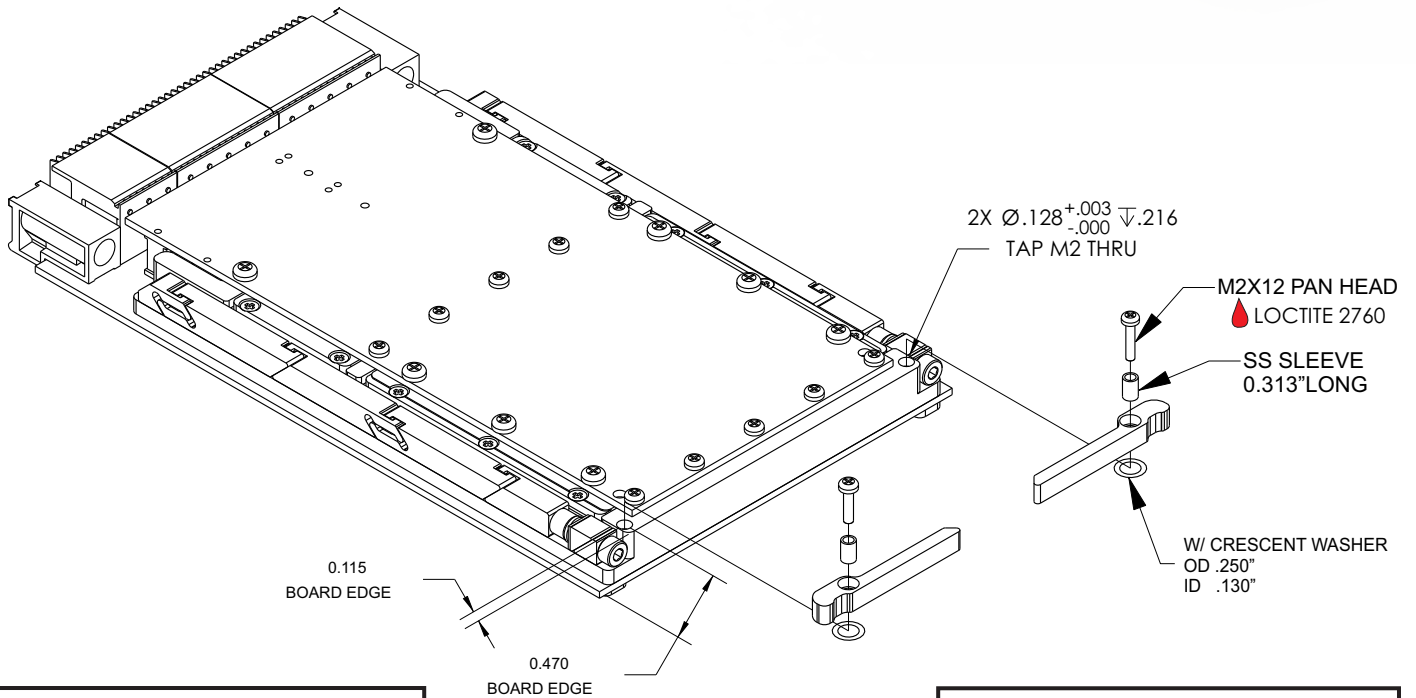
- BA** - BLACK ANODIZE PER MIL-A-8625, TYPE II, CLASS 2
- BH** - HARD BLACK ANODIZE PER MIL-A-8625, TYPE III, CLASS 2
- CC** - CHEMICAL FILM PER MIL-C-5541, CLASS 1A, CLEAR
- CG** - CHEMICAL FILM PER MIL-C-5541, CLASS 1A, GOLD, NON-ROHS
- EN** - ELECTROLESS NICKEL PER MIL-C-26074, CLASS 4, GRADE B, BRIGHT



THE OPENCOTS 3U EJECTORS REPRESENT AN INNOVATIVE APPROACH TO CREATE A FIELD REPLACEABLE INJECT / EJECT HANDLE FOR CPCI AND VME/VPX DESIGNS. THE EJECTOR HANDLES ARE ERGONOMICALLY DESIGNED TO PROVIDE A MECHANICAL ADVANTAGE ENTERING AND EXITING A CHASSIS SLOT.

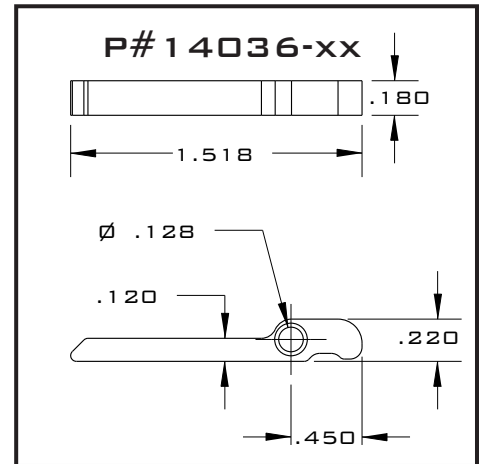


OPTIMIZED FOR VITA 48.2 AND CPCI



FEATURES:

- FIELD REPLACEABLE
- INJECTION / EJECTION
- VITA 48.2 COMPLIANT
- VME COMPLIANT
- CPCI COMPLIANT
- LOW PROFILE DESIGN
- ERGONOMIC DESIGN
- 3D MODELS AVAILABLE



MATERIAL:

ALUMINUM AL6061-T6
HARDWARE SS300 SERIES

FINISH (-XX):

- BA** - BLACK ANODIZE PER MIL-A-8625, TYPE II, CLASS 2
- BH** - HARD BLACK ANODIZE PER MIL-A-8625, TYPE III, CLASS 2
- CC** - CHEMICAL FILM PER MIL-C-5541, CLASS 1A, CLEAR
- CG** - CHEMICAL FILM PER MIL-C-5541, CLASS 1A, GOLD, NON-ROHS
- EN** - ELECTROLESS NICKEL PER MIL-C-26074, CLASS 4, GRADE B, BRIGHT



PART NUMBER BUILDER - KITS

14036 - BA - 3125

**EJECTOR
STYLE #**
**PLATED
SURFACE
FINISH**
**STANDOFF
LENGTH**
**3U
STYLES**
**6U
STYLES**

| | |
|-------|-------|
| 1472 | 1424 |
| 1473 | 1425 |
| 14021 | 1485 |
| 14022 | 1486 |
| 1491 | 1447 |
| 14104 | 1448 |
| 14036 | 1445 |
| 14035 | 1446 |
| 14090 | 14113 |
| 14121 | 14114 |

3/16" - 1875
 1/4" - 250
 5/16" - 3125
 3/8" - 375

**INCLUDES
MATCHING
MOUNTING
SCREW**

BLACK ANODIZE PER MIL-A-8625, TYPE II, CLASS 2 - BA
 HARD BLACK ANODIZE PER MIL-A-8625, TYPE III, CLASS 3 - BH
 CHEMICAL FILM PER MIL-C-5541, CLASS 1A, CLEAR - CC
 CHEMICAL FILM PER MIL-C-5541, CLASS 1A, GOLD, NON-ROHS - CG
 ELECTROLESS NICKEL PER MIL-C-26074, CLASS 4, GRADE B, BRIGHT - EN
 NICKEL PLATE PER QQ-N-290, CLASS 1, GRADE G, BRIGHT - N