

# TOUCH SERIES - RGB REMOTE & CONTROLLER FOR RGB 24V STRIP LIGHT INSTALLATION DIAGRAMS

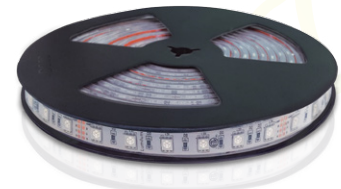
**IP54 RGB 24V Strip Light  
Model: LUM-601206-RGB**



**IP20 RGB 24V Strip Light  
Model: LUM-24305-RGB**



**IP67 RGB 24V Strip Light  
Model: LUM-24RGBP68-05**



**IP67 RGB 24V Strip Light  
Model: LUM-24RGBP68-10**



**RGB Touch Series Controller  
(Type 1: Unique Frequency)  
Model: LUM-RCTOSR01-1**



**RGB Touch Series Controller  
(Type 2: Common Frequency)  
Model: LUM-RCTOSR01-2**



**RGB LED Controller Signal  
Amplifier Touch Series  
Model: LUM-RCTA0SR3**



**Power Adapter  
96W / 24V  
Model: LUM-PA2496W2**



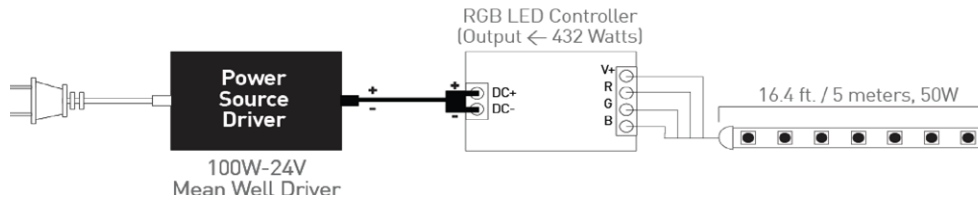
**Mean Well Drivers  
Model: LUM-MWXXX24H**



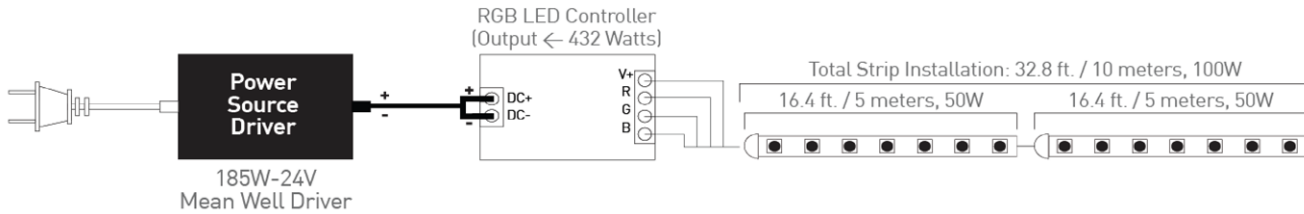
100W/24V :  
Model: LUM-MW10024H  
185W/24V :  
Model: LUM-MW18524H  
240W/24V :  
Model: LUM-MW24024H  
320W/24V :  
Model: LUM-MW32024H



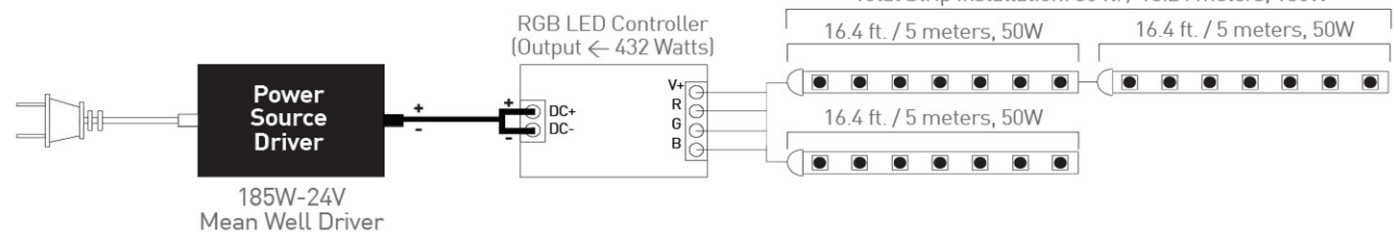
16.4 ft. (1 roll)



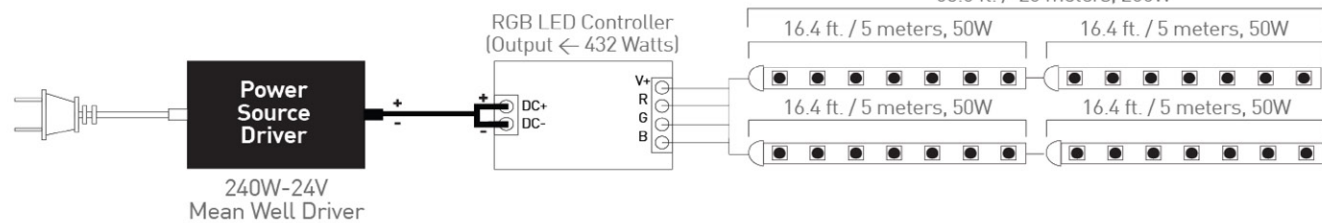
Up to 32.8 ft. (2 roll)



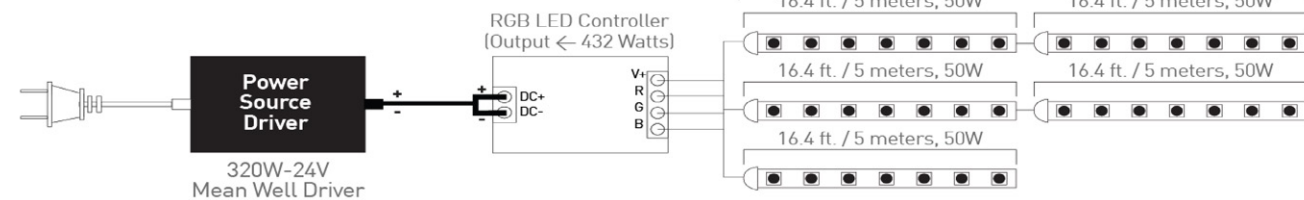
32.8 ft.-50 ft. (3 roll)



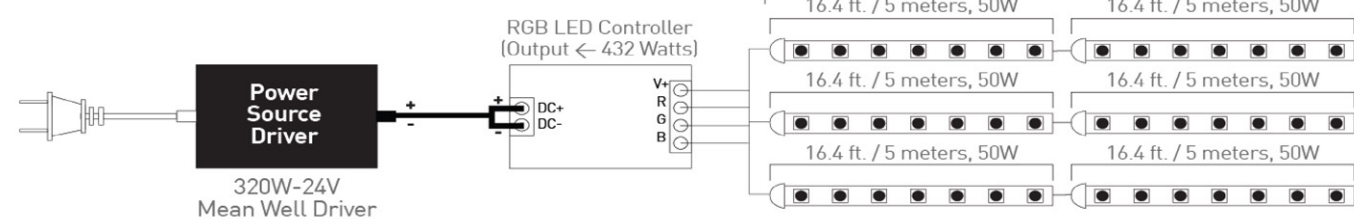
65.6 ft. (4 roll)

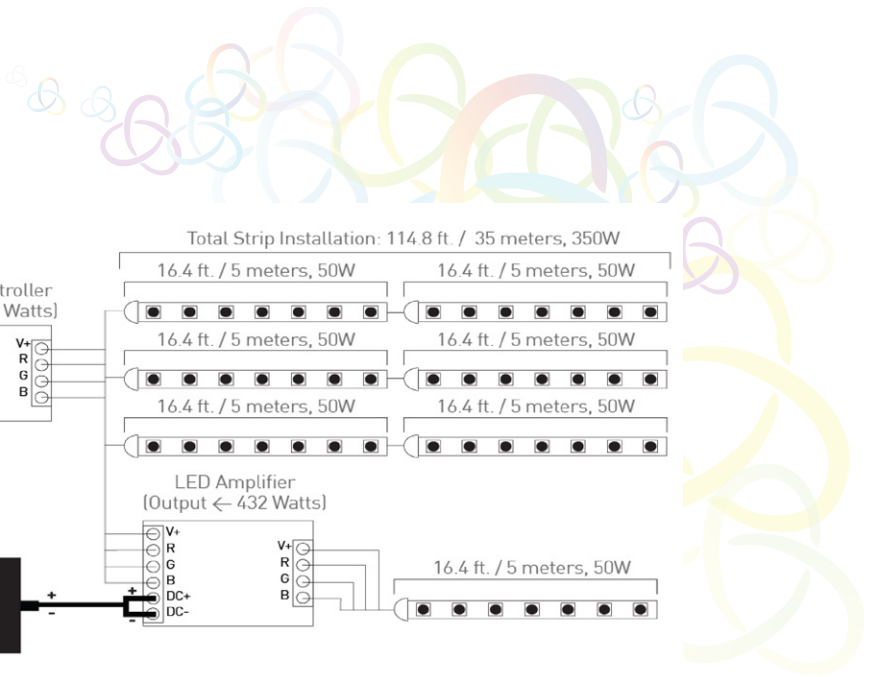


82 ft. (5 roll)

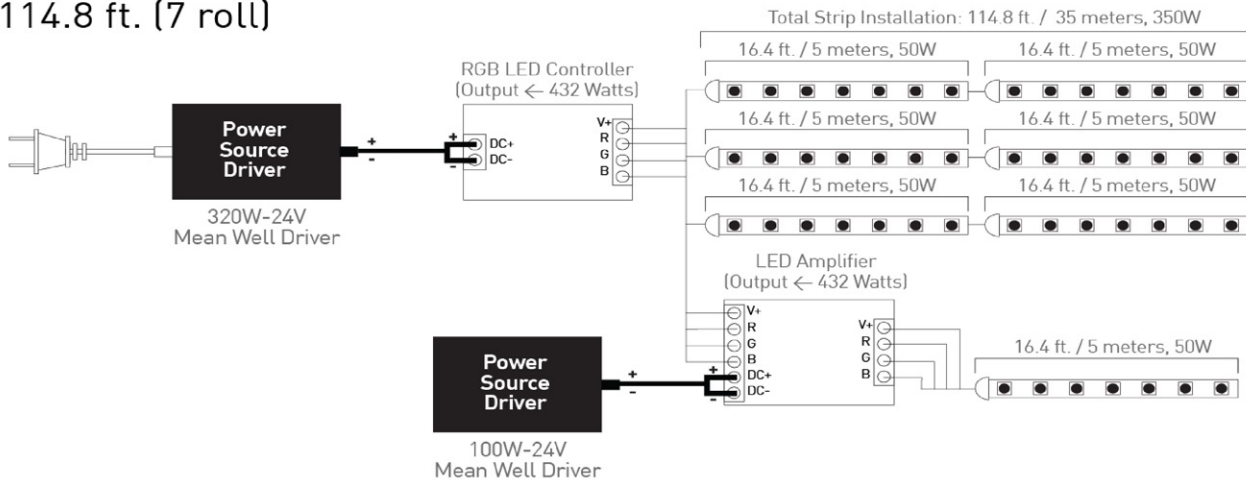


98.4 ft. (6 roll)

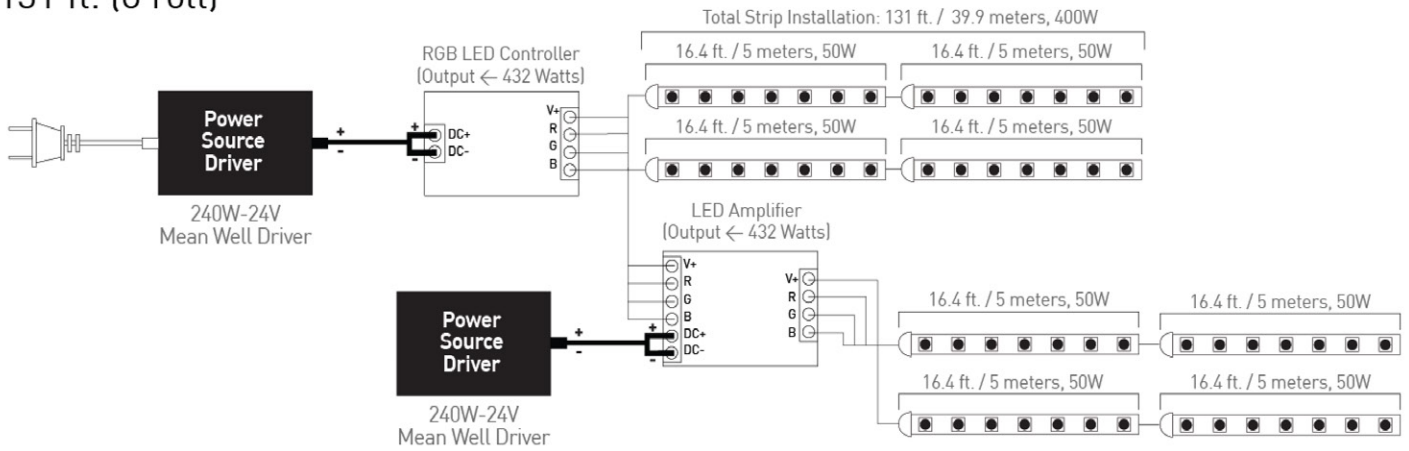




### 114.8 ft. (7 roll)



### 131 ft. (8 roll)



### 147 ft. (9 roll)

