

# IN-WALL MOUNTED RGB CONTROLLER SERIES

## 3 ZONE CONTROL-WIRELESS CONNECTION



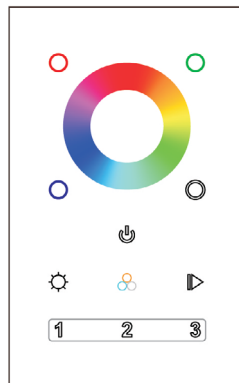
MODEL: LUM-U1228W

Control Lumilum RGB Lighting in 3 different zones using one controller. Controller has the capability of communicating wirelessly with several receivers in each zone. All receivers within one zone will respond to the same color changes.

## PRODUCTS REQUIRED

In-Wall RGB Controller  
LUM-U1228W

- Controls 3 zones
- Glass touch panel
- Capability to control RGB plus a white (Single Color LED Strip) for each zone



Transformer for Controller  
LUM-PA9120 (included with controller)



RGBW Radio Frequency Receiver  
LUM-RF1009



Lumilum LED Strip Light  
24305RGB

## POWER SOURCES



Plug-In LED Power Adapter  
PA2496W2

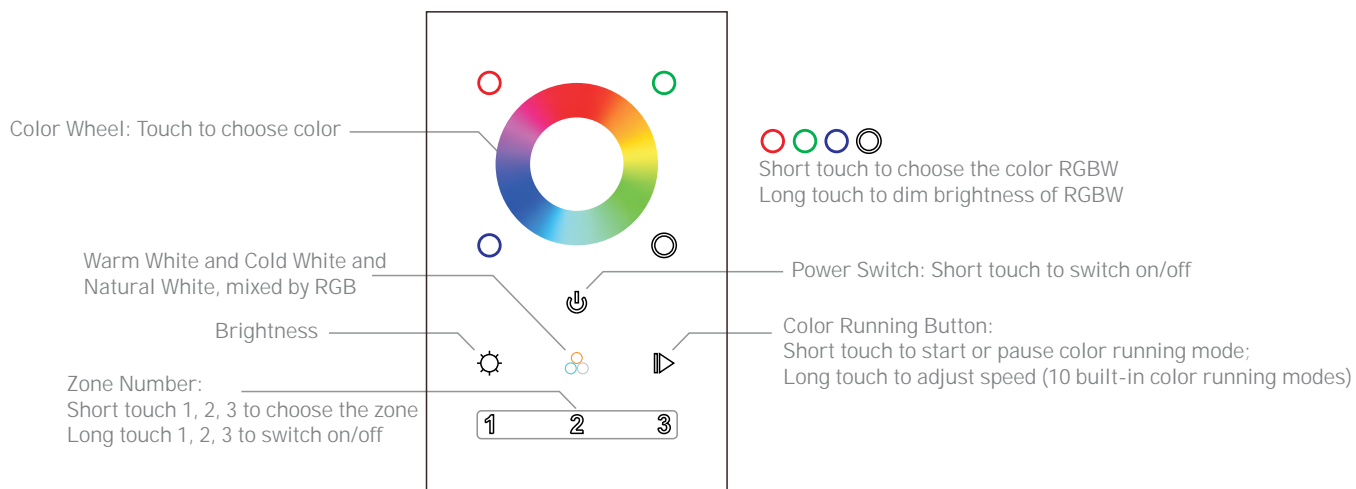
OR



Mean Well LED Driver  
MW10024H

# TECHNICAL SPECIFICATIONS

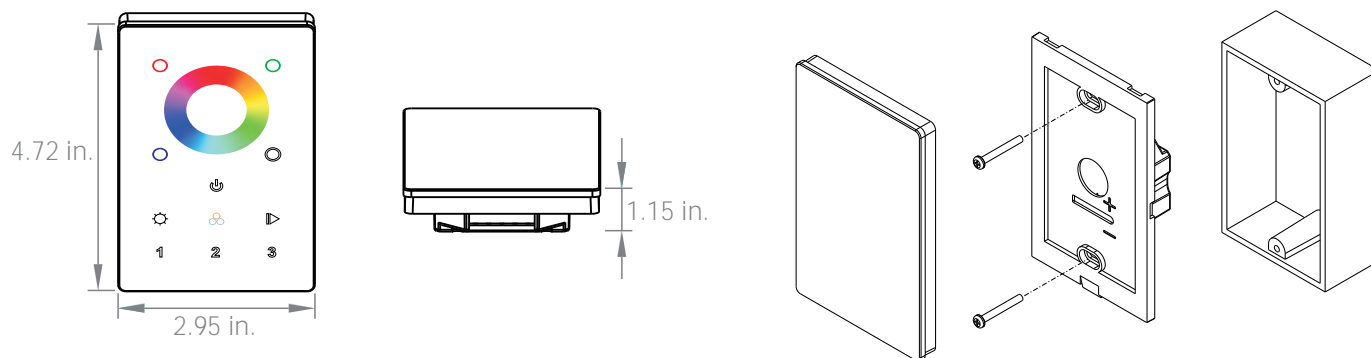
## Controller Instructions



## Parameters

Part No.	Operation Voltage	Output	Dimensions
LUM-U1228W	12-24VDC	434MHz/868MHz	4.72 x 2.95 x 1.15 in.

## Dimensions



## Installation and Operating Instructions

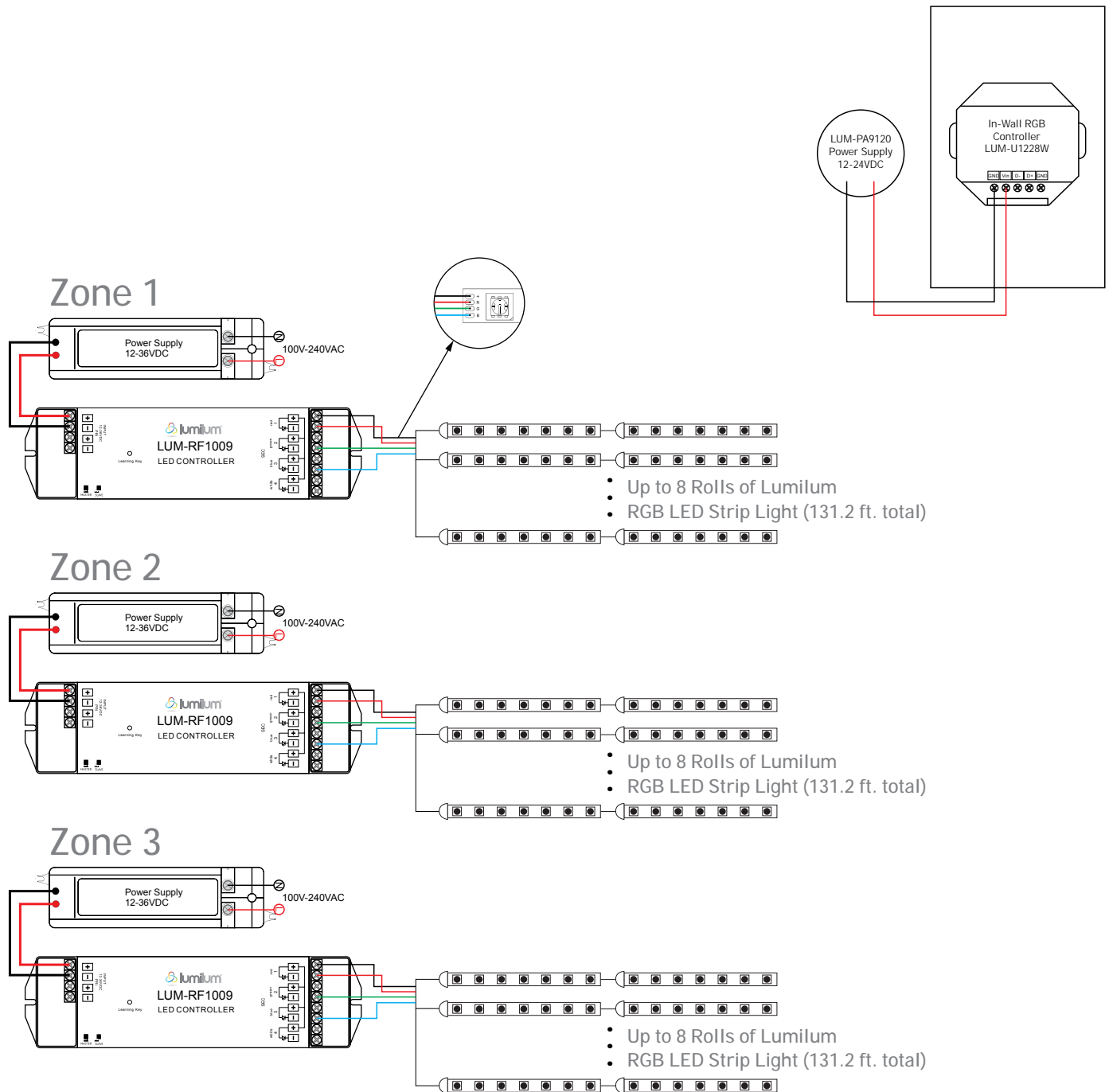
1. Install according to diagram.
2. Synchronize controller with receiver for each zone
  - a) Start controller with Power Switch
  - b) Press Receiving Switch (left compartment of receiver)
  - c) Press the zone letter of choice (1, 2 or 3)
  - d) Press Color Wheel on controller
  - e) Lights will blink and confirm that controller for the chosen zone is synchronized
3. When several receivers are used in one zone, one receiver should be designated MASTER and the other SLAVE by placing the jumper chip in the left compartment of receiver as follows:



Do this after synchronizing each receiver with controller.

# TECHNICAL SPECIFICATIONS

## Installation Diagram



Note: Multiple receivers may be used in each zone. Within the same zone, set one to be a master and the others to be slaves.