



MODEL: LUM-1Z138W

IN-WALL MOUNTED RGB CONTROLLER SERIES

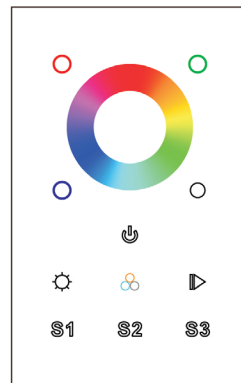
1 ZONE CONTROL-HARDWIRED CONNECTION

Control Lumilum RGB Lighting in one zone using one or as many RGB receivers as required. All receivers will respond to the same color changes. Controller is hardwired to the receiver. This controller uses DMX technology.

PRODUCTS REQUIRED

In-Wall RGB Controller
LUM-1Z138W

- Controls 1 zone
- 3 scenes saving options (S1, S2, S3)
- Glass touch panel
- Capability to control RGB plus a white (Single Color LED Strip)



Transformer for Controller
LUM-PA9120 (included with controller)



RGB DMX Hardwired Receiver
LUM-DMX212



Lumilum LED Strip Light
24305RGB

POWER SOURCES



Plug-In LED Power Adapter
PA2496W2

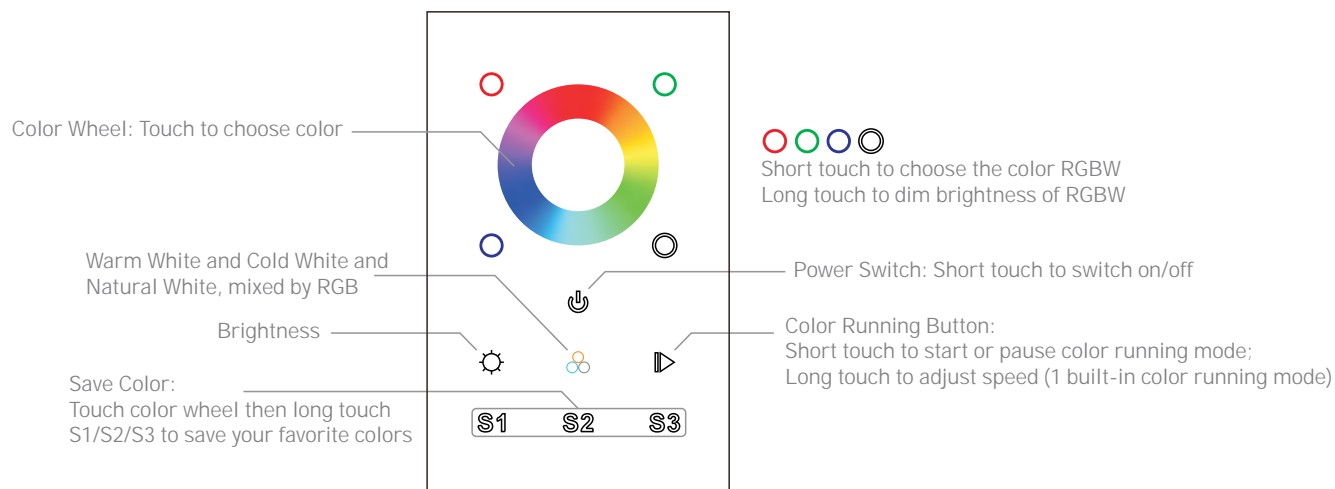
OR



Mean Well LED Driver
MW10024H

TECHNICAL SPECIFICATIONS

Controller Instructions

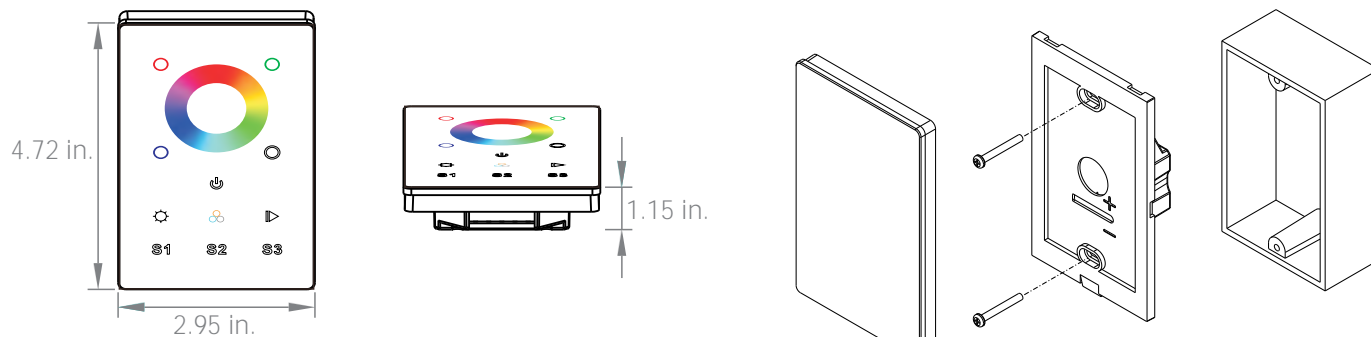


Note: Controller requires a transformer, LUM-PA9120 (included with controller)

Parameters

Part No.	Operation Voltage	Output	Dimensions
LUM-1Z138W	12-24VDC	434MHz/868MHz	4.72 x 2.95 x 1.15 in.

Dimensions & Installation



Receiver Installation

1. Install following the installation diagram.
2. Set DMX Address to 001. (Receiver automatically sets 001, 002, 003 and 004 to control RGB colors).
3. Each DMX Receiver can power up to 8 Lumilum RGB Strip Lights (24V/72W per roll).
4. Several receivers can be controlled by one controller as shown in the diagram.
5. Use 18 gage color coded wire.
6. Do not use a power source > 600W 24V.

TECHNICAL SPECIFICATIONS

Installation Diagram

