



# LED WALL PACK

MODELS: LUM-5WVG01-01  
LUM-8WVG01-01

Lumilum® LED Wall Packs are highly efficient with 150 Lumens/Watt performance, durable and easy to install. All models are UL Certified. Perfectly suited for outdoor lighting such as: building exteriors, walkways, parking areas, landscape and all areas where more light and the benefit of security are required.



Available  
• 50 Watt  
• 80 Watt

Model #  
LUM-5WVG01-01  
LUM-8WVG01-01

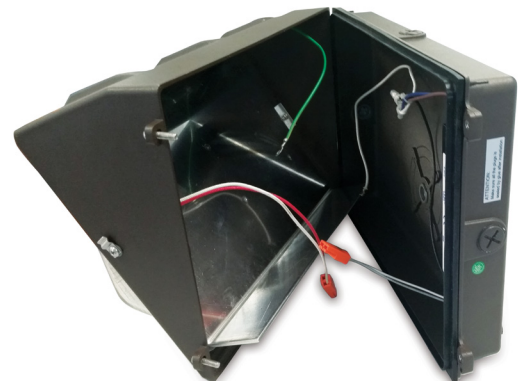
## PRODUCT FEATURES

- This LED flood light uses the latest solid state lighting technology for long life, low maintenance, and high efficiency.
- An internal power factor corrected switch mode supply allows it to be used from any nominal 100-277V, 60Hz AC supply without any variation in light output.
- Suitable for use in the following locations:
  - Ambient Temperatures: -4°F to 104°F (-20°C to 40°C)
  - Wet Location Rated



## IDEAL USES

Lumilum® LED Wall Packs provide maintenance-free illumination for outdoor and commercial use. These Lumilum® LED lights are luminous and offer a uniform distribution of lighting that is optimal for building exteriors, parking areas, walkways, garages and outdoor spaces requiring added safety, lighting and security.



## Performance

LED Wall Pack Model #	LUM-5WMG01-01	LUM-8WMG01-01
Input Volatge	100 - 277 V	100 - 277V
Input Wattage	50W	80W
LED Chip	Lumileds	Lumileds
Power Factor (PF)	≥0.90	≥0.90
Lumens (Lm)	7,500	12,000
Efficiency (Lm/W)	150	150
Color Rendering Index (CRI)	>80	>80
Color Temperature (CCT)	5000K	5000K
Beam Angle (°)	120°	120°
Certification	UL / cUL (E364257)	UL / cUL (E364257)

### Warning:

To avoid the risk of fire, explosion, or electric shock, this product should be installed, inspected, and maintained by a qualified electrician only, in accordance with all applicable codes.

### To Avoid Electric Shock:

Be certain electrical power is OFF before and during installation and maintenance. Luminaire must be connected to a wiring system with an equipment-grounding conductor. For supply connections use wire rated for at least 100°C

### Installation & Diagrams:

1. Please refer to the **Fig.1** to select the suitable mounting holes.
  - A - For the mounting surface with a J-box
  - B - For the mounting surface without a J-box.
2. See **Fig. 2**, Open the door, fix the back plate of the fixture on the mounting surface by the screws.
3. Make sure to wire correctly.
4. Close the door and secure it by the screws remaining on the hinges of the door.
5. When installing the models LUM-5WMG01-01 and LUM-8WMG01-01, Please install the shield as well. Clip the shield on both sides of the door. Secure it at the top by where the screws are held.

Fig.1 Mounting Holes Option

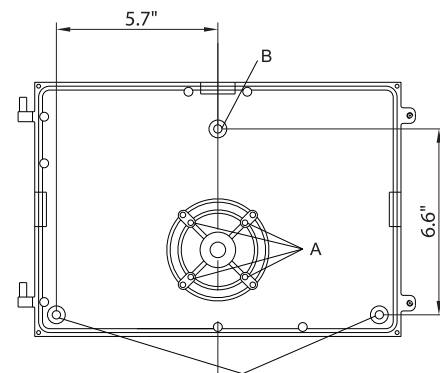
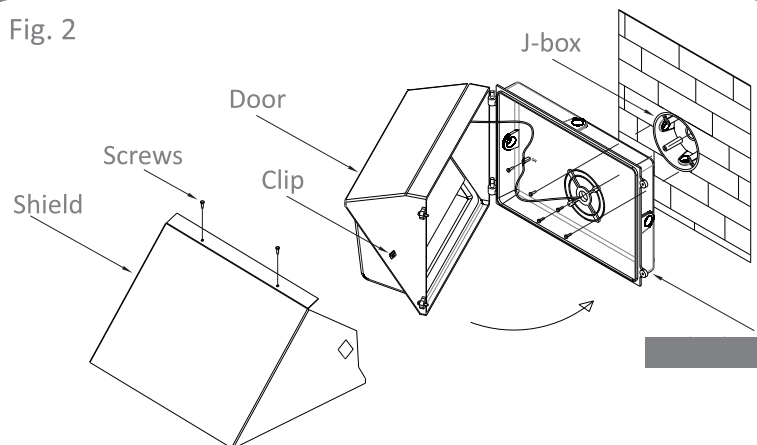
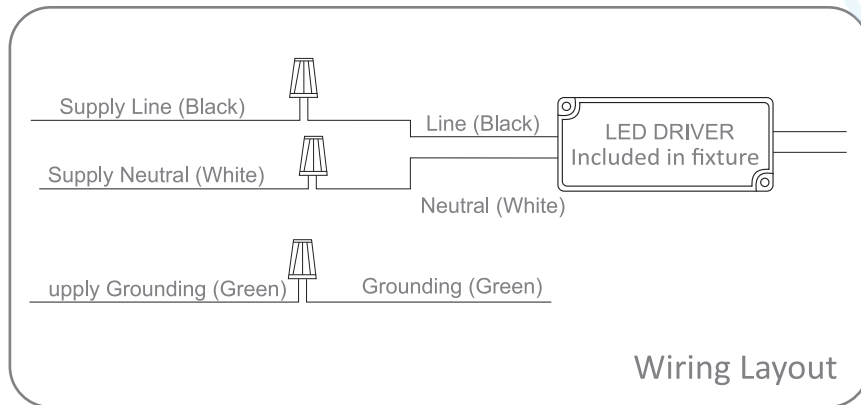


Fig. 2



## Wiring:

- All fixtures can operate at 100-277VAC, 50 or 60 Hz
- Caution : When a photocell is mounted on the fixture, please pay attention to the rated voltage photocell.



## Shipping Dimensions and Weight:

50 Watt - 16.5"(L) x 14"(W) x 10" (H), 11.5 Lbs.

80 Watt - 16.5"(L) x 14"(W) x 10" (H), 13 Lbs.

