



**120V & 24V Channels & Accessories Series:
Aluminum U-Channel Series | PVC U-Channel Series |
Surface Mount Channel with Diffuser Series | Recessed Channel
with Diffuser Series | Black Anodized Aluminum Channel Series |**



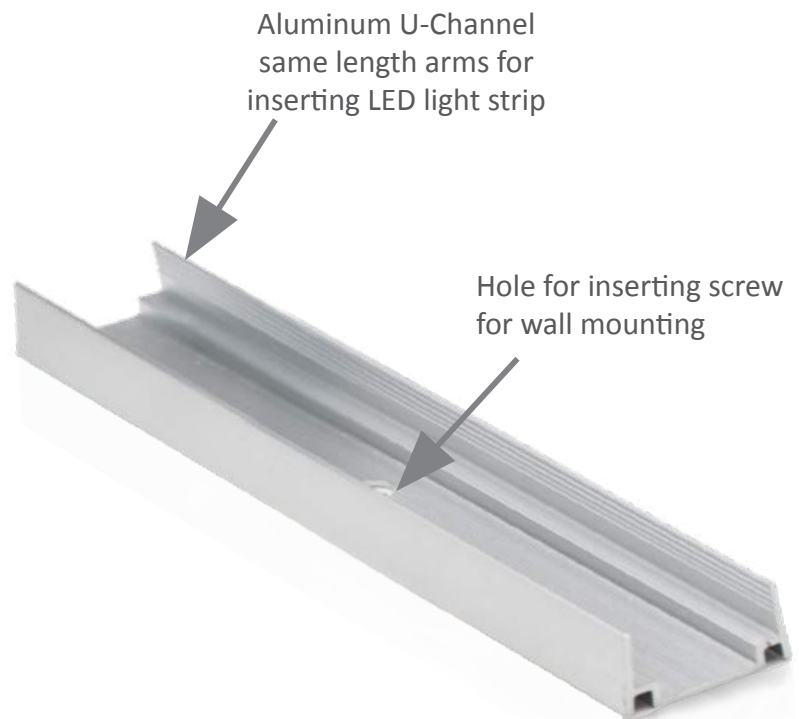
ALUMINUM U-CHANNEL SERIES ALUMINUM ENCASEMENT / 120V

Lumilum® Aluminum U-Channels are U-shaped and can be used for any project, residential or commercial, where strip mounting and perfect alignment is required, or where the strip light cannot be completely concealed. Using LED channels give the seamless, professional finish your project deserves. These U-Channels are easy to install, available in a variety of lengths to ensure solutions for all uses. Lumilum® Aluminum U-Channels have an aluminum casing with excellent corrosion resistance, moderate formability, and good weldability. Different connectors are available to aid in perfecting the most precise LED lighting jobs. These Channels are U-shaped and are used for mounting Lumilum® 120V Single Color and 120V RGB ("B34XT" Series) Strip Lights. Made with high purity aluminum as opposed to plastic, aluminum maintains its color and structure over time, ensuring a long-lasting, professional look for your lighting project.



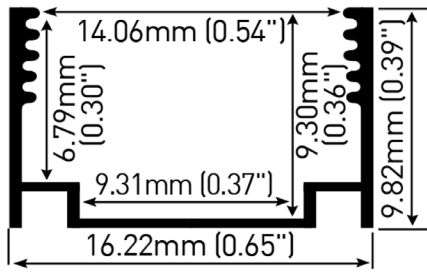
PRODUCT FEATURES

- Available in sizes: 0.5", 1ft. and 4ft.
- Aluminum Encasement
- Corrosion Resistant
- Moderate formability
- Good weldability
- Channel can be mounted using screws (included) in pre-drilled holes
- Can be trimmed with proper aluminum metal cutting tools
- LED Strip fits perfectly into the aluminum channel for a professionally installed look
- Seamless metal finish

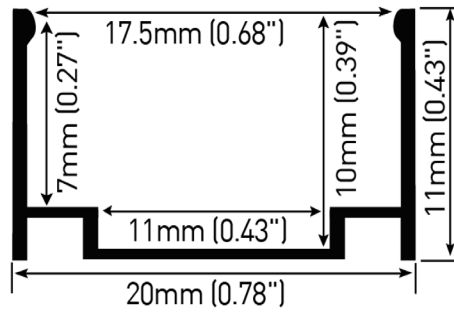


PROFILE MEASUREMENTS

120V SINGLE COLOR SERIES



120V RGB B34XT SERIES



0.5" Aluminum
U-Channel
LUM-120505-U0



0.5" Aluminum
U-Channel
LUM-B34XTS-U0



1ft. Aluminum U-Channel
(No Diffuser)
LUM-120505-U1



1ft. Aluminum
U-Channel (No Diffuser)
LUM-B34XTS-U



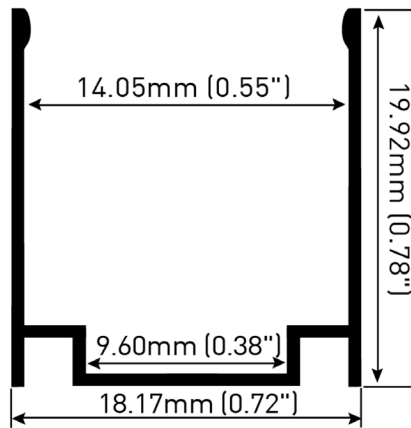
4ft. Aluminum
U-Channel (No Diffuser)
LUM-120505-U4



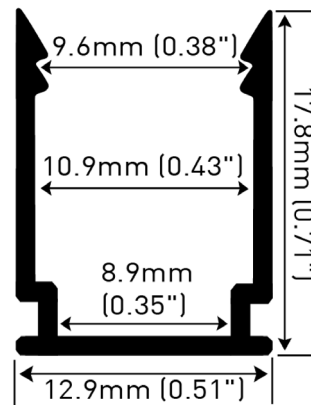
4ft. Aluminum
U-Channel (No Diffuser)
LUM-B34XTS-U4

PROFILE MEASUREMENTS

**120V SINGLE COLOR & RGB
NEON STANDARD SERIES**



**120V SINGLE COLOR
NEON PETITE SERIES**



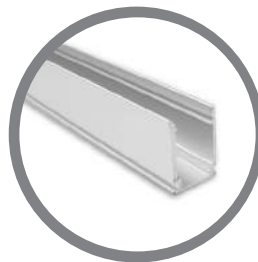
0.5" Aluminum
U-Channel (Set of 6)
LUM-120NEO-U0



0.5" Aluminum
U-Channel (Set of 6)
LUM-M10NEO-U0



4ft. Aluminum
U-Channel (No Diffuser)
LUM-120NEO-U4

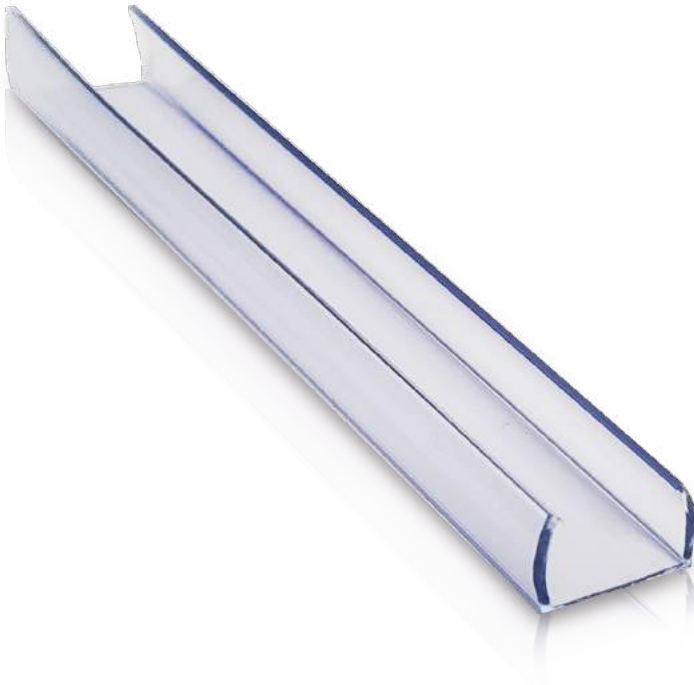


4ft. Aluminum
U-Channel (No Diffuser)
LUM-M10NEO-U4



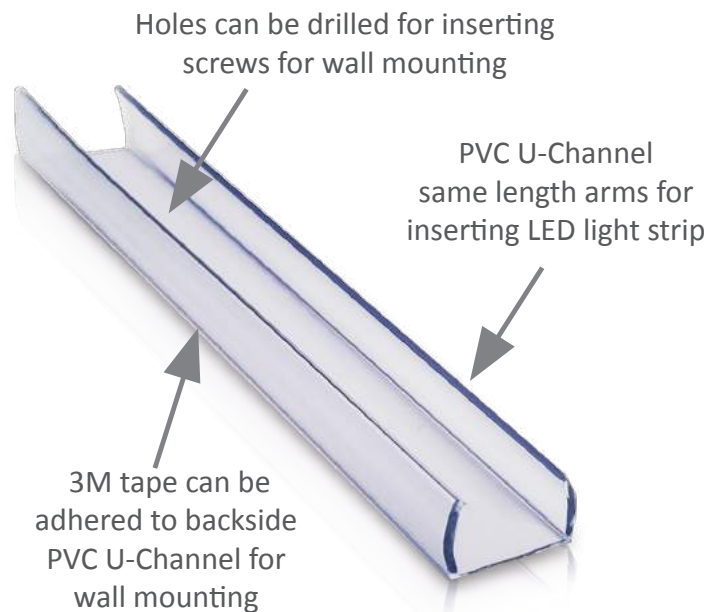
PVC U-CHANNEL SERIES PVC ENCASEMENT / 120V

Lumilum® PVC U-Channels are U-shaped and can be used for any project, residential or commercial, where strip mounting and perfect alignment is required, or where the strip light cannot be completely concealed. Using LED channels give the seamless, professional finish your project deserves. These PVC U-Channels are easy to install, available in a 4ft. length a standard size to ensure solutions for all uses. Lumilum® PVC U-Channels are flexible, durable, and easily cuttable to the size of your choice to fit all LED installation project needs. These PVC channels are used for mounting Lumilum® 120V Single Color, 120V RGB ("B34XT" Series) and 120V Flexible LED Neon Strip Light Series in both Standard and Petite sizes. PVC is a cost-effective plastic material that is long lasting and guaranteed to make your project look flawless.



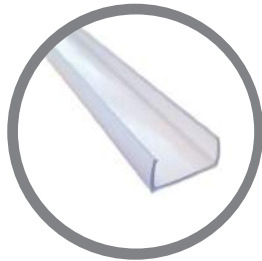
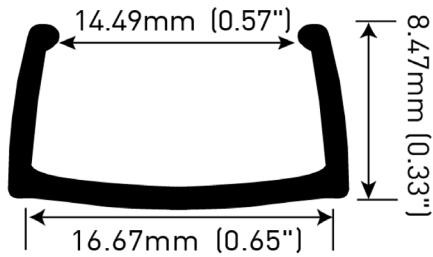
PRODUCT FEATURES

- Available in 4ft. length
- PVC Encasement
- Flexible
- Durable
- Channel can be mounted using screws or 3M Adhesive tape (not included)
- Easily cuttable to the size of your choice
- Long lasting plastic material
- Cost effective
- LED Strip fits perfectly into the PVC encasement channel for a professionally installed look
- Flawless PVC clear finish



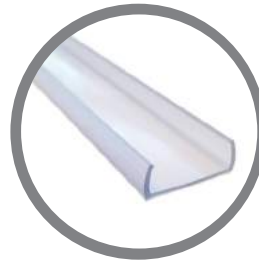
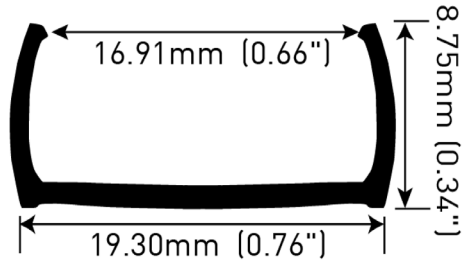
PROFILE MEASUREMENTS

120V SINGLE COLOR SERIES



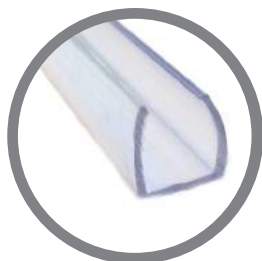
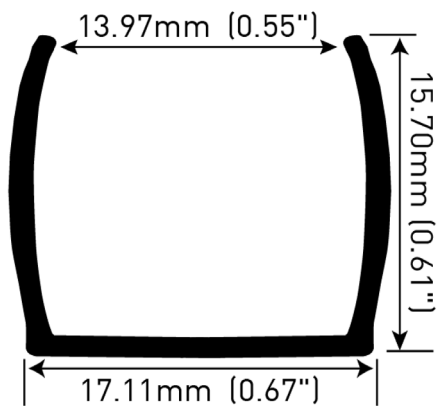
4ft. PVC U-Channel
(No Diffuser)
LUM-120505-PVCU4

120V RGB B34XT SERIES



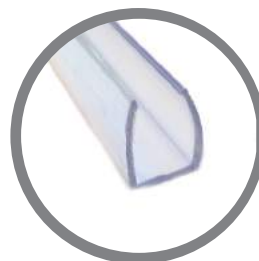
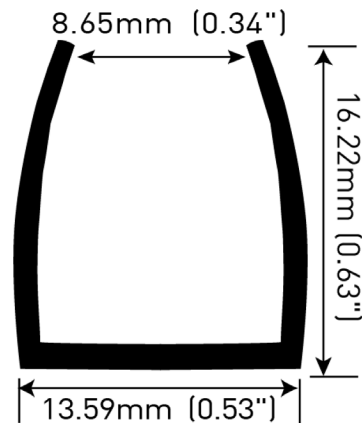
4ft. PVC U-Channel
(No Diffuser)
LUM-B34XTS-PVCU4

**120V SINGLE COLOR & RGB
NEON STANDARD SERIES**



4ft. PVC U-Channel
(No Diffuser)
LUM-NEO120-PVCU4

**120V SINGLE COLOR
NEON PETITE SERIES**

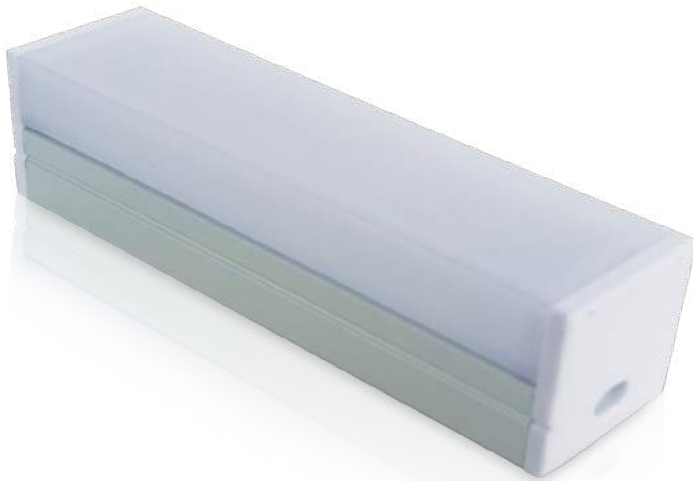


4ft. PVC U-Channel
(No Diffuser)
LUM-M10NEO-PVCU4



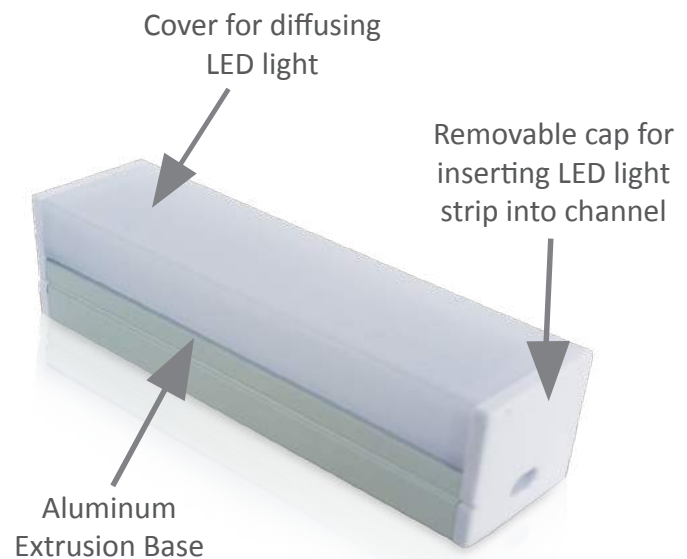
SURFACE MOUNT CHANNEL WITH DIFFUSER SERIES ALUMINUM EXTRUSION / 24V & 120V

Lumilum® Aluminum Extrusion Surface Mount Channels have an aluminum casing and are available in multiple sizes, equal leg lengths, squared corners, and comes with a frosted polished diffuser cover. Each extrusion channel is meant to house LED strip lights. Channel end caps are also available in two options: with a hole for wires or solid without a hole. These Aluminum Extrusion Surface Mount Channels have excellent corrosion resistance, moderate formability, and good weldability. Different connectors are also available to accommodate the most precise LED lighting jobs. The diffuser cover for the extrusion channels helps minimize the LED dot effect on reflective surfaces, making it the perfect go-to accessory for a uniform light effect.



PRODUCT FEATURES

- Available in sizes: 4ft., 8ft.
- Aluminum casing
- Corrosion resistant
- Frosted diffuser covers are available and fit perfectly into the aluminum channel
- Solid end caps & end caps with holes are available for passing wire the perfect accessory for capping off the LED strip end for a completed professional look
- Minimizes the LED Dot Effect
- Moderate formability and good weldability

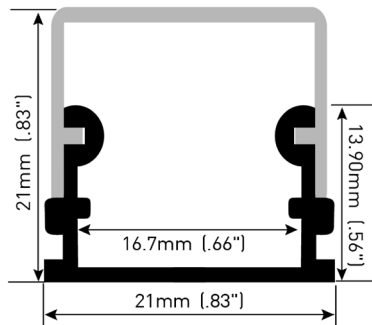




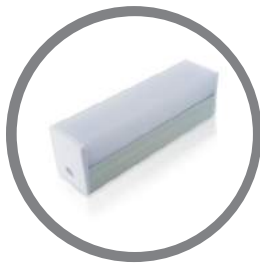
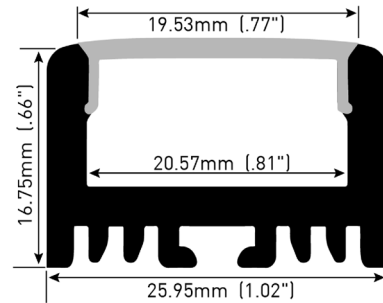
SURFACE MOUNT CHANNEL WITH DIFFUSER SERIES ALUMINUM EXTRUSION / 24V & 120V

PROFILE MEASUREMENTS

120V SINGLE COLOR SERIES



120V RGB B34XT SERIES



4ft. Aluminum Extrusion
Surface Mount Channel
with Diffuser
LUM-P2114-U4



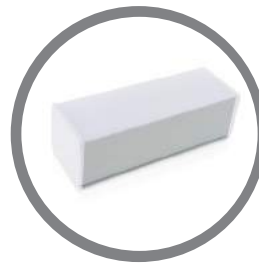
8ft. Aluminum Extrusion
Surface Mount Channel
with Diffuser
LUM-P2114-U8



Endcap Solid
LUM-P2114-ECN



Mounting Clip
LUM-P2114-CL



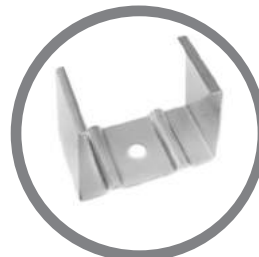
4ft. Aluminum Extrusion
Surface Mount Channel
with Diffuser
LUM-P2617-U4



8ft. Aluminum Extrusion
Surface Mount Channel
with Diffuser
LUM-P2617-U8



Endcap with Hole
LUM-P2617-ECH



Endcap Solid
LUM-P2617-ECN

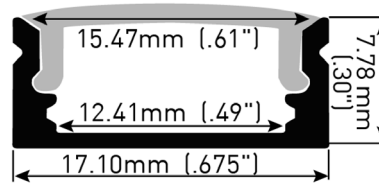
Mounting Clip
LUM-P2617-CL



SURFACE MOUNT CHANNEL WITH DIFFUSER SERIES ALUMINUM EXTRUSION / 24V & 120V

PROFILE MEASUREMENTS

24V SINGLE COLOR & RGB IP20 SERIES



4ft. Aluminum Extrusion
Surface Mount Channel
with Diffuser
LUM-P1707D-U4



Clear Mounting Clip
LUM-P1707D-CL



8ft. Aluminum Extrusion
Surface Mount Channel
with Diffuser
LUM-P1707D-U8



Endcap with Hole
LUM-P1707D-ECH

Straight Connector
LUM-P1707D-SC



Endcap Solid
LUM-P1707D-ECN



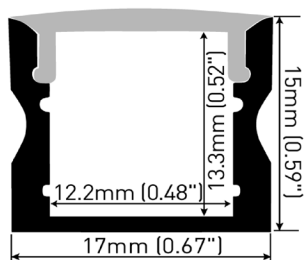
90° Angle Connector
LUM-P1707D-AC



SURFACE MOUNT CHANNEL WITH DIFFUSER SERIES ALUMINUM EXTRUSION / 24V & 120V

PROFILE MEASUREMENTS

24V SINGLE COLOR & RGB IP54 / IP20 SERIES



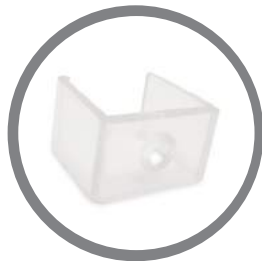
4ft. Aluminum Extrusion
Surface Mount High
Channel with Diffuser
LUM-P1715B-U4



8ft. Aluminum Extrusion
Surface Mount High
Channel with Diffuser
LUM-P1715B-U8



Endcap with Hole
LUM-P171B-ECH

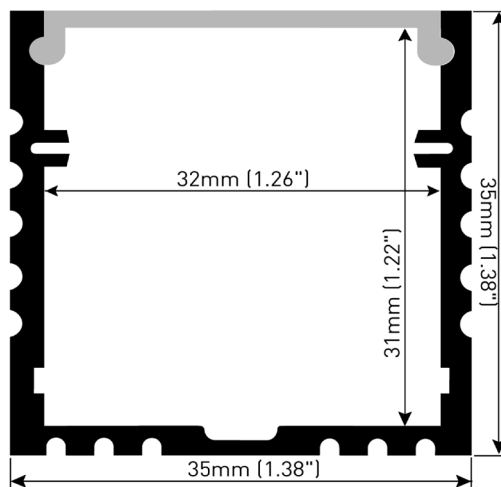


Endcap Solid
LUM-P1715B-ECN



Clear Mounting Clip
LUM-P1715B-CL

120V SINGLE COLOR, RGB B34XT & 24V IP20 SERIES (SIDE BY SIDE)



4ft. Mega Aluminum
Extrusion Surface Mount
Channel with Diffuser
LUM-P3535C-U4



8ft. Mega Aluminum
Extrusion Surface Mount
Channel with Diffuser
LUM-P3535C-U8



Endcap with Hole
LUM-P3535C-ECH



Endcap Solid
LUM-P3535C-ECN



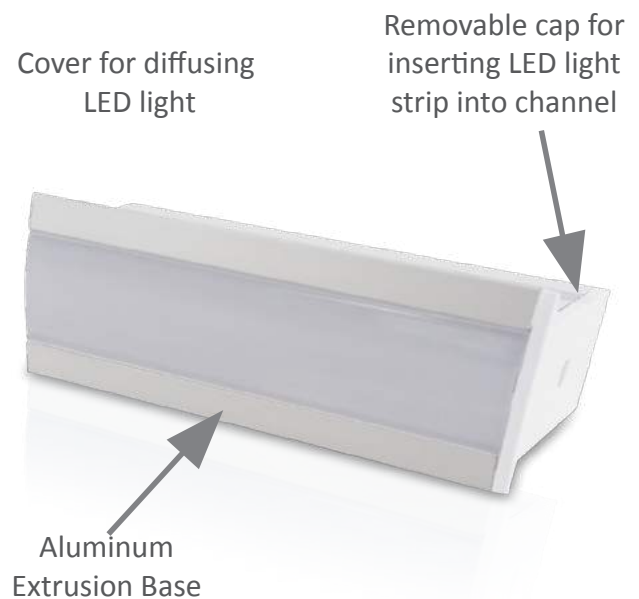
RECESSED CHANNEL WITH DIFFUSER SERIES ALUMINUM EXTRUSION / 24V & 120V

Lumilum® Aluminum Extrusion Recessed Channels have an aluminum casing that are available in different sizes and come with a frosted polished diffuser cover. Each extrusion channel is meant to house LED strip lights. Channel end caps are also available in two options: with a hole for wires or solid without a hole. These Aluminum Extrusion Recessed Channels have excellent corrosion resistance, moderate formability, and good weldability. Different connectors are also available for the most precise LED lighting jobs. The diffuser cover for the extrusion channels helps minimize the LED dot effect on reflective surfaces, making it the perfect go-to accessory for a uniform light effect. These channels have been designed to create a recessed and flushed look.



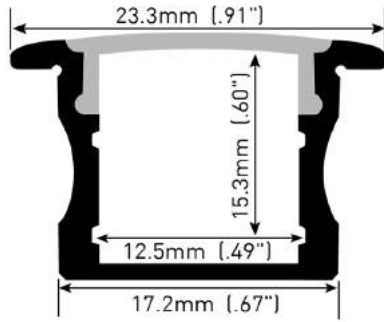
PRODUCT FEATURES

- Available in sizes: 4ft., 8ft.
- Can be used with 120V Single Color & RGB B34XT Series as well as with IP20 LED Strip Light (side by side installation)
- Aluminum Casing
- Corrosion Resistant
- Frosted diffuser covers are available and they fit perfectly into the aluminum channel
- Solid endcaps & endcaps with holes are available for passing wire the perfect accessory for capping off the LED strip end for a completed professional look
- Minimizes the LED Dot Effect
- Moderate formability, and good weldability
- Designed to look flushed when installed

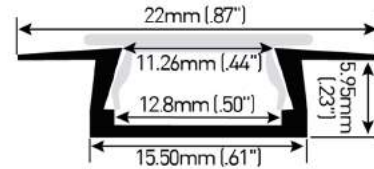


PROFILE MEASUREMENTS

24V SINGLE COLOR & RGB IP54 / IP20 SERIES



24V SINGLE COLOR & RGB IP20 SERIES



4ft. Aluminum Extrusion
Recessed Deep Channel
with Diffuser
LUM-P2115B-U4



8ft. Aluminum Extrusion
Recessed Deep Channel
with Diffuser
LUM-P2115B-U8



Endcap with Hole
LUM-P2115B-ECH



Endcap Solid
LUM-P2115B-ECN



Mounting Clip
LUM-P2115B-CL



4ft. Aluminum Extrusion
Recessed Channel
with Diffuser
LUM-P2206D-U4



8ft. Aluminum Extrusion
Recessed Channel
with Diffuser
LUM-P2206D-U8



Endcap with Hole
LUM-P2206D-ECH



Endcap Solid
LUM-P2206D-ECN



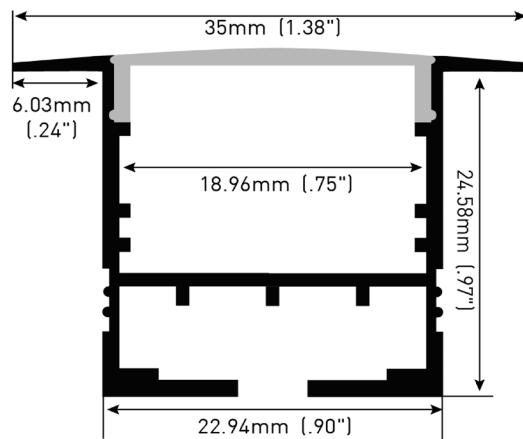
Mounting Clip
LUM-P2206D-CL



RECESSED CHANNEL WITH DIFFUSER SERIES ALUMINUM EXTRUSION / 24V & 120V

PROFILE MEASUREMENTS

120V SINGLE COLOR, RGB B34XT
& 24V IP20 SERIES (SIDE BY SIDE)



4ft. Aluminum Extrusion
Recessed Channel
with Diffuser
LUM-T3525-U4



Endcap Solid
LUM-T3525-ECN



Endcap with Hole
LUM-T3525-ECH



Spring Clip
LUM-T3525-CL



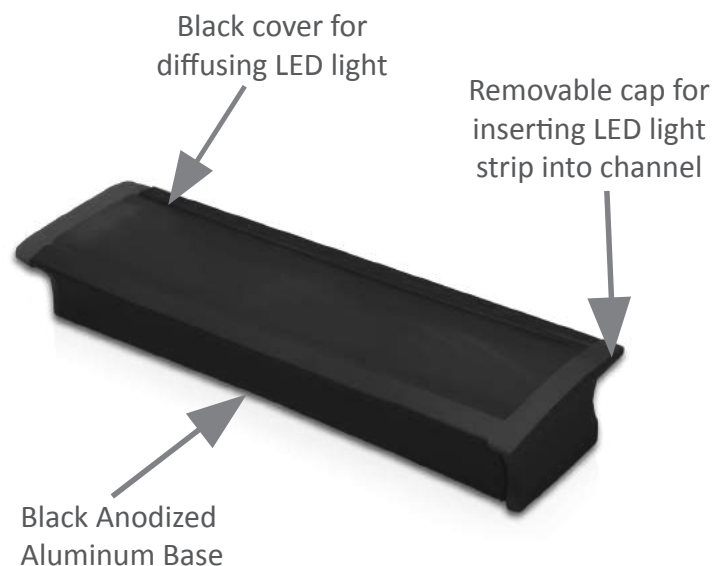
BLACK ANODIZED ALUMINUM CHANNEL SERIES SURFACE MOUNT / RECESSED (WITH DIFFUSER) / 24V & 120V

Lumilum® Black Anodized Aluminum Channels have an aluminum casing, come with a black frosted polished diffuser cover, and are available in multiple sizes. Intended to house LED strip lights, the black finish on these channels have been put through the anodizing electrochemical process that converts the metal surface into a decorative, durable, corrosion-resistant, anodic oxide finish. The black color is not applied to the surface like paint or plating, but is instead fully integrated with the underlying aluminum substrate, making it resistant to chipping or wear. These channels have excellent corrosion resistance, moderate formability, good weldability and come in both surface mount and recessed fit options to ensure a fit for all needs. Accessories such as channel end caps are also available in two options: with a hole for wires or solid without a hole. Different connectors are also available for precise LED lighting jobs that require more versatile connection options. The black diffuser cover helps minimize the LED dot effect on reflective surfaces, making it the perfect go-to accessory for an even, crisp light effect. These channels have been specially designed for architectural and contemporary design use to create a uniform look within a dark background setting, thus making the LED strips look unnoticeable while off.



PRODUCT FEATURES

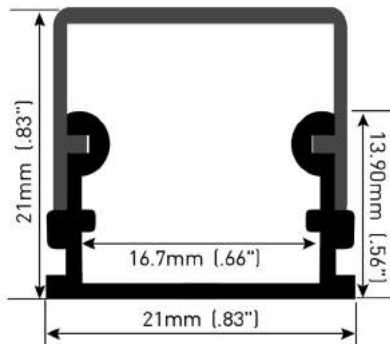
- Available sizes: 4ft. and 8ft.
- Black anodized aluminum casing
- Durable & corrosion resistant
- Black frosted diffuser covers are included and fit perfectly into the channel
- Black solid end caps & end caps with holes are available for passing wire the perfect accessory for capping off the LED strip end for a completed professional look
- Minimizes the LED Dot Effect
- Moderate formability and good weldability
- Black casing and matching accessories conceal the channel on a dark background when LED strip light is turned off
- Available in surface mount (with diffuser) & recessed (with diffuser) options



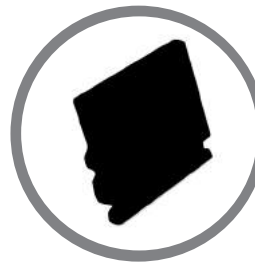


BLACK ANODIZED ALUMINUM CHANNEL SERIES SURFACE MOUNT / RECESSED (WITH DIFFUSER) / 24V & 120V

PROFILE MEASUREMENTS 120V SINGLE COLOR SERIES



4ft. Black Anodized
Aluminum Extrusion Surface
Mount Channel with Diffuser
LUM-P2114-BLK-U4



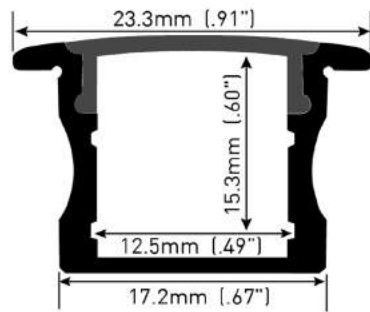
Endcap Solid
LUM-P2114-BLK-ECN



Endcap with Hole
LUM-P2114-BLK-ECH



Mounting Clip
LUM-P2114-CL

PROFILE MEASUREMENTS
**24V SINGLE COLOR & RGB
IP54 / IP20 SERIES**


4ft. Black Anodized
Aluminum Extrusion
Recessed Deep Channel
with Diffuser
LUM-P2115B-BLK-U4



8ft. Black Anodized
Aluminum Extrusion
Recessed Deep Channel
with Diffuser
LUM-P2115B-BLK-U8



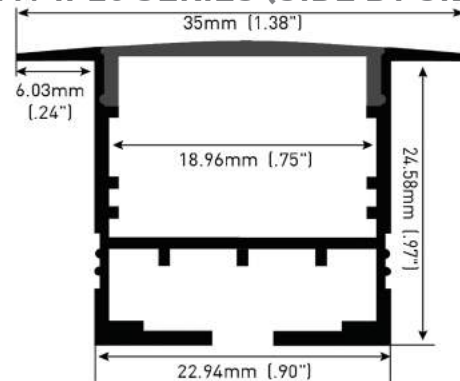
Endcap with Hole
LUM-P2115B-BLK-ECH



Endcap Solid
LUM-P2115B-BLK-ECN



Mounting Clip
LUM-P2115B-CL

**120V SINGLE COLOR, RGB B34XT
& 24V IP20 SERIES (SIDE BY SIDE)**


4ft. Black Anodized
Aluminum Extrusion
Recessed Channel
with Diffuser
LUM-T3525-BLK-U4



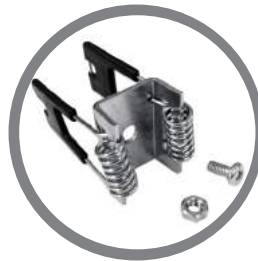
8ft. Black Anodized
Aluminum Extrusion
Recessed Channel
with Diffuser
LUM-T3525-BLK-U8



Endcap with Hole
LUM-T3525-BLK-ECH



Endcap Solid
LUM-T3525-BLK-ECN



Spring Clip
LUM-T3525-CL