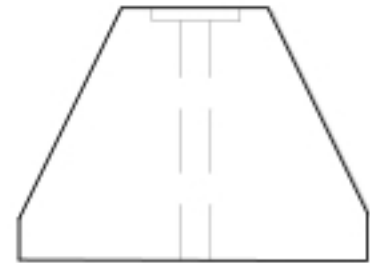
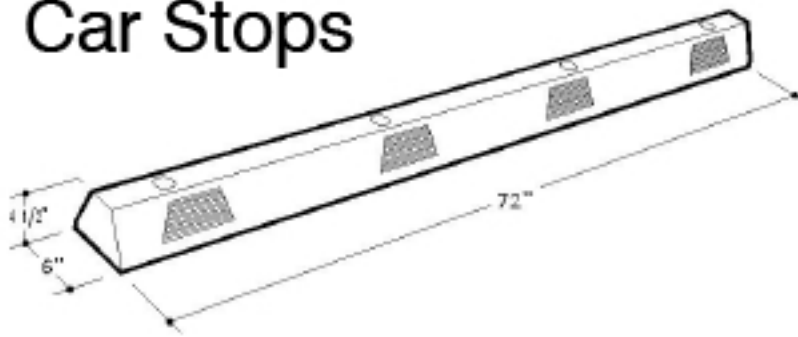
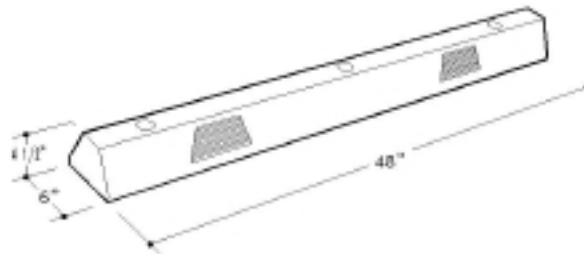


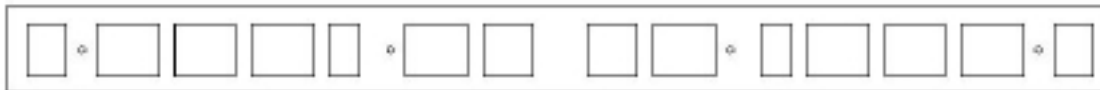
## Car Stops



End View



Front View—Trapezoidal stripes



Bottom View (voids to reduce weight)

Car Stops are made of 100% post-consumer recycled tire rubber from used car and truck tires. 3% MD400 polyurethane is used as a binder. The recessed trapezoidal stripes are cut from road marking tape. Available with no stripes, or with white or yellow stripes for high visibility.

These rubber car stops are light enough for easy installation by a single installer. Made in Eugene, Oregon USA, with raw material shipping less than 450 miles. Each 12 pounds of product you buy saves one passenger tire from a landfill.

Hardware installation holes are drilled with a 1/2" drill bit.

Hardware available: 14" x 1/2" rebar spike with 3/8" washer for asphalt or gravel installations. 6" x 1/2" lag screw, washer and short shield for concrete installations.

Use 10 ounce of epoxy or construction adhesive (i.e. Polyurethane PL Premium) for installations where no hardware is allowed (i.e. parking garages).