

Universal Tablet Connect Arm

The flexible, repositionable tablet clamp arm.

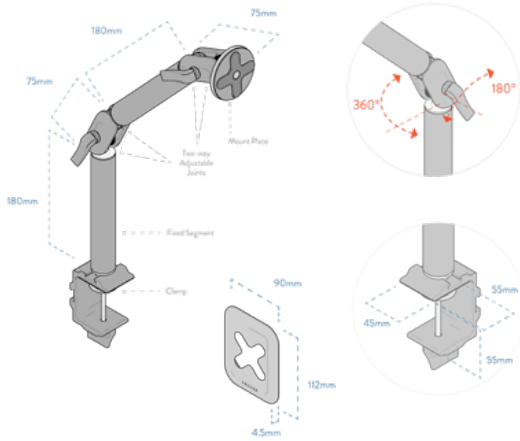
The Universal Tablet Arm is a versatile, fully adjustable arm; designed to securely mount and display your iPad or tablet device in a restaurant, kitchen, or any back-of-house environment.

Compatibility

- Proper Connect iPad Case kits
- Tablets with a flat area of 9cm x 11cm

Includes

- 1x Connect Arm
- 1x Universal Tablet Adapter
- Instructions



Designed with anodised aluminum, and strong, durable materials.



The Connect x keeps your tablet locked securely in place with a simple twist + click.



Fully adjustable pivot point, designed to position your device at the perfect angle.

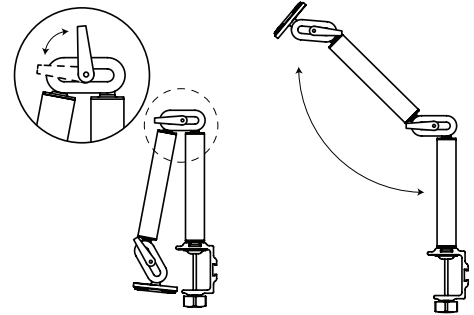


A complete 360° range of motion, allowing manoeuvrability any space.

Installation

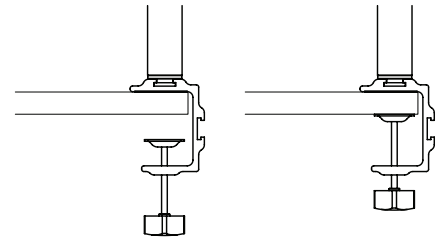
1 Unbox & extend the Connect Arm

Slowly loosen each of the handles to manoeuvre it into your desired position, then push the handles down to lock in place. (The joints offer a complete range of motion on all axis, so be careful to loosen each handle gently for subtle adjustments.)



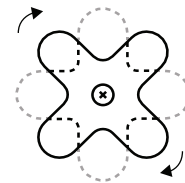
2 Clamp the arm to your table

Unscrew the clamp just enough to slide onto the edge of your table, then fasten it securely into place, and tighten firmly.



3 Mount your device onto the Arm

Mount your device by aligning the x on the head of the arm with the x on your device, then rotating into position.



4 Make any final adjustments

Slowly loosen the pivot points once again if you need to make any final adjustments, or change the angle of your device. (Remember to push the handles down to lock them into place, and ensure the table clamp is tightened firmly before use.)

