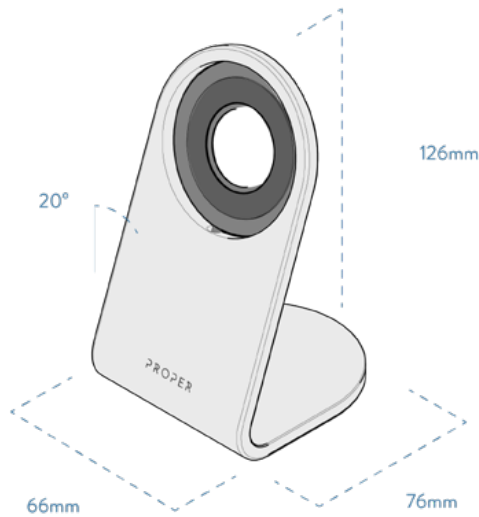


# MagSafe Stand



Designed to integrate the speed of MagSafe charging within a stand that enhances your experience whilst charging. Crafted from solid billet aluminium that is carefully machined and formed. MagSafe Stand is a sculptural object for your desk or bedside table.

### Compatibility

Apple Magsafe Charger  
Magsafe compatible iPhones and Cases

### Includes

Proper Magsafe Stand  
Instruction manual



Built with precision and machined from solid aluminium; designed to last.



Carefully considered cable management seamlessly embeds the charging cable.

## Installation

- 1 After removing the back cap from the stand, place it face down on a surface. Then route the Magsafe charger cable through the stand and fit it into the space in the stand.
- 2 Peel off the repositionable adhesive liner on the steel back cap, and magnetically fit it to the stand. This will adhere to the Magsafe charger, but is removable if needed.
- 3 Peel off the base repositionable adhesive liner and stick it to a surface! If the adhesive wears off over time, clean it with a cloth and water.

