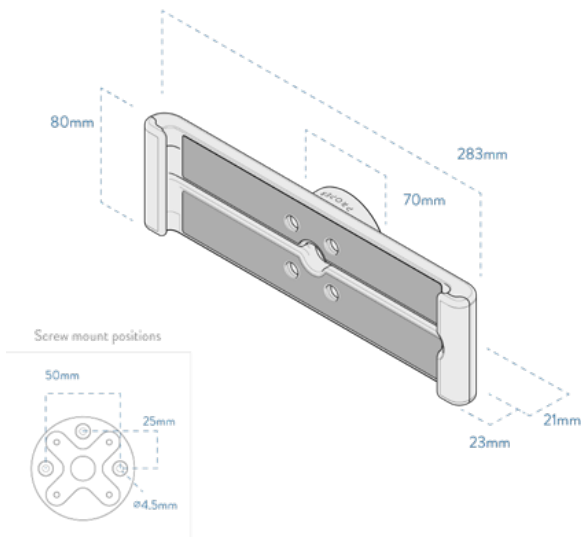


## Secure & Powered Wall Mount for iPad

Slim and sturdy – The iPad Wall Mount is designed for ease of access and complete convenience. Including an embedded MFi charging cable, for an always on, completely secure experience.



### Compatibility

iPad 10.2-inch Gen 7-9

### Includes

- 1 x Proper Powered iPad Wall Mount
- 1 x Proper 2m MFI Certified lightning to USB-A cable
- Installation Tools
- Instruction Booklet



Designed to last, built with solid aluminum and premium, durable materials.



Permanently fasten in either portrait or landscape to suit any application.



Powered at all times, with included MFI certified Lightning® cable concealed within the stand.



Super strong and securely locked into place for complete peace of mind.

## Installation

### Before You Begin

#### Power

This product includes a (2m) 8-Pin Lightning to USB cable. Before installation, ensure your device is within reach of a power source. If you are plugging your iPad directly into a wall outlet, it is recommended that you use the official Apple Power Adapter included with your iPad, or a genuine replacement from Apple.

#### Cable Management

Before installation, consider the route your cable will need to take to reach a power source. Try to keep the cable away from any potential hazards or spills. You have the choice of either i. running the power cable out of the rear of the stand, which will require no drilling, or, ii. tunneling the power cable through the table/countertop, which will require drilling.

#### Drilling

If you choose to tunnel the cable through your surface, you will need to make a 35mm hole for the cable to pass through. To maximise the available surface area for adhesion of the stand, try not to exceed 35mm. Consider if your surface is suitable for this, and if possible, use a licensed professional.

#### Loosening and Tightening Screws

Overtightening the screws may cause damage to the stand, or your device. If you feel as though something isn't fitting together correctly for any reason; first re-read the instructions to ensure you haven't missed anything, then contact our customer support team for further assistance.

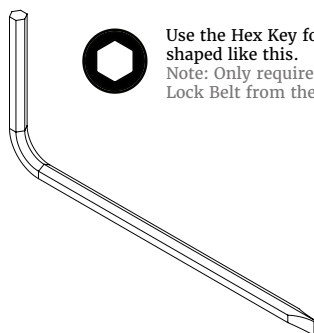
#### Adhesive

This stand adheres to surfaces using a permanent adhesive. Before installation, give your surface a quick clean, ensuring it is free from dust, oil, or any other residue that could keep the adhesive from mounting as securely as possible.

Once you adhere the product to your surface, press down firmly (holding the body of the stand, not the iPad or frame) for at least 30 seconds, and, if possible, allow 24 hours without use to let the adhesive fully bond to the surface.

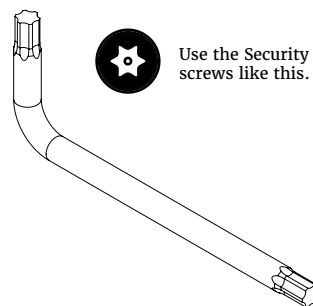
## The Toolkit

### Hex Key / Pick Tool



Use the Hex Key for hexagonal screws shaped like this.  
Note: Only required for removing the Lock Belt from the stand.

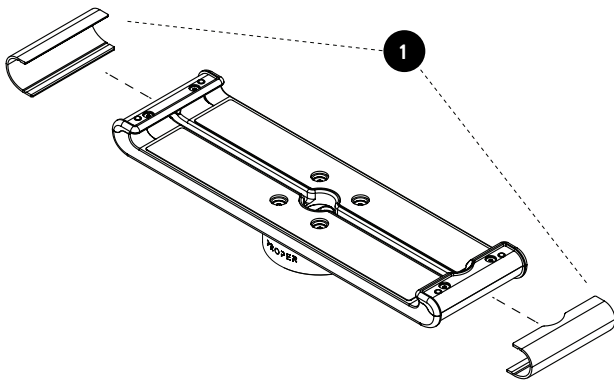
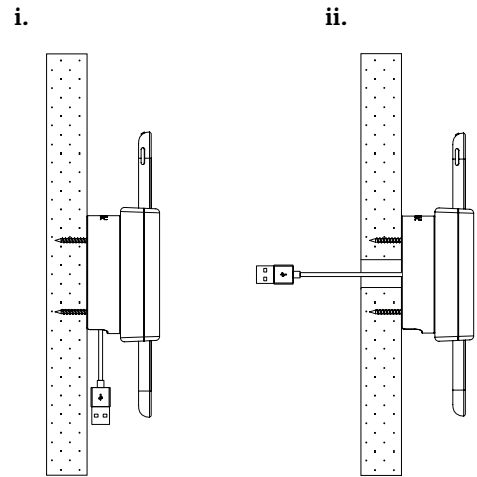
### Security Tool



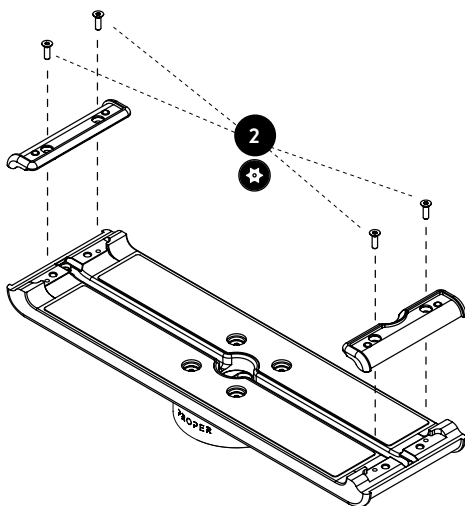
Use the Security Tool for star shaped screws like this.

**Mounting options**

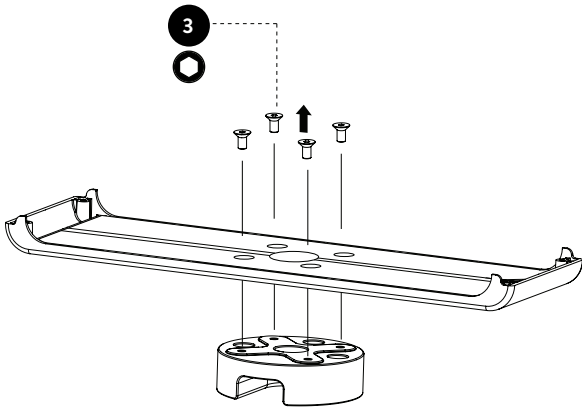
- i. Tail**  
Tailing your cable from the rear of the stand requires you to feed the cable through the stand before you secure it down.
  
- ii. Tunnel**  
Tunneling your cable through the table surface requires you to make a 35mm hole directly beneath the stand, through the table/countertop.



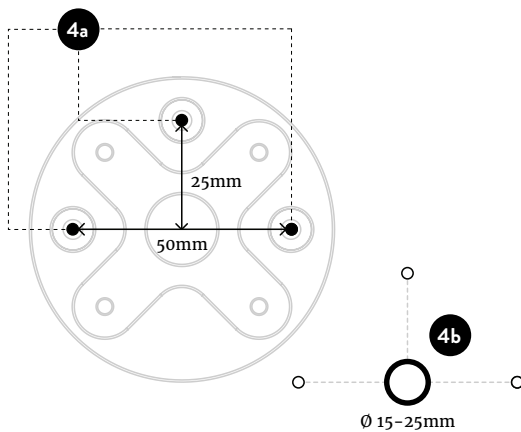
1. Pull the end covers from the Lock Belt.



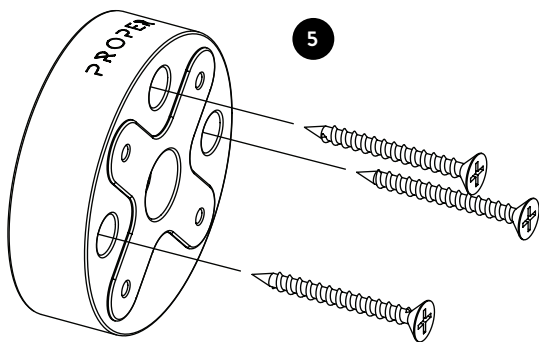
Unscrew the 4 screws using the tools provided, and remove the end caps.



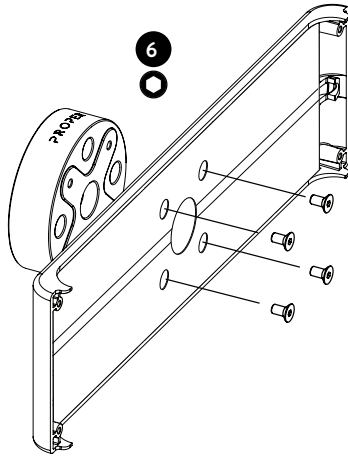
3. Using the Hex Key, remove the 4 screws holding the Lock Belt frame to the body of the Wall Mount.



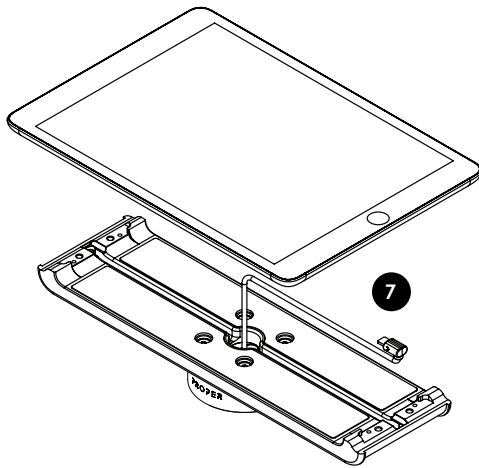
- 4a. On your wall, measure out and mark the points where you will be drilling.  
Note: We recommend using a spirit level for perfect alignment.
- 4b. If you intend to tunnel the charging cable through the wall, you must also make a 15-25mm hole in the centre of the mounting position.  
If not, you may skip this step.  
Note: Read carefully the Safety Notice at the beginning of this document.



5. Screw the Wall Mount into the wall.  
Note: As the Wall Mount can be mounted onto a variety of surfaces, we are unable to provide certain hardware (such as screws) to assist in mounting to every wall. You will need to source the appropriate tools for your particular use case. If you are in any way unsure, consider contacting a licensed professional.

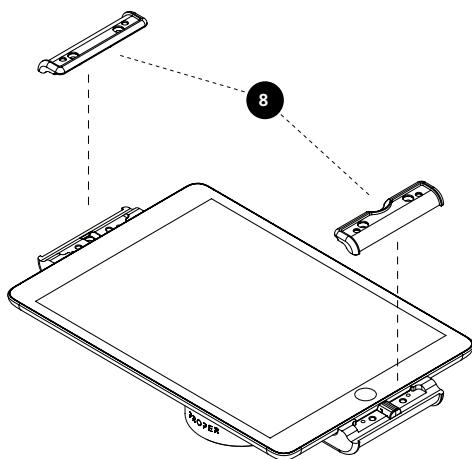


- Using the Hex Key, re-attach the 4 screws holding the Lock Belt to the body of the Wall Mount.



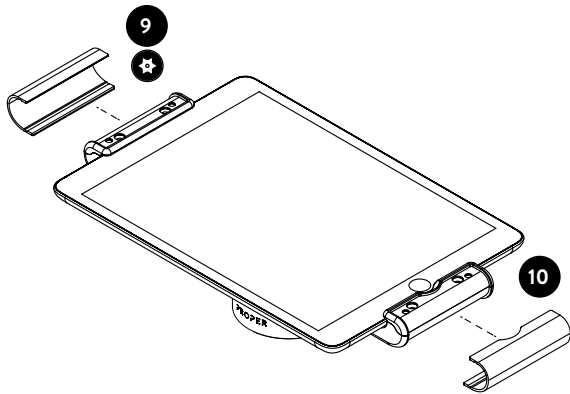
- Plug the provided lightning cable into the iPad, and feed the USB end through the Wall Mount.

Note: At this time ensure your cable routing is confirmed between 'Tail' and 'Tunnel'. (See Page 5)



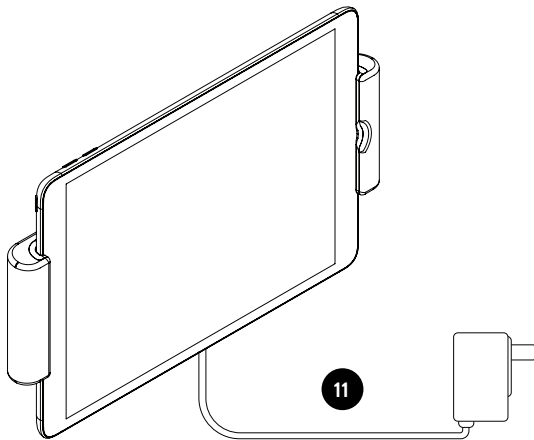
- Place the iPad into the Lock Belt and place the End Caps ensuring that all parts fit together with no gaps.

Note: Ensure that the lightning cable is nested inside the Lock Belt and the iPad is flat.



9. You have the option of re-installing the screws into the End Caps for added security, otherwise the End Covers act as a lock to keep the iPad nested within the Lock Belt.

10. Reinstall the End Covers by pushing into position.



11. Finally, ensure the charging cable is neatly managed, away from liquids or open flames, and does not pose a tripping hazard.

### Warranty

All of our products include a 12 month warranty. This warranty covers product faults that are not the result of excessive force or accidental damage.

### Returns Policy

If for any reason you have changed your mind about your purchase, or the item you received is faulty, damaged, or otherwise not as described on our website, we offer a full refund (excluding shipping costs) for up to 30 days from the original purchase date.

To view our full returns policy, visit:  
> [studioproper.com/help](http://studioproper.com/help)