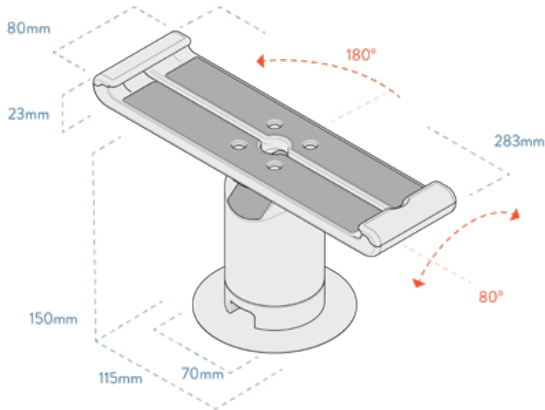


Secure & Powered Stand for iPad

Versatile and ergonomic — The iPad Swivel Stand is designed to seamlessly and securely mount and display your iPad®. Combining 180° of swivel rotation for convenient customer interaction, and an ergonomically friendly 80° degrees of angle adjustment; the Swivel Stand optimises the user experience of your iPad, and looks beautiful in every environment.



Compatibility

iPad 10.2-inch Gen 7-9

Includes

- 1 x Proper Powered iPad Swivel Stand
- 1 x Proper 2m MFI Certified lightning to USB-A cable
- Installation Tools
- Instruction Booklet



Designed to last, built with solid aluminum and premium, durable materials.



Permanently fasten in either portrait or landscape to suit any application.



Powered at all times, with included MFI certified Lightning® cable concealed within the stand.



Super strong and securely locked into place for complete peace of mind.



180° of swivel rotation, allowing customer interaction and sign-on-screen transactions.

Installation

Before You Begin

Power

This product includes a (2m) 8-Pin Lightning to USB cable. Before installation, ensure your device is within reach of a power source. If you are plugging your iPad directly into a wall outlet, it is recommended that you use the official Apple Power Adapter included with your iPad, or a genuine replacement from Apple.

Cable Management

Before installation, consider the route your cable will need to take to reach a power source. Try to keep the cable away from any potential hazards or spills. You have the choice of either i. running the power cable out of the rear of the stand, which will require no drilling, or, ii. tunneling the power cable through the table/countertop, which will require drilling.

Drilling

If you choose to tunnel the cable through your surface, you will need to make a 35mm hole for the cable to pass through. To maximise the available surface area for adhesion of the stand, try not to exceed 35mm. Consider if your surface is suitable for this, and if possible, use a licensed professional.

Loosening and Tightening Screws

Overtightening the screws may cause damage to the stand, or your device. If you feel as though something isn't fitting together correctly for any reason; first re-read the instructions to ensure you haven't missed anything, then contact our customer support team for further assistance.

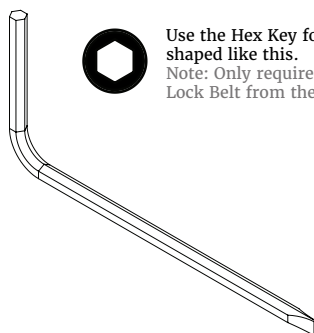
Adhesive

This stand adheres to surfaces using a permanent adhesive. Before installation, give your surface a quick clean, ensuring it is free from dust, oil, or any other residue that could keep the adhesive from mounting as securely as possible.

Once you adhere the product to your surface, press down firmly (holding the body of the stand, not the iPad or frame) for at least 30 seconds, and, if possible, allow 24 hours without use to let the adhesive fully bond to the surface.

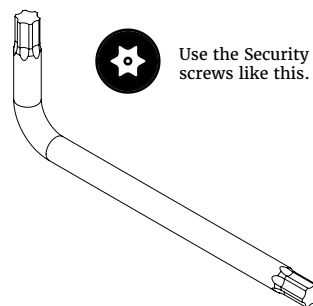
The Toolkit

Hex Key / Pick Tool



Use the Hex Key for hexagonal screws shaped like this.
Note: Only required for removing the Lock Belt from the stand.

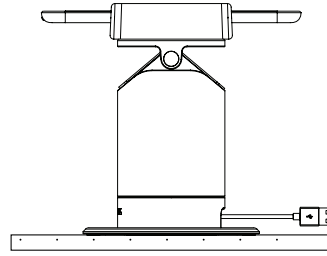
Security Tool



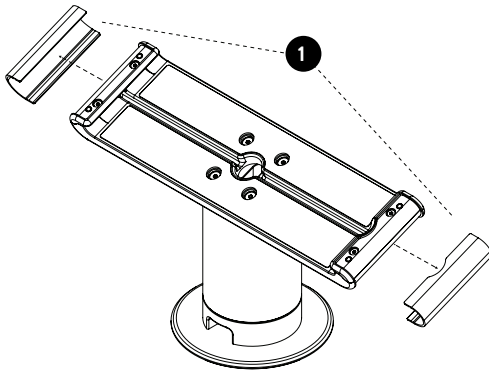
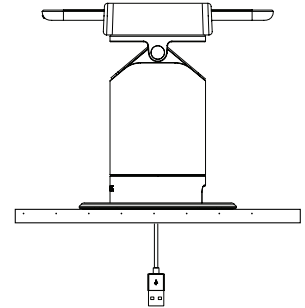
Use the Security Tool for star shaped screws like this.

Mounting options

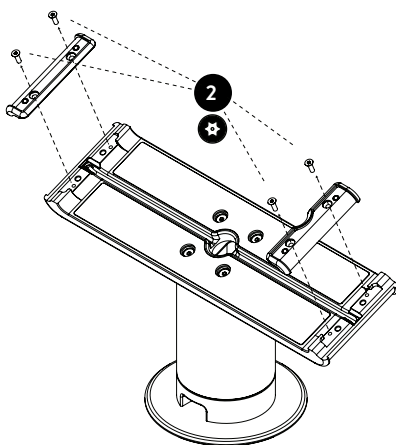
i. Tail
 Tailing your cable from the rear of the stand requires you to feed the cable through the stand before you secure it down.



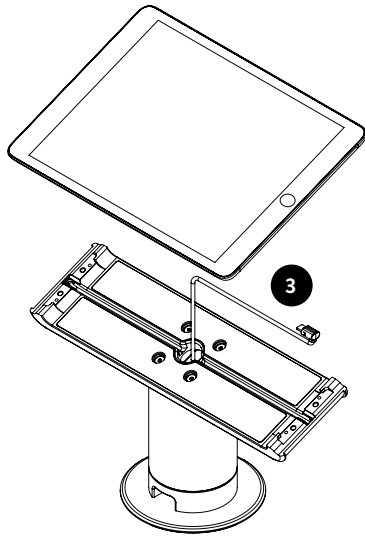
ii. Tunnel
 Tunneling your cable through the table surface requires you to make a 35mm hole directly beneath the stand, through the table/countertop.



1. Pull the end covers from the Lock Belt.

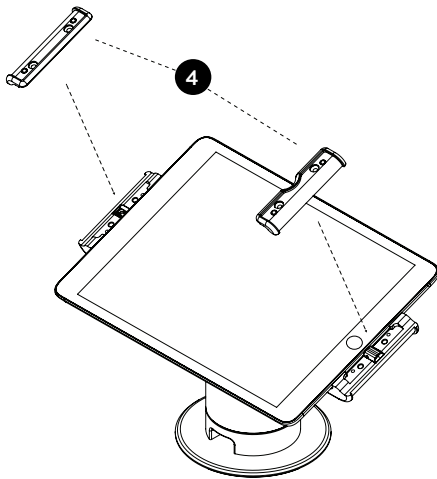


Unscrew the 4 screws using the tools provided, and remove the end caps.



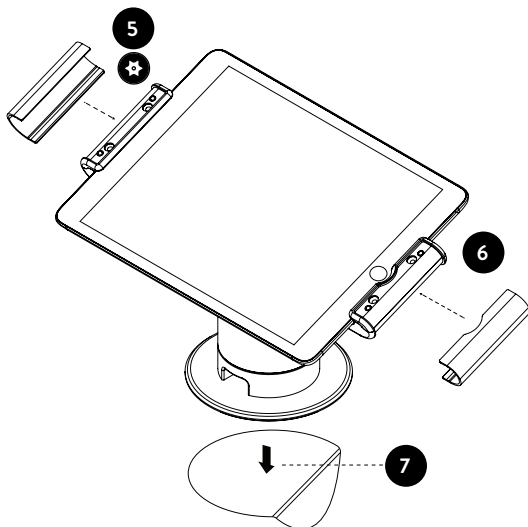
3. Plug the provided lightning cable into the iPad, and feed the USB end through the center of the stand.

Note: At this time ensure your cable routing is confirmed between 'Tail' and 'Tunnel'. (See Page 5)

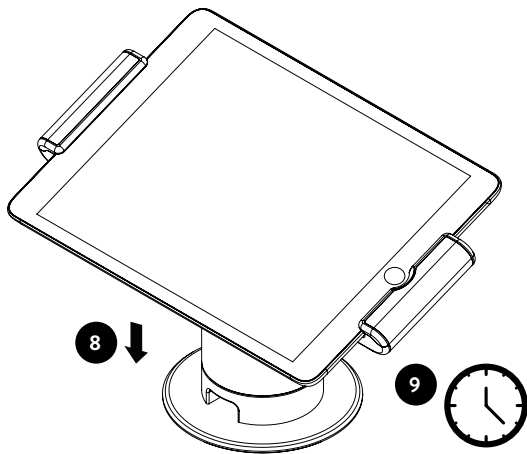


4. Place the iPad into the Lock Belt and place the End Caps ensuring that all parts fit together with no gaps.

Note: Ensure that the lightning cable is nested inside the Lock Belt and the iPad is flat.



5. You have the option of re-installing the screws into the End Caps for added security, otherwise the End Covers act as a lock to hold the stand together.
6. Reinstall the End Covers by pushing into position.
7. Peel the backing off the adhesive base.
Note: If you have chosen to tunnel the charging cable beneath the stand, you will first need to make a 35mm hole.
See Mounting Options on Page 5.



8. Press down firmly on the base to adhere the stand in place.
9. If possible, leave the stand overnight, allowing the adhesive time to bond to the surface properly before use.

Warranty

All of our products include a 12 month warranty. This warranty covers product faults that are not the result of excessive force or accidental damage.

Returns Policy

If for any reason you have changed your mind about your purchase, or the item you received is faulty, damaged, or otherwise not as described on our website, we offer a full refund (excluding shipping costs) for up to 30 days from the original purchase date.

To view our full returns policy, visit:
> studioproper.com/help