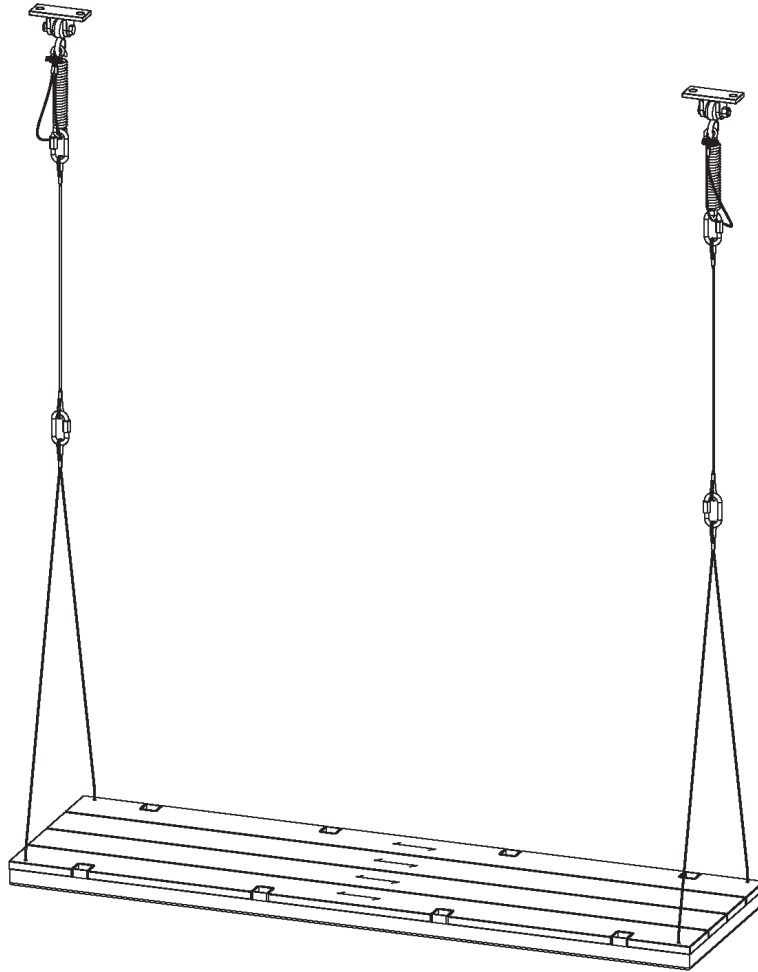


ORGANIC **Swings**



USER GUIDE

THE SWING

Whats in the Box?

The Swing - The main hanging cables come attached to the swing and cannot be removed.

Seat Backs - With modular, movable seat-backs, the swing can quickly and easily change to match the natural ebb and flow of your life at home.

Hanging Hardware - The swing arrives fully assembled and is ready to hang in most common swing applications. The included hardware kit allows for the swing installation from heights 5ft to 10ft and can work on porches, ceilings, swings stands, and more. We recommend consulting with a contractor if you are not comfortable safely installing a load bearing swing. See Page 3 for a diagram of the hardware included in the box.

Tips:

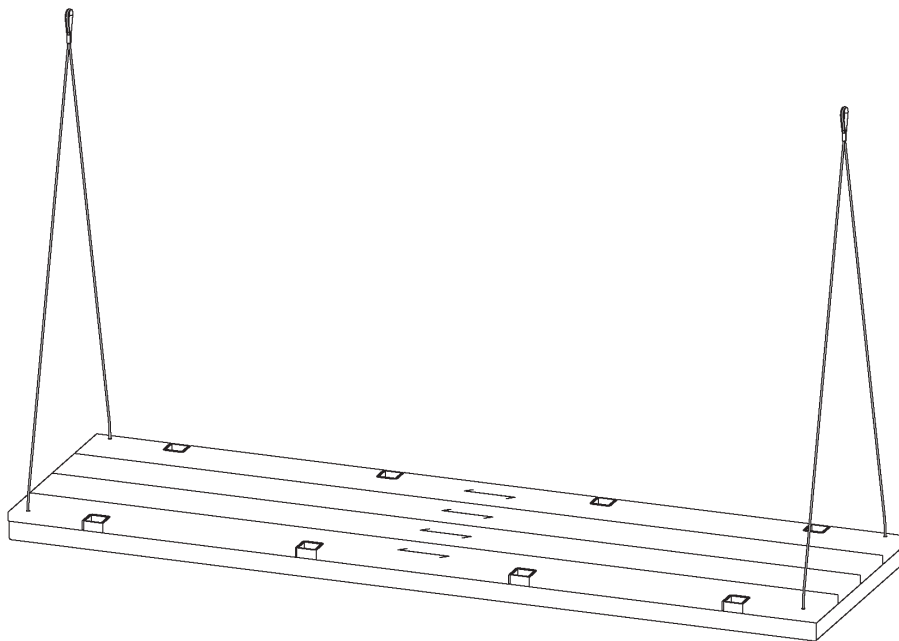
Install - We recommend professional installation unless you are confident you are able to securely mount a swing. The hangers, cables, chain extensions and various connectors included with the swing kit allow for installation in most common swing applications, including porches, ceilings, swing stands, and more.

Seat Height - The recommended seat-height (floor to top of seat) is between 18-22"

Spacing - We recommend 3 feet clearance in front and in the back of your swing. A minimum spacing of 14 inches is needed at both sides of your porch swing for a safe user experience.

Maintenance - We recommend periodically applying a penetrating oil finish with UV protection to the wood, as wood will naturally fade and dry when exposed to the sun. For best performance, scuff the wood with 220 grit sandpaper before applying the new finish.

Weight Limit - Our swings are designed to safely support a working load limit of 800 lbs.



THE HARDWARE

Your Organic Swing comes ready to hang out of the box, with a diverse kit of hardware allowing for installation in most common swing applications, including porches, ceilings, swing stands, and more.

Each Hardware Kit contains the below items.



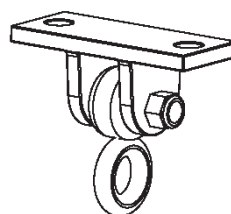
EXTENSION CABLE x2



EXTENSION CHAIN x2



COMFORT SPRING x2



HANGER + LAG BOLTS x2



QUICK CONNECTOR - HANGER x2



QUICK CONNECTOR - SWING x2



SPRING SAFETY CABLE x2

THE HARDWARE

HANGER

The heavy duty Swing Hangers should be mounted to the reinforced ceiling rafters, beam or truss.

COMFORT SPRING

While there are configurations that do not include the Comfort Spring, we recommend including the Spring whenever possible for optimal comfort in swinging.

QUICK CONNECT - HANGER

Used to connect the Swing Hanger to the Extension Chain, Extension Cable or between the Comfort Spring and Extension Chain or Cable.

QUICK CONNECT - SWING

Slightly smaller than the Quick Connect - Hanger, this connector is used to connect the Main Swing Assembly to the Extension Chain or Extension Cable.

EXTENSION CABLE

Include the Extension Cable to add 24" of length to your swing height.

EXTENSION CHAIN

Extends the length of the Swing height by 2" to 24"

Excess chain links can be cut with bolt cutters or a grinder and cut-off wheel.

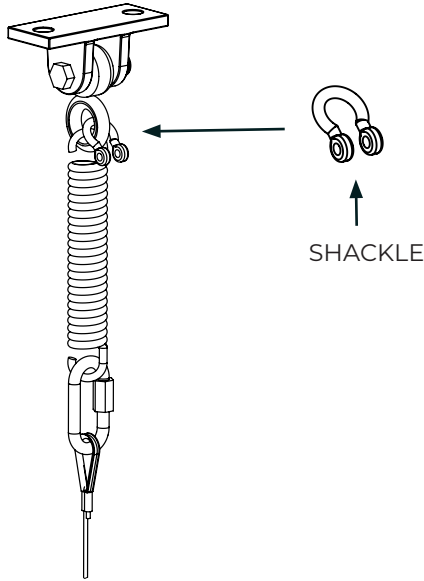
SPRING SAFETY CABLE

When using the Comfort Spring, the Spring Safety Cable MUST be installed. We assume no responsibility for any loss arising out of failure to follow instructions.

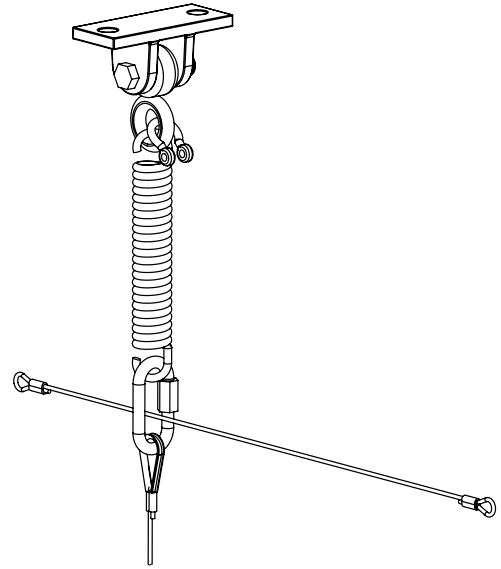
SAFETY CABLE

Installation

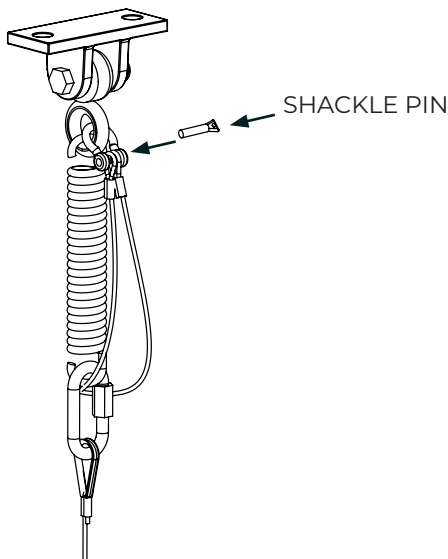
When using the Comfort Spring, the Spring Safety Cable MUST be installed.
We assume no responsibility for any loss arising out of failure to follow instructions.



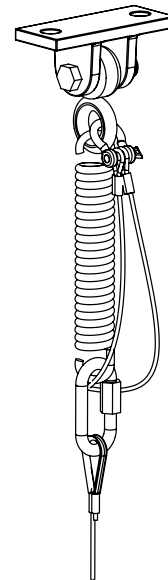
STEP 1 - Hook the Shackle around the swing Hanger as shown in the diagram above.



STEP 2 - Depending on your chosen configuration, pass the Safety Cable through the Quick Connect or Swing Cable Thimble.



STEP 3 - There are 2 Shackle Pin receiver holes in the Shackle. Align the loop ends of the Safety Cable with the 2 pin receiver holes on the Shackle. Pass the Shackle Pin through the large receiver hole.



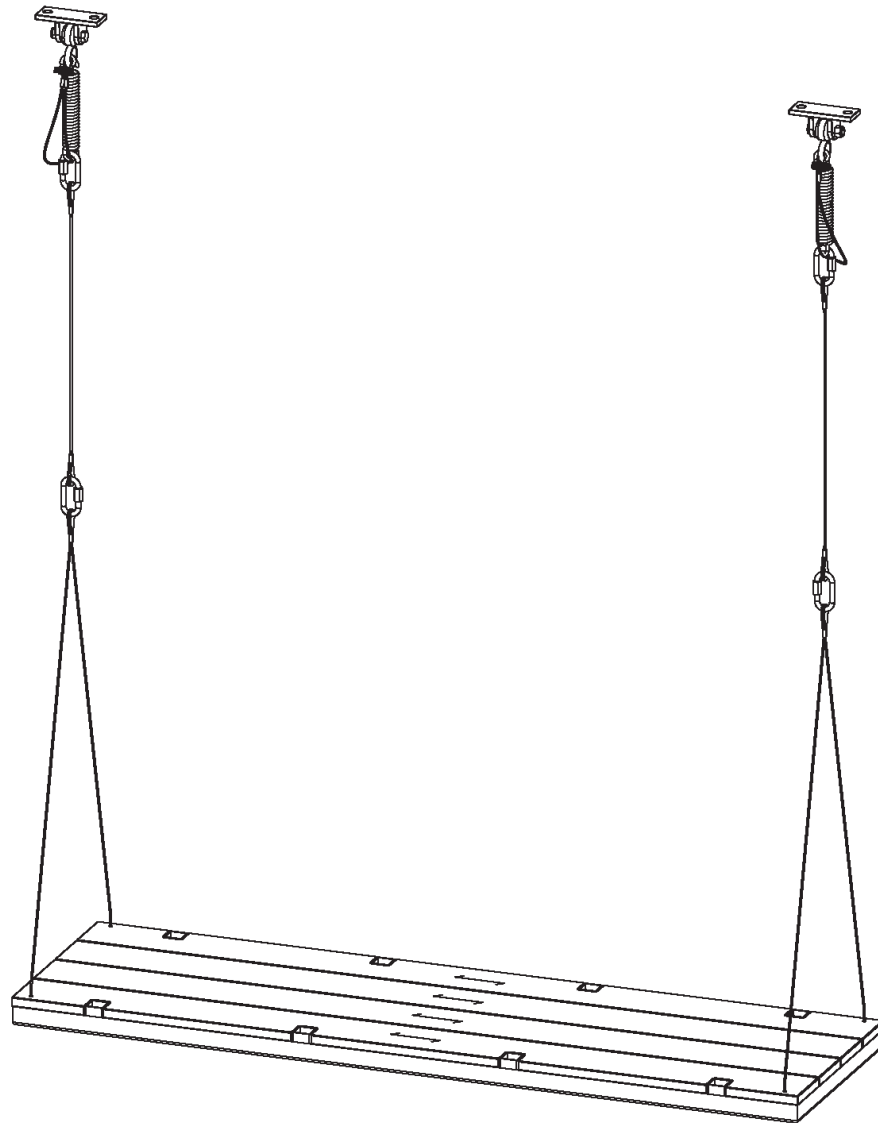
STEP 4 - Tighten the Shackle pin by turning the shackle pin clockwise until the pin cannot turn any more. The safety cable is now installed.

CONFIGURATION 1

~ 8' HANGING HEIGHT

Swing + Quick Connect + Extension Cable + Quick Connect + Spring (and Safety Cable) + Hanger

The standard configuration for hanging the swing from ~8' ceilings.



CONFIGURATION 2

~8'-10' HANGING HEIGHT

Swing + Quick Connect + Extension Cable + Extension Chain + Spring (and Safety Cable) + Hanger

This configuration allows for adjustment from ~123" down to 100" hanging height, using the chains different chain-link configurations.

Excess chain links can be cut with bolt cutters or a grinder and cut-off wheel.



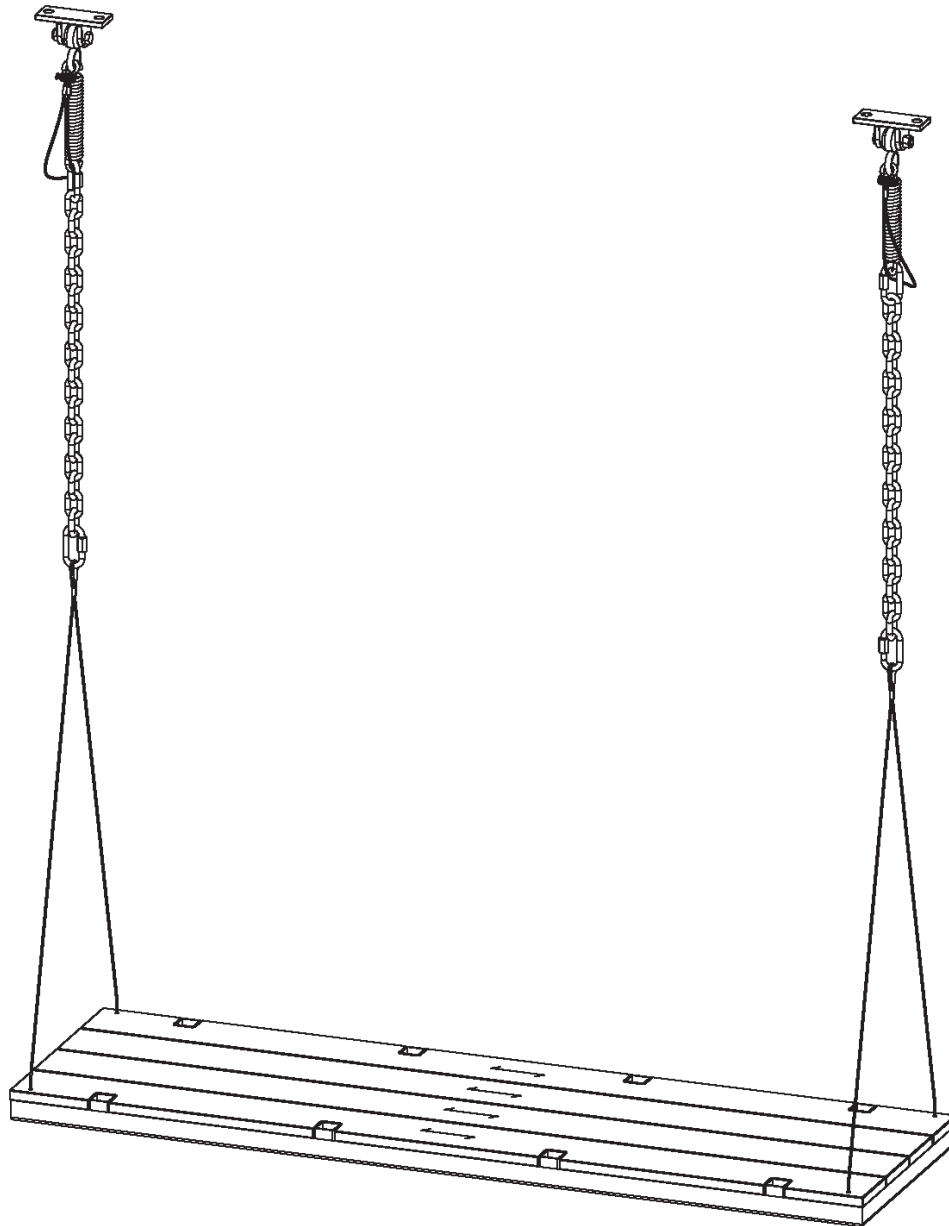
CONFIGURATION 3

~ 8' AND UNDER HANGING HEIGHT

Swing Assembly + Quick Connect + Extension Chain + Spring (and Safety Cable) + Hanger

Adjusts from ~71" to 100" using the chains different chain-link configurations.

Excess chain links can be cut with bolt cutters or a grinder and cut-off wheel.

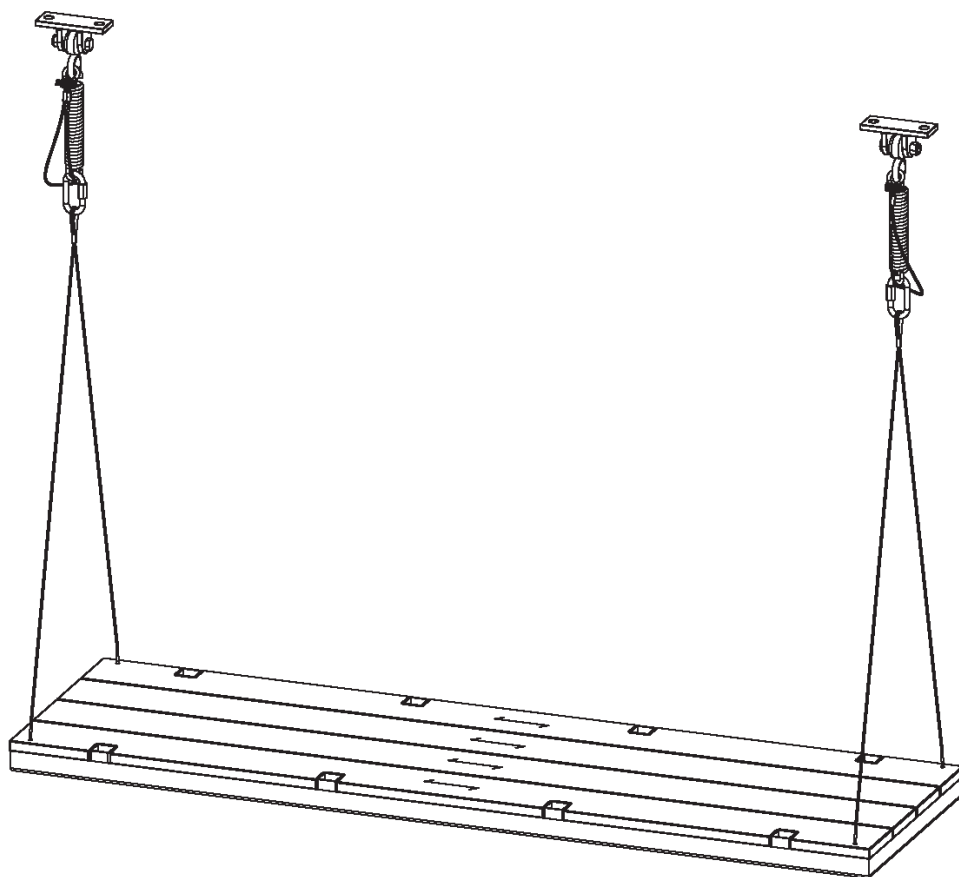


CONFIGURATION 4

~ 71"-74" HANGING HEIGHT

Swing Assembly + Quick Connect + Spring (and Safety Cable) + Hanger

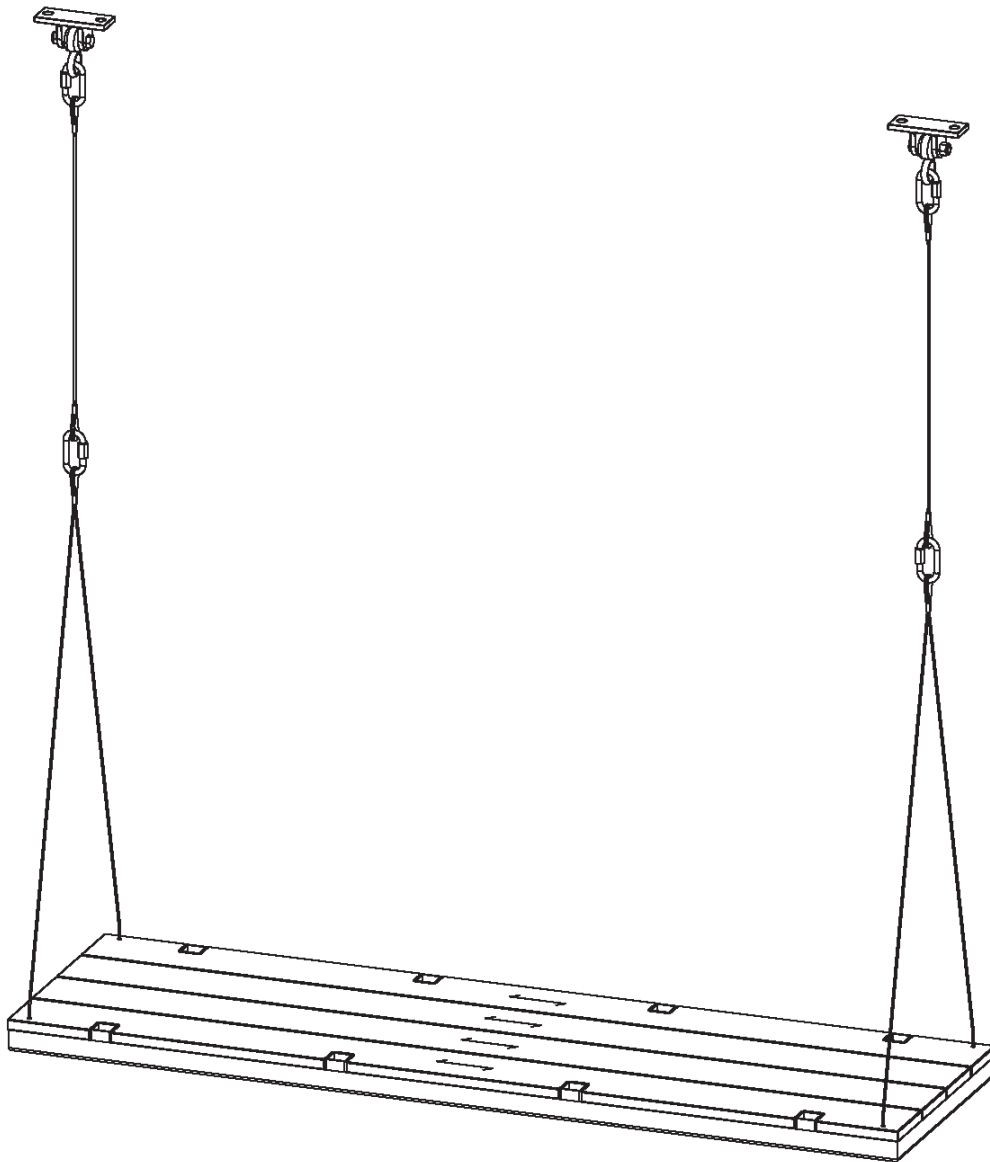
Allows hanging from a height of ~74"



CONFIGURATION 5

~100" Hanging Height

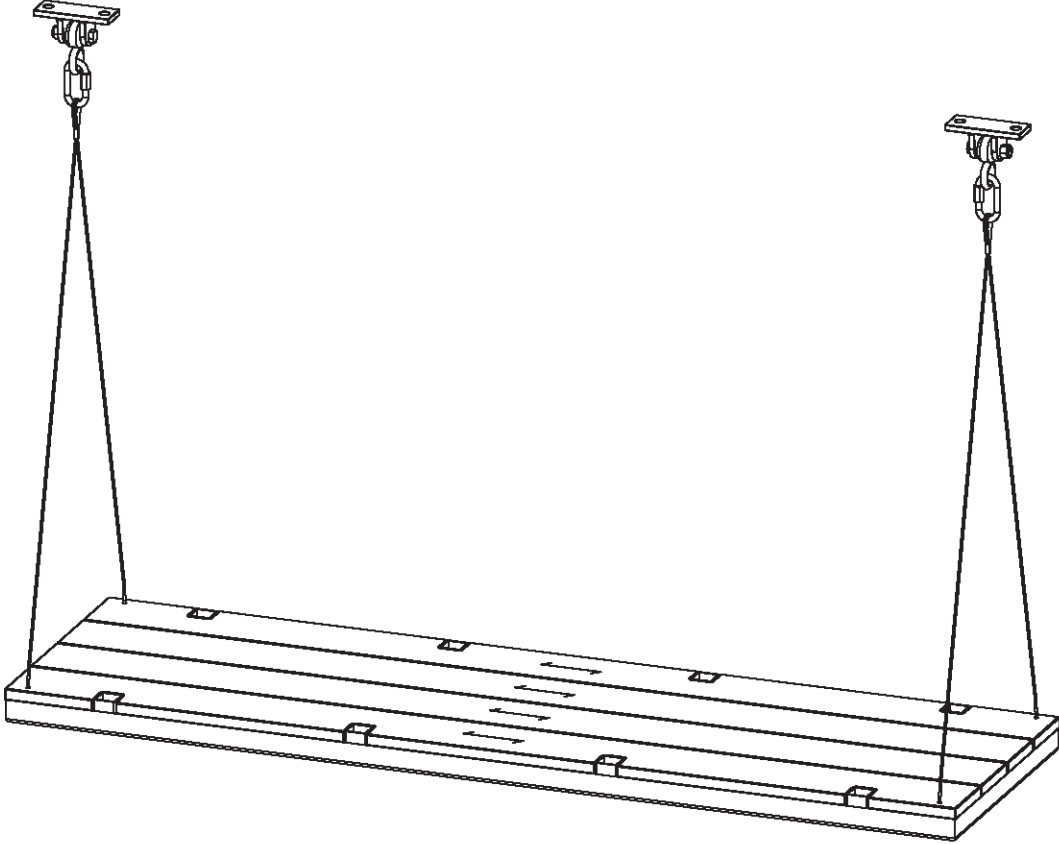
Swing + Quick Connect + Extension Cable + Quick Connect + Hanger



CONFIGURATION 6

66" Hanging Height

Swing + Quick Connect + Hanger



CONFIGURATION 7

~66" - 92" Hanging Height

Swing + Quick Connect + Extension Chain + Quick Connect + Hanger

Adjusts from ~66" to 92" using the chains different chain-link configurations.

Excess chain links can be cut with bolt cutters or a grinder and cut-off wheel.

