

PORTABLE PA AMPLIFIER SYSTEM

PROMIC PA-40W

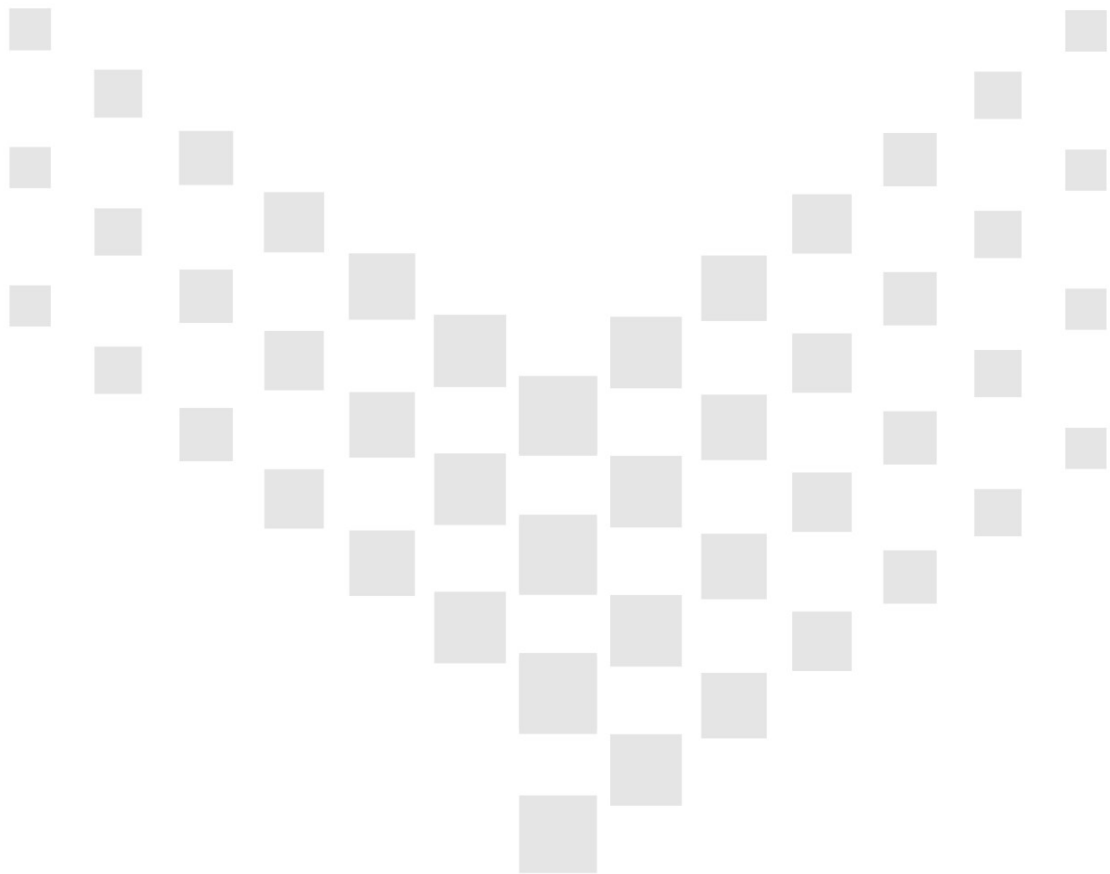


Table of Contents

1. Main Features and Quick Start Guide	1
2. Introduction and Product Specifications	2
3. Important Safety Information	3
4. Parts Description and Operation Guide	4~8
5. Wireless Microphone Operation Guide	9~12
6. Useful Tips on Using Your PA System	13
7. Warranty Information	14~15

1. Main Features

The **Promic** range of Portable Public Address systems are the ultimate on-the-go take anywhere wireless solution.

- Fully self-contained all-in-one portable audio system.
- 40W max power output (20W RMS) through high performance AB amplification.
- Full range 5" woofer speaker.
- Sturdy injection moulded ABS impact resistant plastic body - extremely durable.
- Operate using mains power or built-in 11.1V 2.2Ah lithium rechargeable battery.
- Up to 5 hours continual use on a full battery charge.
- Wireless handheld microphone and receiver included.
- Wireless body pack transmitter with headset microphone available as an option.
- Wireless microphone operates in nationally available 520-526 MHz range.
- Orange frequency cap operates on 520 MHz and green frequency cap operates on 522 MHz.
- 6.35mm microphone input for optional corded microphone.
- Built-in Media player with USB and Secure Digital (SD) card playback. (USB for flash drives up to 16GB and SD cards up to 8GB)
- Remote control for media player.
- Aux 3.5mm input for external audio device.
(1 x 1.2m 3.5mm to 3.5mm cable for iPod / iPhone / MP3 supplied)
- Separate microphone, media player and Aux volume controls.
- Carry handle and shoulder strap for easy transportation.
- Rotary tone and echo reverb controls.

1.1. Quick Start Guide

- 1.1.1. Fully charge the unit for 5 hours before first use.
- 1.1.2. Insert the AA batteries into the handheld wireless microphone and turn on the microphone.
Adjust the level of the microphone on the control panel and also the master volume.
- 1.1.3. To play music or other audio either insert a USB flash driver or SD card with stored MP3 files. Or connect to any Aux device such as iPod or laptop using the supplied 3.5mm to 3.5mm cable.
- 1.1.4 Charge the system after each use for optimal performance.

WARNING:

Do not connect any external device to USB slot other than USB flash memory drives. This slot is not designed to charge or connect phones or any other USB device. The voltage may damage the device.

2. Introduction and Product Specifications

2.1. Introduction

Thank you for choosing the PROMIC PA-40W Portable PA amplifier system. In order to get the best performance, please read this manual carefully before use. Please recharge this unit every month to achieve the best battery performance.






2.2. Product Specifications

PROMIC PA-40W		
Power Output		40W MAX 20W RMS
Frequency Response		60Hz-15KHz±3dB
Loudspeaker		5" Full Range
Audio Input	Wired Mic	1 x 6.35mm
	Aux-in	1 x 3.5mm
Power Supply	AC	Power Adaptor
	DC & Battery	11.1V 2.2Ah Rechargeable Lithium
Wireless Microphone		Handheld (Included) or Body Pack (Optional)
Frequency		UHF 520 MHz (Orange Cap) or UHF 522 MHz (Green Cap)
Charge Time		3~5 Hours
Working Time (Depending on Volume)		3~5 Hours
Battery Indicator		Single LED
Colour		Black
Dimensions (L x W x H)		283 x 177 x 157mm
Weight		1.65kg

IMPORTANT SAFETY INFORMATION

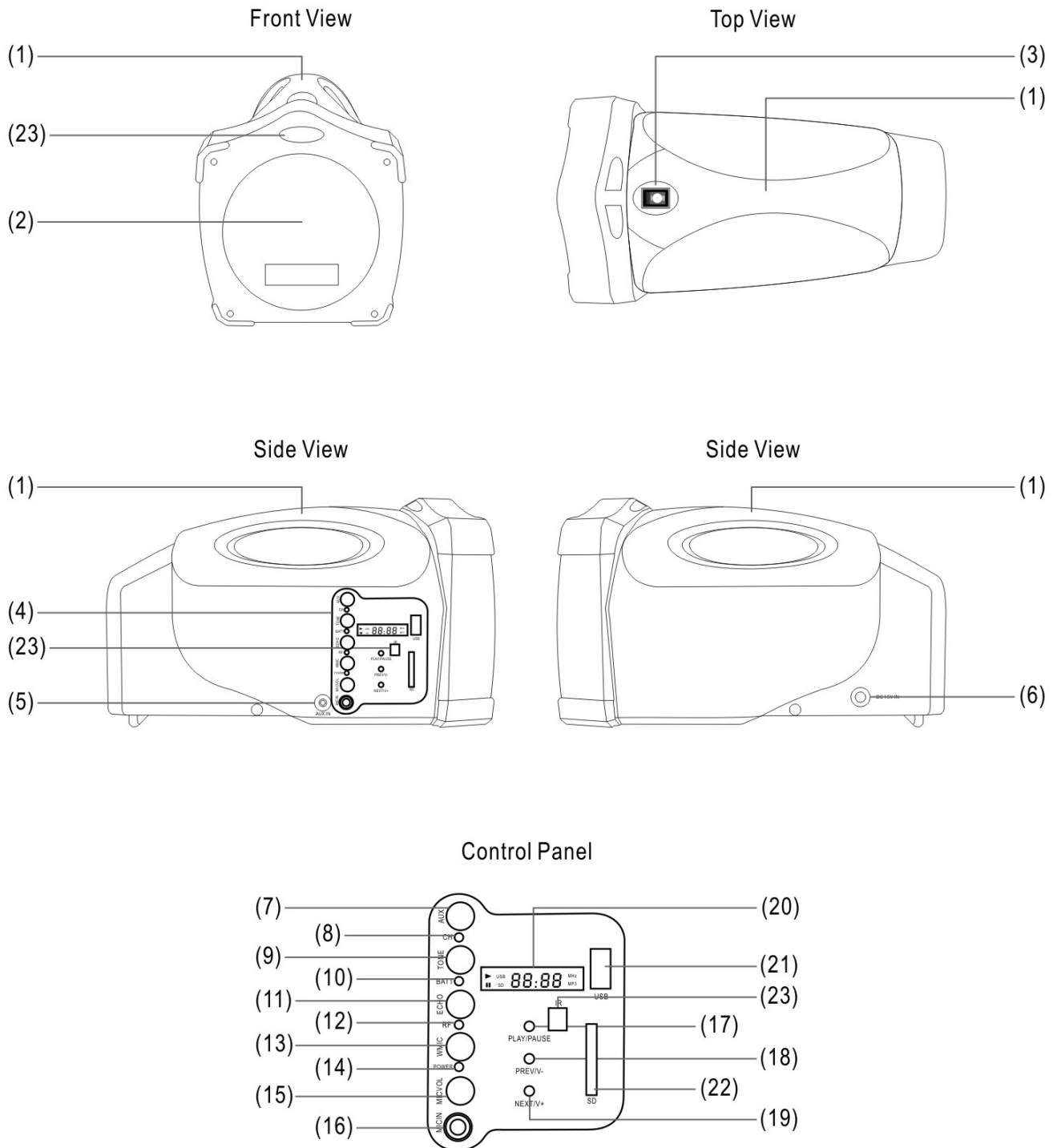
3. Important Safety Information

In the event of a technical failure, please contact the your local dealer. Unauthorised repairs will void the warranty. One receiver cannot receive a signal from two or more same frequency microphones simultaneously. Other brands of wireless microphones with different frequencies cannot be used with this system.

<p>Do not open this product by yourself for adjustment. To reduce the risk of fire or electric shock, do not remove the cover. High voltage parts are inside.</p>	 Do Not Disassemble
<p>To reduce the risk of electric shock, do not touch power outlet during an electrical storm. Do not touch power plug with wet hands. Do not put vessel with liquid or small metal parts on the top of this equipment. Do not let metal or flammable parts drop into this equipment.</p>	 Do Not Touch
<p>To reduce the risk of fire or electric shock from damaged power cord, do not pull power cord strongly when pulling out the power plug. Always grasp the plug tightly then pull it out. Turn off the power if this equipment will not be used for a long period of time after setup.</p>	 Pull Out AC Plug
<p>To reduce the risk of electric shock, use the specified power voltage only. Do not expose equipment or power cord to strong sunlight or to moist or dusty conditions.</p>	 Forbidden
<p>To prevent damage from impact, do not place heavy objects on top of this equipment or place on uneven surfaces.</p>	
<p>Insert the power plug into power outlet entirely and clean regularly. Please pull out power plug and contact your dealer when the following happens:</p> <ol style="list-style-type: none"> ① When smoke comes out with burning smell from this equipment. ② Water or other liquid is accidentally spilt on this equipment. ③ Dropped on the ground and unit is damaged. ④ Power cord damaged. (Cord core exposed or cord broken) ⑤ No sound output. 	 Forbidden

4. Parts Description

4.1. Main Unit

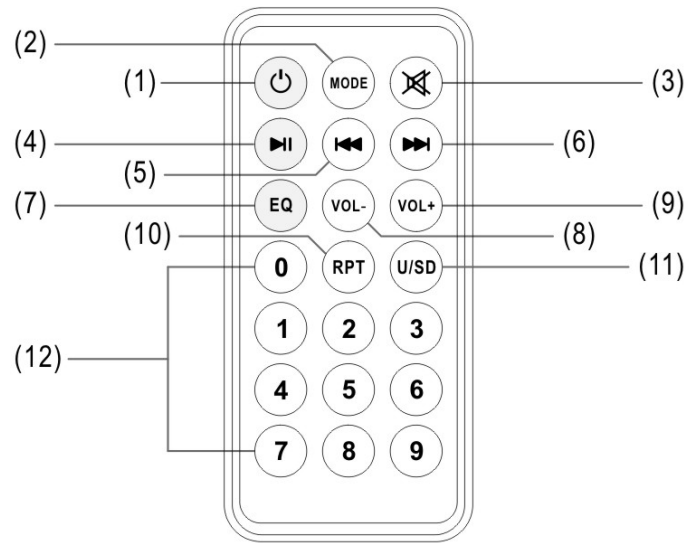


(Pictures for reference only)

PARTS DESCRIPTION

- (1) Carry Handle
- (2) Speaker
- (3) Power On / Off Switch
- (4) Control Panel
- (5) AUX 3.5mm Input
- (6) DC Power In
- (7) AUX Volume Control
- (8) Charging Indicator
- (9) TONE Control
- (10) Low Power Indicator
- (11) ECHO Control
- (12) Wireless Receiver Indicator
- (13) Wireless Mic Volume Control
- (14) Power Indicator
- (15) MIC In Volume Control
- (16) 6.3mm Mic Input
- (17) Play / Pause
- (18) Previous File / Long Press to
Decrease Audio Player Volume
- (19) Next File / Long Press to Increase
Audio Player Volume
- (20) Display Window for Audio Player
- (21) USB Slot (for flash drives up to 16GB)
- (22) SD Card Slot (up to 8 GB)
- (23) IR Sensor

PARTS DESCRIPTION



Audio Player Remote Control

- (1) MP3 Power Switch
- (2) MP3 Mode Function
- (3) MP3 Mute Function
- (4) Play / Pause
- (5) Previous
- (6) Next
- (7) EQ
- (8) VOL-
- (9) VOL +
- (10) Repeat
- (11) USB / SD Function
- (12) Number Keys

(Pictures for reference only)

Audio Player

USB	Supports MP3 / WMA USB 2.0 High Speed Playback from Solid State USB Drive up to 16GB
SD	Supports MP3 / WMA Playback from Solid State SD Card up to 8GB
On-Board Functions	Play / Pause, Prev / V-, Next / V+
Remote Functions	Power On / Off, Stop, Mute, Mode, EQ, Previous / Rewind, Next / Fast Forward, Play / Pause, Vol -, Vol +, Numeric Key
EQ Modes	Jazz, Rock, Pop, Classic

WARNING:

Do not connect any external device to USB slot other than USB flash memory drives. This slot is not designed to charge or connect phones or any other USB device. The voltage may damage your device.

4.2. Operation Guide

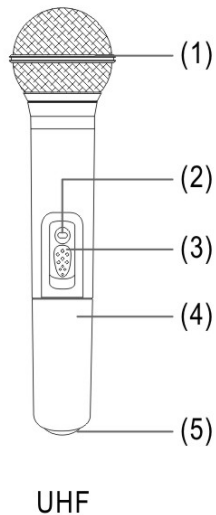
1. Turn on the power of the main unit and set to appropriate volume level.
2. Set TONE and ECHO to your desired sound effect.
3. Insert USB flash drive or SD card to play audio files.
4. Connect 3.5mm audio cable into AUX to play audio files from other device such as smart phones or tablet.
5. MIC IN 6.35mm jack for wired microphone (Available separately).

4.3. Bulit-in Rechargeable Lithium Battery

1. The PA-40W features a built-in lithium 11.1V 2.2Ah rechargeable battery.
2. To maximise battery performance complete a full charge and discharge cycle.
3. Always charge the unit when low power LED illuminated.
4. Make sure the power is switched off after operation. Over charging of the battery may cause damage.

5. Wireless Transmitter

5.1. Wireless Handheld Microphone



- (1) Mesh & Capsule
- (2) POWER LED Indicator
- (3) Power On / Off Switch
- (4) Battery Cover
- (5) Frequency Identify Colour Cap

5.2. Wireless Handheld Microphone Operation

1. Open battery cover (4) and insert 2 x AA batteries paying attention to the polarity indicated with + or -.
2. Turn on microphone POWER switch (3), POWER LED indicator (2) will flash once then off. When LOW battery indicator (3) lights up red, it indicates battery power is LOW. Please change battery for continued use.
3. For optimal battery performance remove battery when not in use.

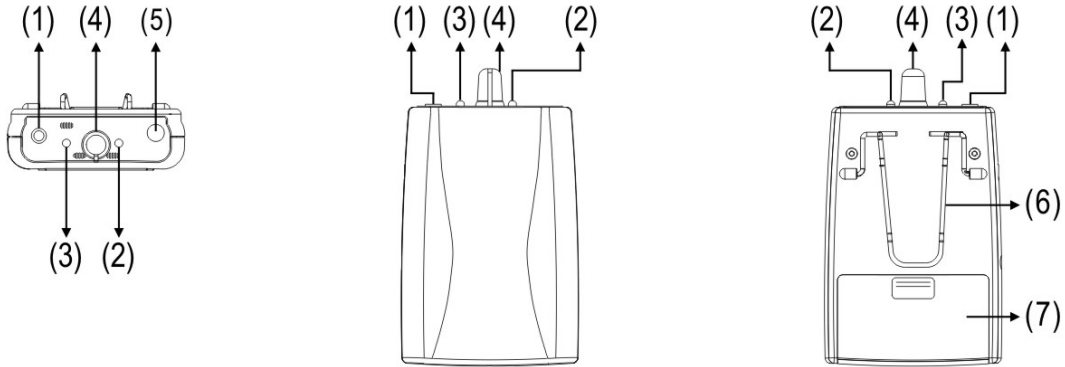
(Pictures for reference only)

5.3. Wireless Handheld Microphone Specifications

Microphone Type	Dynamic Handheld
Frequency	Orange Cap 520 MHz
Frequency	Green Cap 522 MHz
Spurious Emissions	>55dBm
Transmitting Power	10mW
Power Source	2 x AA 1.5V Batteries (Included)
Operating Time	Approx >8 Hours
On-board Indicators	Power Status / On / Off Switch
Dimensions	Ø 50 mm, L 260mm
Weight	270g

6. Optional Wireless Body Pack Transmitter

6.1. Optional Wireless Body Pack Transmitter



UHF

- (1) MIC IN (3.5mm) for Headset Microphone
- (2) POWER LED Indicator
- (3) Low Battery LED Indicator

- (4) ON / OFF Power and Volume Control
- (5) Antenna
- (6) Belt Clip
- (7) Battery Compartment / Cover

6.2. Optional Wireless Body Pack Transmitter Operation

1. Open battery cover (6) and insert 2 x AA batteries paying attention to the polarity indicated with + or -.
2. Turn ON POWER / VOL switch (4), POWER LED indicator (2) will light up green to indicate good battery voltage. When power indicator (3) lights up red, it indicates LOW battery. Please change battery for continued use.
3. Plug in headset microphone into MIC IN (1) via 3.5mm connector.
4. Adjust volume control (4) to required volume during performance.

(Pictures for reference only)

6.3. Optional Wireless Body Pack Transmitter Specifications

Frequency	UHF 520 MHz or 522 MHz
Microphone In	3.5mm Jack
Spurious Emissions	>55dBm
Transmitting Power	10mW
Power Source	2 x AA 1.5V Batteries (Included)
Operating Time	Approx >8 Hours
On-board Indicators	Power Status / Low Battery / On / Off Switch
Dimensions	68mm x 25mm x 113mm (190mm with Antenna)
Weight	100g

6.4. Headset Microphone Specifications

Microphone Type	Condenser
Frequency Range	50Hz-16KHz
Directional Characteristic	>55dBm
Transmitting Power	Uni-Directional
Sensitivity	-46dB \pm 3dB (1V / Pa at 1KHz)
Impedance	600 Ω \pm 30%
Output Connector	ϕ 3.5XLR Material
Cable Material	ϕ 2mm \times 100cm Black Shield Cover

7. Useful Tips on Using Your Portable PA System

The Promic PA-40W Portable PA System has been designed as an all-in-one portable solution that is easy to set up and get working. In order to get the most out of your Portable PA System please follow these simple guidelines:

- 7.1. Charge your portable system regularly and never store in a completely discharged state.
- 7.2. It is important to elevate and place the speaker at an appropriate position to maximise its coverage and minimise feedback.
- 7.3. To avoid feedback, do not place the microphone directly in front of the portable loudspeaker.
- 7.4. Position the speaker in front of the microphone user so it is further towards the audience.
- 7.5. If your audio output quality is being spoilt by wind noise, turning the Bass down will help to cut out the noise.
- 7.6. Do not position the PA speaker too far from the person speaking.
- 7.7. Work on your microphone technique. A vocal microphone needs to be held right up to the mouth. The further away the microphone is positioned from the mouth the lower the audio output.
- 7.8. Always have spare AA batteries for the wireless microphone and always have a corded microphone on hand. Often wireless microphones are left on accidentally and may have no battery charge so having a corded microphone always means a microphone is available.
- 7.9. Do not forget to recharge the PA system after each use.

8. Accessories Available for Your Promic PA-40W System

8.1. Dynamic Wired Microphone

This is a necessity in case your wireless microphone has been left on accidentally and has no charge. It's also great to be able to have 2 people talk / perform at the same time.

8.2. Body Pack Transmitter with Headset Microphone

Hands free speech or performing/presenting. Includes basic headset microphone.

9. Other Systems Available in the Promic Range

If you enjoy using the Promic PA-40W but need more output then the PA-60W, PA-120W and our flagship PA-200W systems are available. Visit www.talkaudiovisual.com.au for more information.

10. PROMIC PA-40W Warranty

“Seller” warrants the “Product” and accessories contained in the original packaging (“Product”) against defects in materials and workmanship when used normally in accordance with published guidelines for a period of TWELVE (12) MONTHS from the date of original consignment by the end-user purchaser (“Warranty Period”). Published guidelines include but are not limited to information contained in technical specifications, user manuals and service communications. Seller warrants that the goods, whilst they remain in the possession of the Buyer, will under proper use, be free from defects solely due to faulty workmanship and materials during a period of 12 months from consignment, to the extent that upon authorised return to Seller freight prepaid during that period of any part of the goods covered by this warranty, Seller will if it finds such part to be so defective, at its option repair such part or supply a replacement part provided that the goods or any part are not without Seller's consent altered, repaired or subjected to any technical attention by any person other than Seller's authorised representatives.

This Warranty does not apply :

- (a) To consumable parts, such as batteries or protective coatings that are designed to diminish over time, unless failure has occurred due to a defect in materials or workmanship;
- (b) To cosmetic damage, including but not limited to scratches, dents, engravings and broken plastic on microphones or other plastic parts;
- (c) To damage caused by use with another product;
- (d) To damage caused by accident, abuse, misuse, liquid contact, fire, earthquake or other external cause;
- (f) To damage caused by service (including upgrades and expansions) performed by anyone who is not an Authorised Service Provider;
- (g) If an incorrect voltage power supply is used with this product.

Except as herein provided, all conditions and warranties in respect of the goods, expressed or implied statutory or otherwise are hereby excluded. Under no circumstances shall Seller be liable to pay compensation for any injury, loss or damage sustained by Buyer howsoever arising.

11. How to Make a Warranty Claim

1. Email your claim to Seller at service@talkaudiovisual.com.au with the following information :
 - (i) Organisation or customer name
 - (ii) Approximate date of purchase
 - (iii) Product model number (PA-40W)
 - (iv) Full details of fault (e.g. Wireless Microphone malfunction). Please provide as much information as possible including photographs if necessary.
2. A warranty case number will be provided as soon as possible and instructions on the appropriate action will be given.
3. If warranty service is required, the product is to be returned in its original packaging (or substantial alternative) by prepaid freight. Please use warranty case number as a reference.
4. Seller is not responsible for Product whilst in transit for loss or damage. Insured delivery by courier with proof of delivery is recommended.
5. Return freight will be paid by Seller after repair or replacement within reasonable timeframe.

Designed and Manufactured For:
TALK AUDIO VISUAL AUSTRALIA
www.talkaudiovisual.com.au
1300 55 22 90
info@talkaudiovisual.com.au

