

# Performance Series IP Embedded NVR Kits

3 Megapixel Full HD IP Cameras and 4 channel embedded NVR

Introducing the new Performance Series IP embedded NVR kits from Honeywell. The kits feature 3 Megapixel Full HD IR-illuminated IP66-rated cameras, and an embedded NVR with a user-friendly set-up and configuration wizard that takes you to live video in minutes. You have a choice of a 1 or 2 TB embedded NVR (Field upgradeable up to 12TB\* storage max) and 4 IP ball cameras OR 4 IP bullet cameras. These bundled kits offer the perfect economical and flexible solution for small to medium sized businesses.



## Fully-featured NVRs

- High decoding capability for full HD viewing and recording.
- View up to four channels simultaneously on your monitor.
- All channels live view and play back at 1080p @ full frame rate and 3MP @ 20 frames per second.
- Bidirectional audio communication for the NVR.

## Fully-featured Cameras

- IR LEDs facilitate recording in dimly lit or nighttime scenes.
- Waterproof (IP66) camera housings are perfect for outdoor installations.
- Camera configurations to improve image quality and reduce image size, and to detect and respond to alarm events.
- 1/3" 3MP sensor, no distortion of image in 16:9 display, 12.5% more pixel density than conventional 3MP 4:3 cameras

## Easy to Use

- The Quick wizard and PoE support of plug-and-play makes setup fast and easy.
- Physical installation within minutes with the help of comprehensive and easy-to-understand quick installation guides for the NVR and IP cameras.

## Convenient, Flexible Storage Options

- Internal storage supports two HDDs up to 12 TB (6 TB each).\*
- Store videos and snapshots to external storage, such as the client's PC, over the Internet.
- Store videos and snapshots to an external network storage server such as an FTP site.
- Store videos and snapshots to a USB memory device.

## Dynamic, Accessible Monitoring

- Monitor from anywhere using the mobile apps for Apple and Android smartphones, tablet computers, and laptops.

## Privacy Masking

- Conceal up to 4 areas of a scene from viewing and recording.

## Safety Features

- Configurable motion detection and camera tamper detection settings, including configurable alarm alerts, such as automatic emails (with attached video or snapshot) and automatic alerts (such as buzzers or flashing lights).
- Remote configuration and firmware updating through Honeywell Viewer web client and the Honeywell Config tool. Password-protected access to the camera's and NVR's video and network setup.

## Market Opportunities

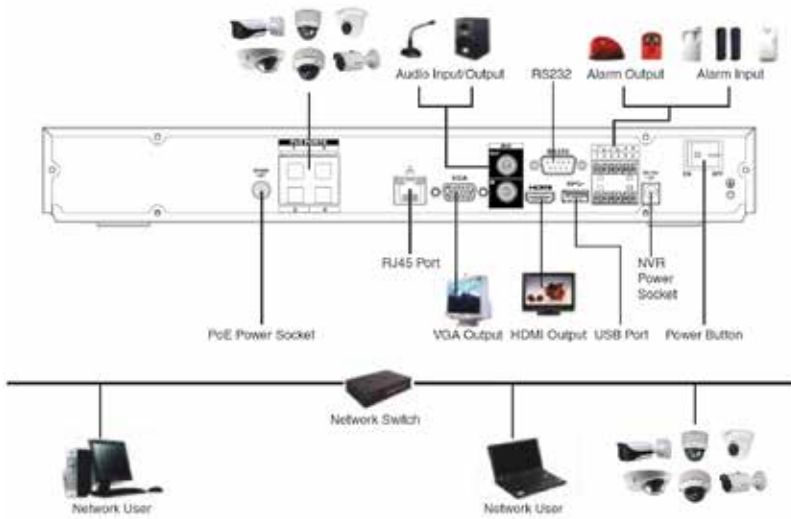
- The flexible storage options of the Performance Series IP Embedded NVR plus the fully-featured IP IR cameras make this kit perfect for many security applications.

CAMERA FEATURES
30 fps @ 1080p (1920x1080) or 20 fps @ 3MP (2304x1296) 16:9 display
True Day/Night mode with Smart IR Technology
UL listed
3.6mm F 2.1 fixed lens (Bullet), 2.8mm F 2.1 fixed lens (Ball Camera)

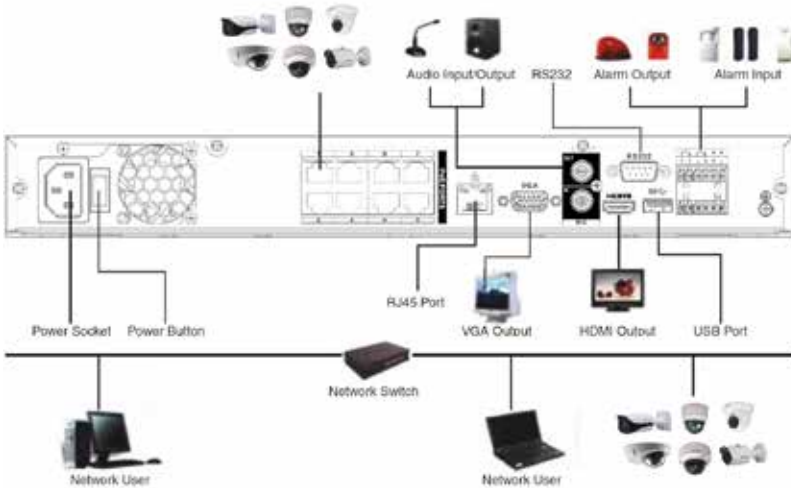
NVR FEATURES
H.264/MJPEG dual codec decoding
HDMI / VGA simultaneous video output
4/8/16 channels
Supports 4 channels of alarm input and 2 channels of alarm relay output
Supports IE, Safari, Chrome, Firefox
UL listed

# Performance Series IP Features

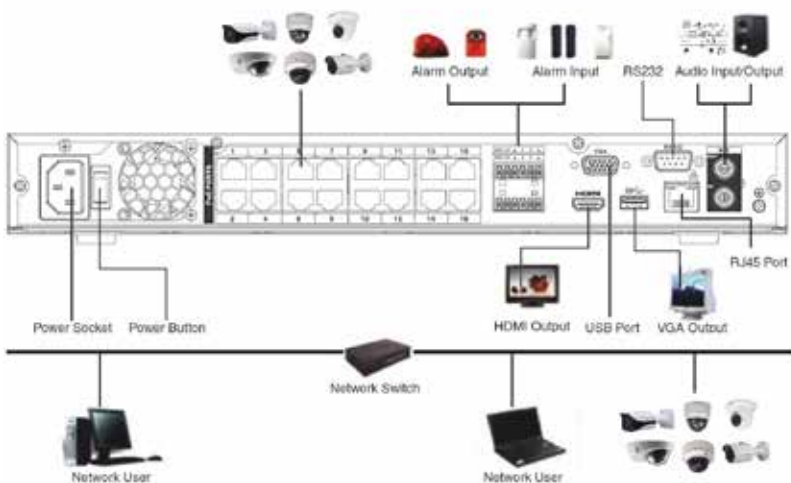
## 4-channel NVRs



## 8-channel NVRs



## 16-channel NVRs



## Immediately Detect and Respond to Events

The Performance Series IP NVR/Cameras can be configured to automatically detect and respond to events such as motion in the scene, alarm inputs, a network failure and/or tampering. Automated responses include:

- Sending a notification through email, FTP and/or HTTP.
- Uploading still images at the time of the event through email and/or FTP.
- Recording a video clip of the event to the client's PC or network-attached storage.
- Enabling a visual or auditory notification (a flashing light, bell or siren).

# Performance Series IP NVR specifications

SYSTEM	
Main processor	Dual-core embedded processor
Operating System	Embedded LINUX
VIDEO	
IP Camera Inputs	4 channels
Bidirectional Audio	1 channel input; 1 channel output; BNC
DISPLAY	
Interface	1 HDMI; 1 VGA
Resolution	1920x1080; 1280x1024; 1280x720; 1024x768
Display Split	1/4
OSD	Camera title; Time; Video loss; Camera lock; Motion detection; Recording
RECORDING	
Compression	H.264/MJPEG
Resolution	5MP (2560x1920); 4MP (2688x1520 / 2560x1440); 3MP (2304x1296 / 2048x1536); 1080p (1920x1080); 720p (1280x720); D1 (704x576/704x480); SXGA (800x600); 1.3 MP (1280x1024)
Recording Rate	100/120 fps @ 1080p
Bit rate*	48 to 8192 kbps
Recording Mode	Manual; Schedule (Regular [Continuous], Motion Detection, Alarm, Motion Detection+Alarm); Stop
Recording Interval	1 to 120 minutes (default: 60 minutes); Pre-recording: 1 to 30 seconds.
VIDEO DETECTION AND ALARMS	
Trigger Events	Recording; Tour; Alarm; Email; FTP; Buzzer; Screen Tips
Video Detection	Motion Detection; Motion Detection Zones (396: 22 x 18); Video Loss and Camera Blank; Privacy Masking
Alarm Input	4 channels
Relay Output	2 channels
PLAYBACK AND BACKUP	
Synchronised Playback	1/4
Search Mode	Time/Date; Alarm; Motion Detection; Exact Search (accurate to a second)
Playback Function	Play; Pause; Stop; Rewind; Fast play; Slow play; Full Screen; Backup
Backup Mode Compatibility	USB Device; Network

NETWORK	
Operating System	Windows® XP; Windows Vista; Windows 7
CPU Requirements	Pentium M 2.16 GHz or Intel Core 2 Duo 2 GH
System Memory	At least 2 GB
Network Card	RJ-45 (10/100 Base-T)
Web Browser	Microsoft Internet Explorer 6.0 or later; Mozilla Firefox®
Supported Protocols	HTTP; TCP/IP; IPv4/IPv6; UPnP; RTSP; UDP; SMTP; NTP; DHCP; DNS; IP filter; PPPoE; DDNS; FTP; Alarm server; IP search
Smart Phone Compatibility	iOS; Android™
STORAGE	
Internal Storage	2 SATA ports; up to 12 TB; RAID (redundancy)
CONNECTORS	
Ethernet	1 x RJ-45 port (10/100/1000 Mbps)
PoE	4 ports (IEEE802.3af)
USB	2 ports: USB 3.0 on rear panel; USB 2.0 on front panel
RS232	1 port, for PC communication
RS485	1 port
ELECTRICAL	
Power Supply	NVR: 12 V DC; 4 A external adaptor PoE: 48 V DC; 1.04 A external adaptor
Power Consumption	35 ~ 115 W depending on the number of HDD installed and PoE loading (maximum 393 Btu/hr)
ENVIRONMENTAL	
Operating Temperature	-10°C to 55°C (14°F to 131°F)
Storage Temperature	-20°C to 70°C (-4°F to 158°F)
Humidity	10% to 90%
PHYSICAL	
Dimensions	375x285x52.6 mm
Weight (without HDD)	2.0 kg
REGULATORY	
Emissions	FCC Part 15B, CE EN55022
Immunity	CE EN50130-4
Safety	EU: EN60950-1 North America UL listed to UL/CSA 60950-1

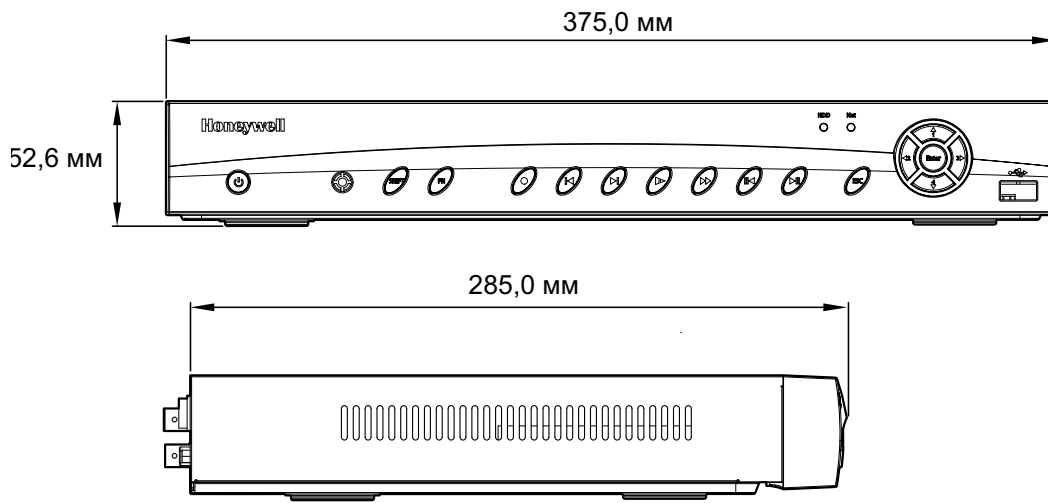
\* Actual bitrate is scene and motion dependent with H.264 stream.

\*\* Some development might be required in specific user cases to support some of these protocols in the field as naturally protocols will mature over time.

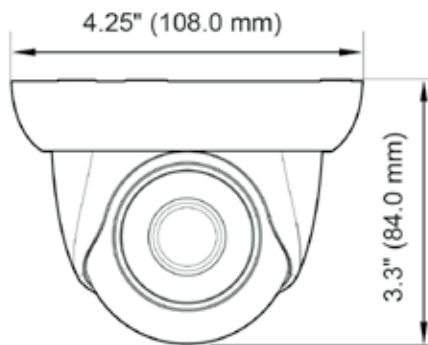
# Performance Series IP Camera specifications

CAMERA		
Image Sensor	1/3" 3 megapixel progressive scan CMOS	
Effective Pixels	2304 (H) × 1296 (V)	
Electronic Shutter Speed	HED3PR3: Auto/Manual, 1/3–1/30000 s HBD3PR1: Auto/Manual, 1–1/100000 s	
Min. Illumination	0.45 lux, F2.1 (Color); 0 lux (IR LEDs on)	
S/N Ratio	More than 50 dB	
CAMERA FEATURES		
IR Distance	Up to 100 ft (30 m), depending on scene reflectance	
Day/Night	Auto(ICR)/Color/BW	
Backlight Compensation	BLC/HLC/DWDR	
White Balance	Auto/Manual	
Gain Control	Auto/Manual	
Noise Reduction	3D	
Privacy Masking	Up to 4 areas	
LENS		
Focal Length	HED3PR3: 2.8 mm HBD3PR1: 3.6 mm	
Max. Aperture	F2.1	
Focus Control	Fixed	
Horizontal Angle of View	HED3PR3: 89° HBD3PR1: 81°	
Lens Type	Fixed	
VIDEO		
Compression	H.264(Main/High/Baseline Profile)/MJPEG	
Resolution	3 MP (2304×1296), 1080p (1920×1080), 720p (1280×720), D1 (704×576/704×480), CIF (352×288/352×240)(704×576/704×480), CIF (352×288/352×240)	
Frame Rate	Main Stream	3 MP (1–20 fps), 1080p (1–25/30 fps)
	Sub Stream	D1, CIF (1–25/30 fps)
Bit Rate	H.264: 4–8192 kbps	
Corridor Mode	Support	
NETWORK		
Ethernet	RJ-45 (10/100Base-T)	
Protocol	IPv4/IPv6, HTTP, HTTPS, TCP/IP, UDP, UPnP, ICMP, IGMP, RTSP, RTP, SMTP, NTP, DHCP, DNS, PPPoE, DDNS, FTP, IP Filter, QoS	
Compatibility	ONVIF Profile S, CGI	
Max. User Access	20 users	
Mobile App	HonView Touch for iPhone, iPad, Android Phone and Tablet	
GENERAL		
Power Supply	PoE (802.3af), 12 V DC	
Power Consumption	4.7 W max. (IR LEDs on)	8.5 W max. (IR LEDs on)
Working Environment	–22°F to 140°F (–30°C to 60°C); 10% to 100% RH, condensing	
Ingress Protection	IP66	
Vandal Resistance	IK10	
Dimensions	4.33 × 3.19 in. (110 × 81 mm)	4.8 × 3.5 in. (122 × 89 mm)
Weight	0.86 lb (0.39 kg)	1.1 lb (0.5 kg)
Regulatory	FCC, Part 15B, Class B	

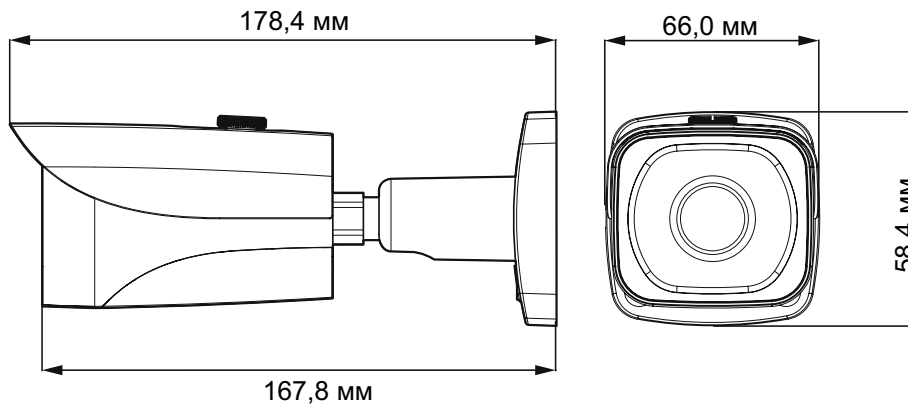
# Performance Series IP Dimensions



HED3PR3 Ball Camera



Bullet Camera

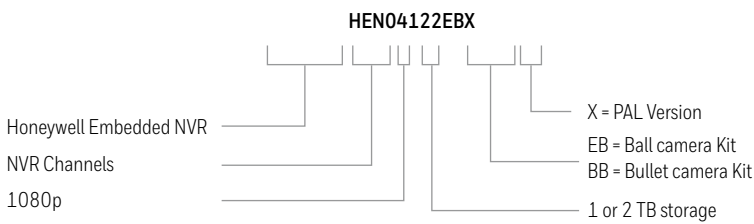


# Performance Series IP Ordering

MODEL NUMBER	DESCRIPTION
HEN04102EB	H.264 4CH NVR, no HDD and 4 pcs H.264 3MP IR BALL Camera
HEN04112EB	H.264 1080p 4CH NVR 1TB AND 4 pcs H.264 3MP IR BALL Cameras
HEN04122EB	H.264 1080p 4CH NVR 2TB AND 4 pcs H.264 3MP IR BALL Cameras
HEN04102BB	H.264 4CH NVR, no HDD and 4 pcs H.264 3MP IR BULLET Cameras
HEN04112BB	H.264 1080p 4CH NVR 1TB AND 4 pcs H.264 3MP IR BULLET Cameras
HEN04122BB	H.264 1080p 4CH NVR 2TB AND 4 pcs H.264 3MP IR BULLET Cameras

ACCESSORIES	
HE-JBX	In-ceiling Mount, Back Box (for Ball Camera)

NOTE: Honeywell reserves the right, without notification, to make changes in product design or specifications.



**For additional information, please visit:**

[www.honeywell.com/security/uk](http://www.honeywell.com/security/uk)

## Honeywell Security Group

Aston Fields Road  
 Whitehouse Industrial Estate  
 Runcorn  
 Cheshire WA7 3DL  
 Tel: 08448 000 235  
[www.honeywell.com](http://www.honeywell.com)

HSFV-Performance-01-UK(0816)-DS-R  
 © 2016 Honeywell International Inc.

**Honeywell**