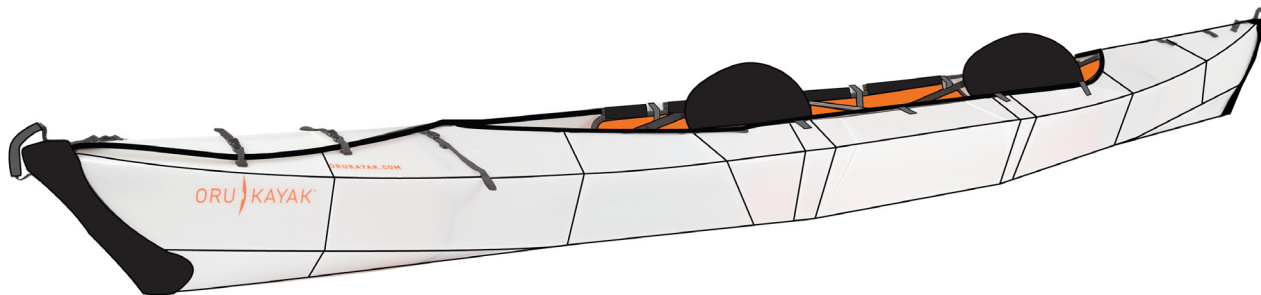


HAVEN TT



SCAN AND
WATCH ON
YOUR PHONE

ORU KAYAK



Assembly Guide (Pages 1-16)
Disassembly Guide (Pages 17-20)

Read this entire Assembly
Guide before assembling
your Oru Kayak.

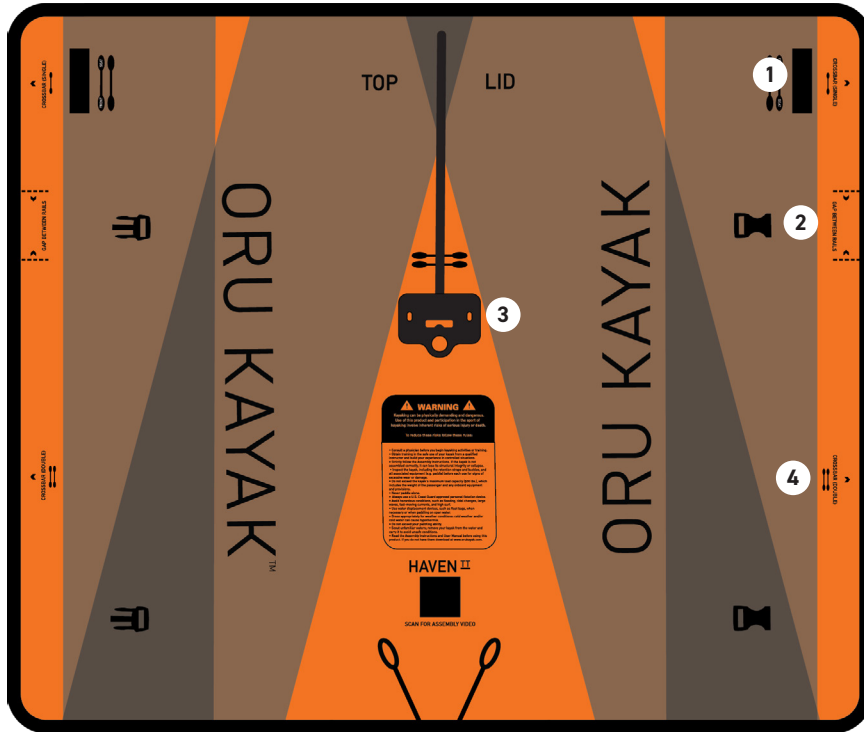
◀ **IMPORTANT** ▶

Watch the instruction video:
www.orukayak.com/assembly/haventt

SERVICE@ORUKAYAK.COM

Getting Familiar

floorboard components



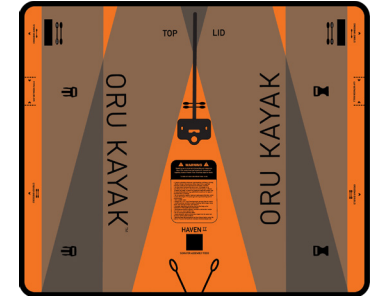
1 Bowties: Allow you to easily set up multiple seating configurations.

2 Alignment Icons: Ensure proper installation of floorboards in boat.

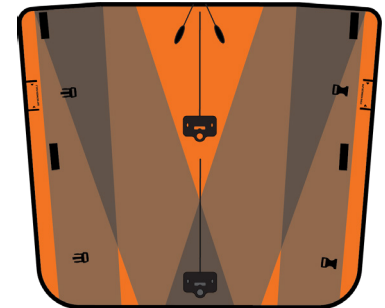
3 Seat column plates: Connect to the seat column holding the seat system in place.

4 Crossbar Alignment Icon: This arrow indicates the correct place to install the crossbar.

5 Bow (front) floorboard: Reinforces kayak bottom and holds the front seat.

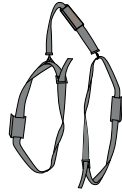


6 Stern (rear) floorboard: Reinforces kayak bottom and holds the rear and middle seat.

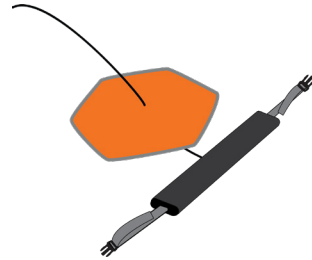


Getting Familiar assembly components

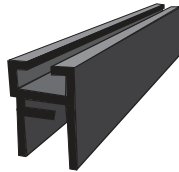
1 Shoulder strap: Used to carry the kayak when in box form. Stow out of the way while kayaking.



2 Bow footrest/bulkhead: Attached to the front half of the kayak. Used in both the tandem and single paddler configuration.



3 Cockpit tracks: Attached to the skin. Connect the floorboards to the skin and provide a track for mounting accessories and the crossbar.



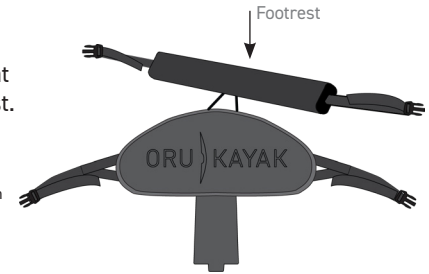
4 Bulkhead channels: Attached to the inner hull. Hold the two bulkheads in securely.



5 Stern backrest: Includes the seat column and adjustable backrest. (Note: This backrest is used in both the tandem and single paddler configuration.)



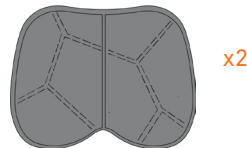
6 Bow backrest: Includes the seat column and adjustable backrest. An attached footrest provides bracing for the rear paddler. (Note: This backrest is only used in the tandem configuration.)



7 Stern bulkhead: Provides structural rigidity.



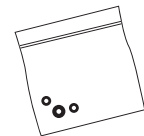
8 Seat pads: Tuck under the bungee in the floorboard.



9 Crossbar: Adds additional rigidity to the kayak.



10 Spare parts kit: Extra hardware for repairs and upkeep.



Step 1: Open the box

The box contains all the components needed for assembly.

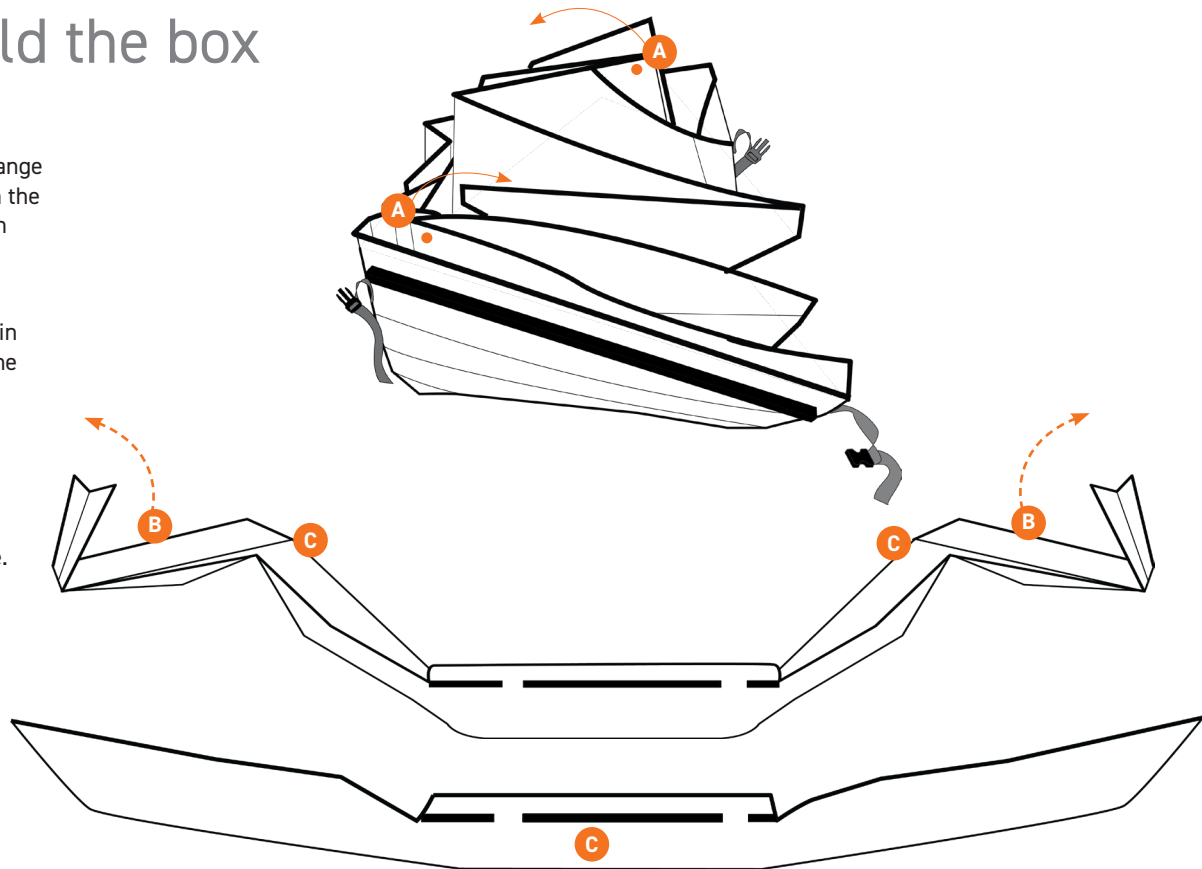
- A** Loosen and slide off the two loops that go around box. Set shoulder strap aside (you won't need it while kayaking).
- B** Lift both lids off. These will become the kayak's floorboard.
- C** Unclip the buckles on the sides. Remove the loose kayak components packed into the box. [See page 5 for a list of loose components.] Additional components are permanently attached to the hull/deck.



- B** The lid becomes the kayak's floorboard.

Step 2: Unfold the box

- A** Hold the two folds at the orange stickers. Pull as indicated in the illustration to open. The skin will be stiff.
- B** Pull the two flaps indicated in the diagram out to extend the box into a long sheet.
- C** Pop the hull flat with your hands as you extend it, pushing down the inverted folds, creating a bowl shape.



TIP

For help on this step, reference the assembly video at www.orukayak.com/pages/assembly

Step 3: Close the front of the kayak

- A** 1 Make sure the ends are inverted.
2 Fully tighten the end strap on the bow and stern.

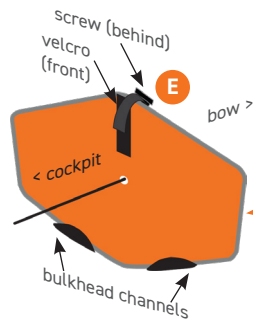
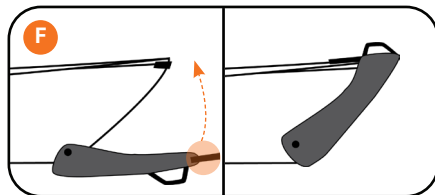
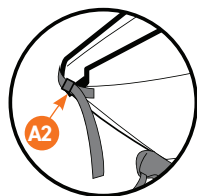
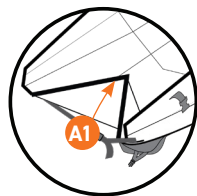
- B** Place the attached bow bulkhead in the bulkhead channels on the cockpit side of screw. You may have to hold it there while starting the next step.

- C** Place the flap with **curved edge** (adjustable buckles) over flap with straight edge, as shown. Engage the cockpit side release buckle. Tighten by pulling the strap.

- D** Buckle and tighten the other two straps.

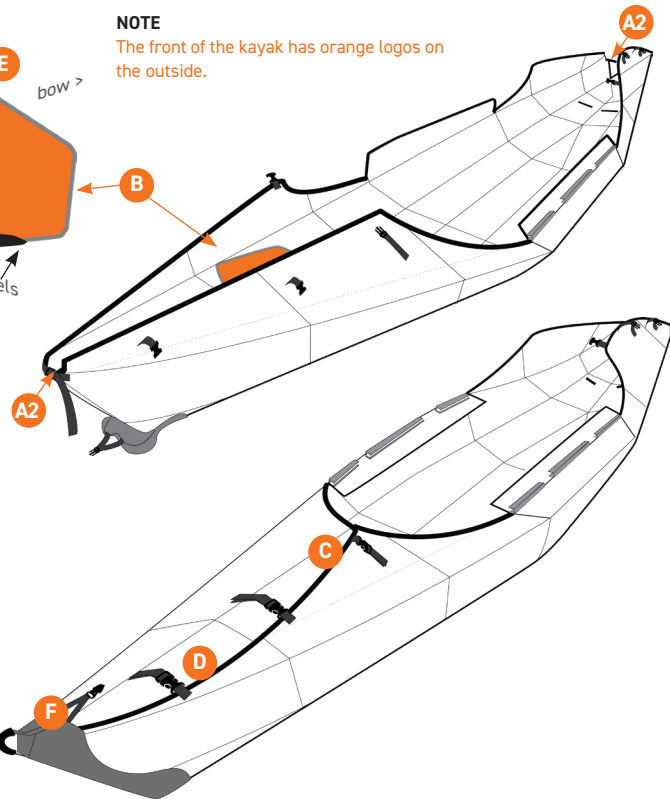
- E** Attach velcro to the top of the bulkhead, as shown in close-up.

- F** Stretch front fairing over the bow, and clip the small buckle onto last deck strap and tighten.



NOTE

The front of the kayak has orange logos on the outside.



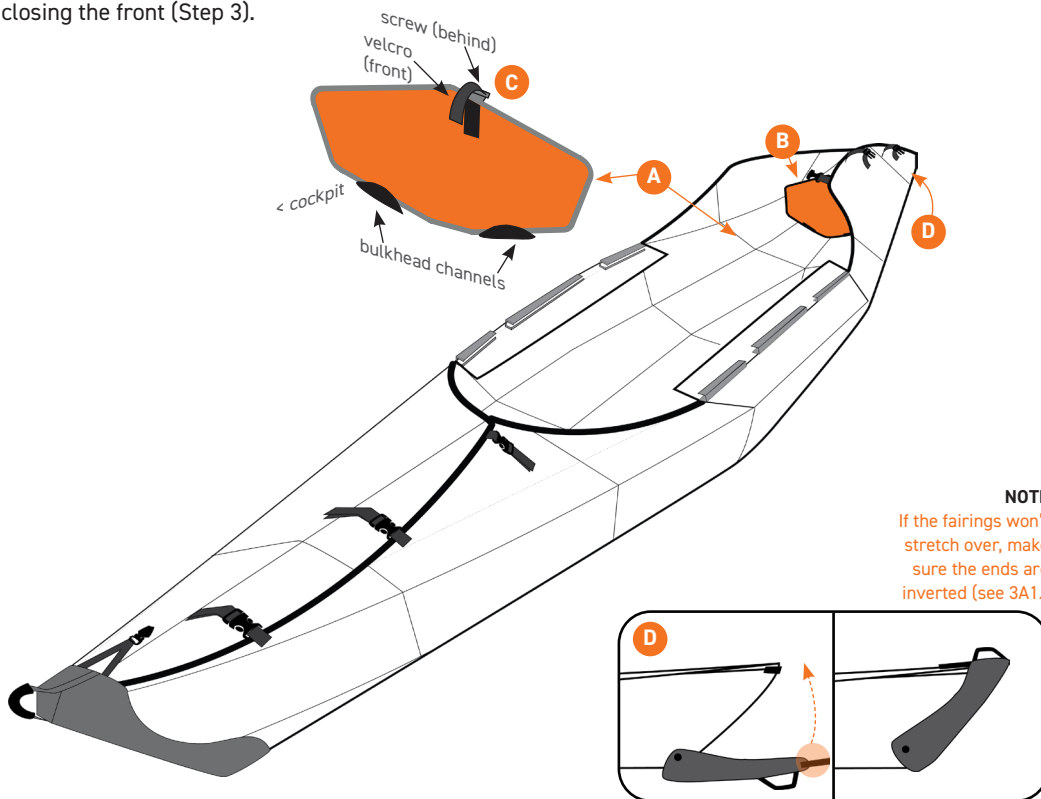
NOTE

If the fairings won't stretch over, make sure the ends are inverted (see 3A1.)

Step 4: Close the back of the kayak

Closing the back of the kayak is similar to closing the front (Step 3).

- A** Place the loose stern bulkhead in bulkhead channels as shown (make sure the side with velcro is on top). You may have to hold it there while starting the next step.
- B** Place the flap with the **curved edge** (adjustable buckles) over the flap with the straight edge, as shown. Engage the cockpit side release buckle. Tighten by pulling the strap. Buckle the other two straps.
- C** Attach the velcro to top of the bulkhead as shown, like in Step 3.
- D** Stretch rear fairing over the stern, and clip the small buckle onto last deck strap and tighten.



NOTE

If the fairings won't stretch over, make sure the ends are inverted (see 3A1.)

Step 5: Insert the floorboards

- A** Orient the floorboards relative to the hull as shown.

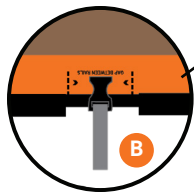
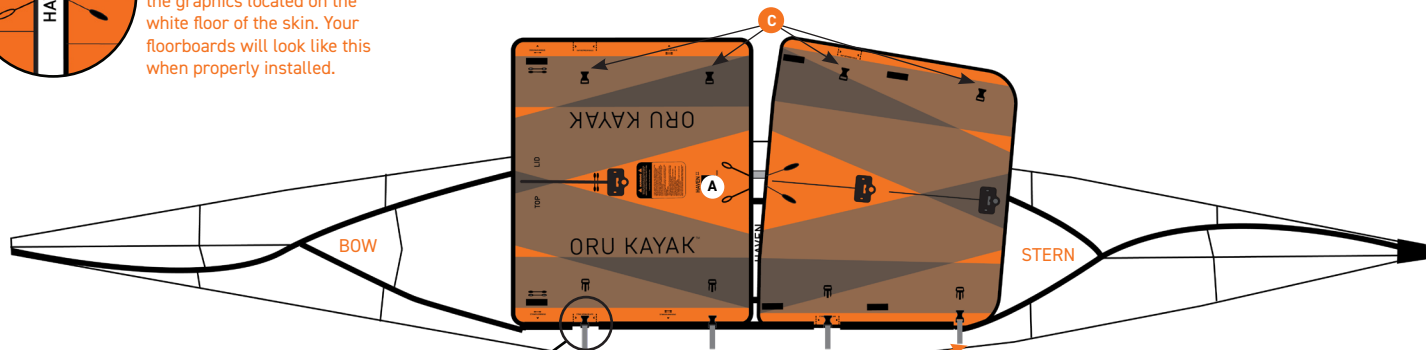


CLOSE-UP

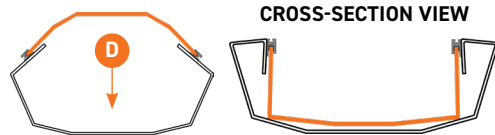
Make sure the paddle graphics on the floorboards match the graphics located on the white floor of the skin. Your floorboards will look like this when properly installed.

- B** Place the alignment graphic into the gap between the track. Insert **one side of both floorboards** as shown and connect the four corresponding gray strap buckles. Make sure the straps are tight before proceeding.

- C** Repeat on the other side, connecting the remaining four gray strap buckles on the boat to the floorboard. Make sure the straps are **tight** before proceeding.



- D** The floorboards will be curved upwards at this point. Press the center of both floorboards down at the same time.





For tandem
assembly
reference
pages 11-13



For single
paddler
assembly
reference
pages 14-15

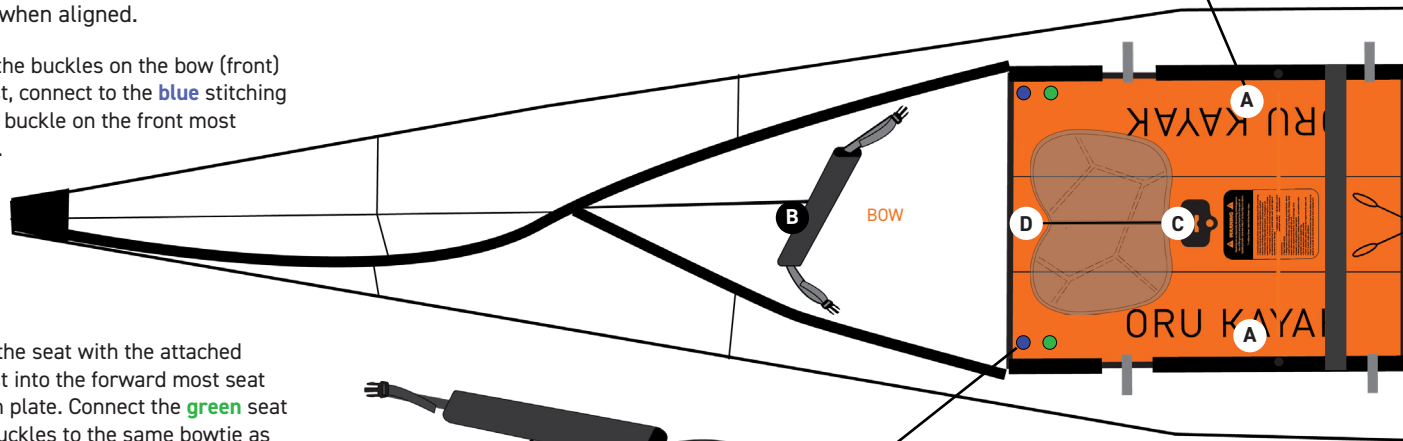
Step 6: Insert the bow seat/footrest and rod

TANDEM

- A** Loosen the knobs on the crossbar two full turns. Slide the crossbar onto the track using the graphics on the floorboard to align. Tighten down the knobs when aligned.

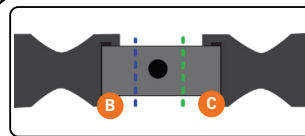
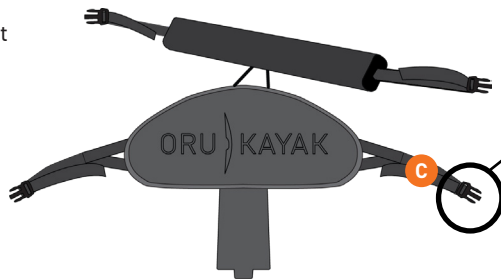


- B** Using the buckles on the bow (front) footrest, connect to the **blue** stitching female buckle on the front most bowtie.



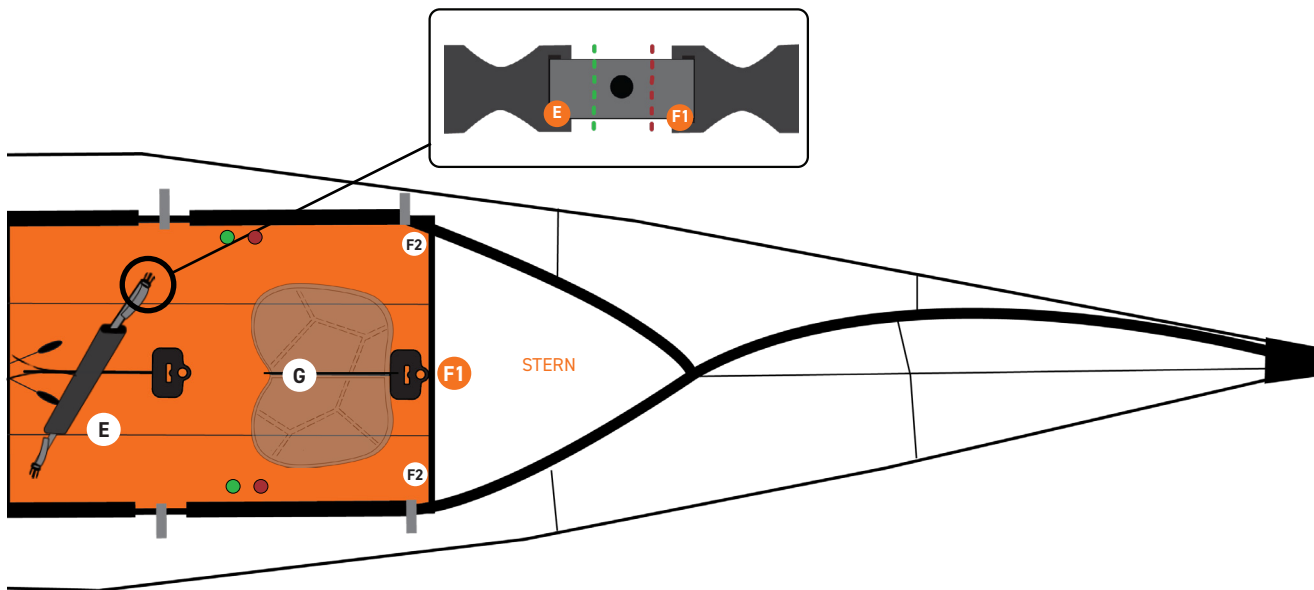
- C** Insert the seat with the attached footrest into the forward most seat column plate. Connect the **green** seat back buckles to the same bowtie as the bow footrest (blue and green bowtie).

- D** Insert the seat pad under the front bungee.



Step 6: Insert the stern seat/the footrest

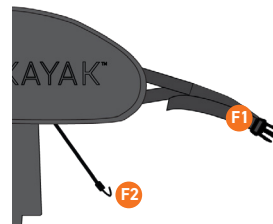
TANDEM



E Connect the footrest attached to the front seat to the **green** stitching female buckle in the rear of the cockpit. **Note: the footrest in this step is attached to the seat installed in step B**

F 1 Insert the other seat into the rear most seat column plate. Connect the **red** seat back buckles to the same bowtie as the stern footrest.

2 Connect the bungee cord hooks to the loops on the base of the floorboard.



G Insert the seat pad under the rear bungee.

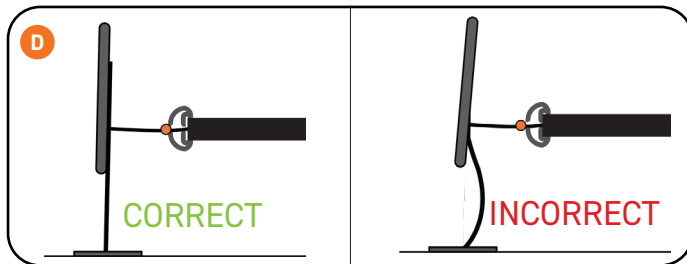
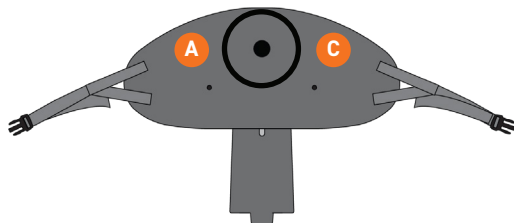
Final adjustments

SINGLE

BEFORE YOU GET IN:

ADJUST THE BACKRESTS

- A** Loosen the knob on the rear of the seat one full turn counter-clockwise (over-turning may cause the knob to fall off.)
- B** Slide the backrest to the desired height.
- C** Re-tighten the knob until the seat back is secure.
- D** Adjust the tension on the rear footrest bungee using the **bungee slider**. You want the seat column to be flat.



ONCE YOU'RE IN:

ADJUST THE BACKREST AND FOOTREST TENSION

- E** Tighten, or loosen the seatback straps, while leaning against the backrest.
- F** The footrest should keep your legs comfortably bent, with your knees splayed outward. To adjust the front footrest, tighten or loosen adjustable straps.

TIP

The backrest should provide support, with your lower back and buttocks forming a 90-degree angle, with your chest slightly forward.

WARNING

Do NOT attempt to carry the assembled kayak loaded with gear. Carry gear separately.

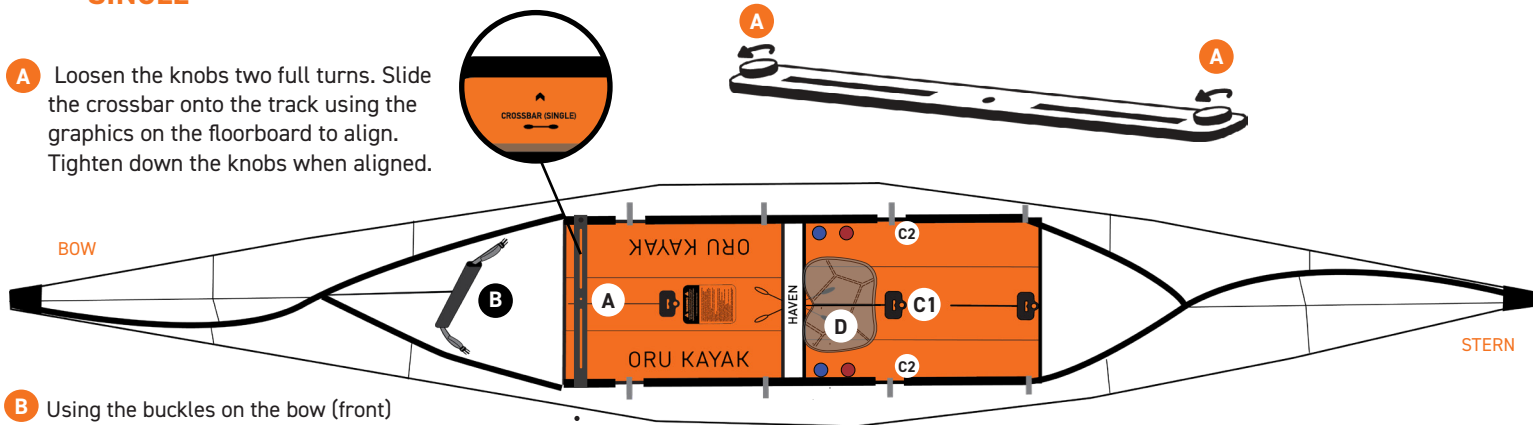
ASSEMBLY CHECKLIST

- Bow and stern bulkheads are in bulkhead channels.
- Both knobs of the crossbar are tight.
- All footrest and seat buckles are buckled.
- All deck buckles are secure.
- Bow and stern straps are tight and the fairings cover both ends.

Congratulations!
Your Oru Haven TT is ready for the water.

Step 6: Insert the stern seat/the footrest

SINGLE



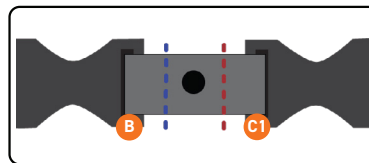
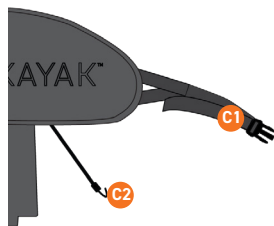
A Loosen the knobs two full turns. Slide the crossbar onto the track using the graphics on the floorboard to align. Tighten down the knobs when aligned.

B Using the buckles on the bow (front) footrest, connect to the **blue** stitching female buckle on the middle bowtie of the cockpit.

C 1 Insert the other seat into the middle seat column plate. Connect the **red** seat back buckles to the same bowtie as the stern footrest.

2 Connect the bungee cord hooks to the loops on the base of the floorboard.

D Insert the seat pad under the middle bungee.



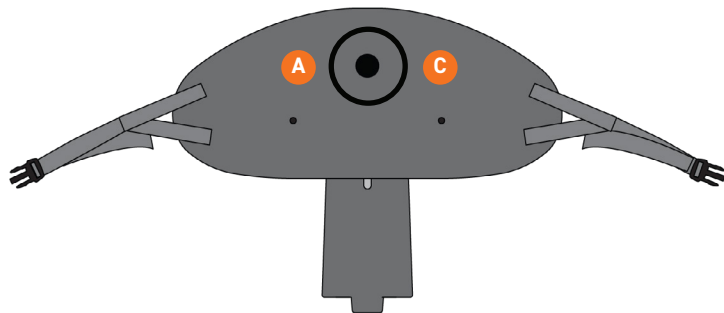
Final adjustments

SINGLE

BEFORE YOU GET IN:

ADJUST THE BACKRESTS

- A** Loosen the knob on the rear of the seat one full turn counter-clockwise (over-turning may cause the knob to fall off.)
- B** Slide the backrest to the desired height.
- C** Re-tighten the knob until the seat back is secure.



ONCE YOU'RE IN:

ADJUST THE BACKREST AND FOOTREST TENSION

- D** Tighten, or loosen the seatback straps, while leaning against the backrest.
- E** The footrest should keep your legs comfortably bent, with your knees splayed outward. To adjust the front footrest, tighten or loosen adjustable straps.

TIP

The backrest should provide support, with your lower back and buttocks forming a 90-degree angle, with your chest slightly forward.

WARNING

Do NOT attempt to carry the assembled kayak loaded with gear. Carry gear separately.

ASSEMBLY CHECKLIST

- Bow and stern bulkheads are in bulkhead channels.
- Both knobs of the cross-bar are tight.
- All footrest and seat buckles are buckled.
- All deck buckles are secure.
- Bow and stern straps are tight and the fairings cover both ends.

Congratulations!
Your Oru Haven TT is ready for the water.



SCAN AND
WATCH ON
YOUR PHONE

Disassembly Guide

TIP:

Some water may collect
inside the plastic
corrugated flutes.

To let it drain,
stand the assembled kayak
vertically for about 10
minutes.



HAVENTT

Read this entire Assembly
Guide before assembling
your Oru Kayak.

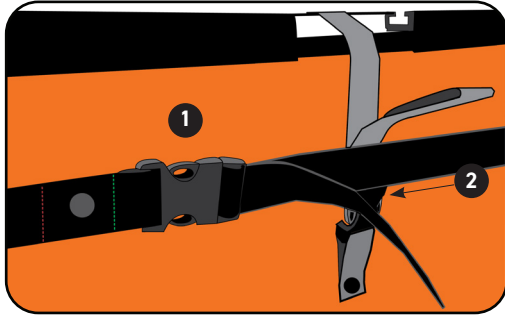
◀ **IMPORTANT** ▶

Watch the instruction video:
www.orukayak.com/assembly/haventt

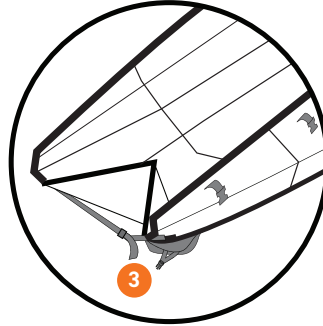
Back on land: Folding your Oru Kayak into its box

Disassembling the Oru Kayak is basically a reversal of the assembly; however there are a few tricks.

Follow these simple directions to learn how to pack your Oru Kayak back into its box quickly and easily.



- 1** Unbuckle all seats and footrests, removing all seat backs, seat pads, and footrests. Remove the crossbar from the rail track by loosening the knobs **one** turn. **You may need to gently tap the bar to remove it.**
- 2** Unbuckle and loosen all remaining side-release buckles.

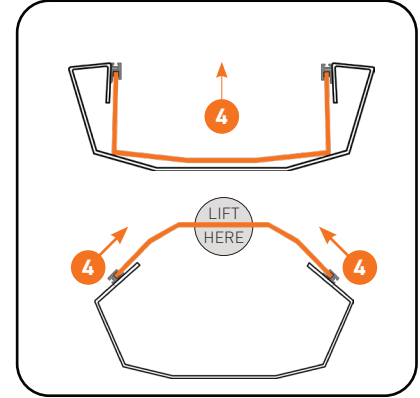


- 3** Pull off both fairings and fully loosen both end straps.

**FOR STEP-BY-STEP VIDEO INSTRUCTION
WATCH THE ASSEMBLY VIDEO:**

www.orukayak.com/pages/assembly

TIP: Some water may collect inside the plastic corrugated flutes. To let it drain, stand the assembled kayak vertically for about 10 minutes.



- 4** Lift up both floorboard to remove. If rubber trim sticks in channels, gently wiggle it.
- 5** Remove bow/stern bulkheads. Note: the bow bulkhead will remain connected but should be outside of skin before starting the next step.

Back on land: Folding your Oru Kayak into its box

- 6** Fold either bow or stern inward like an accordion. Using your knee helps!



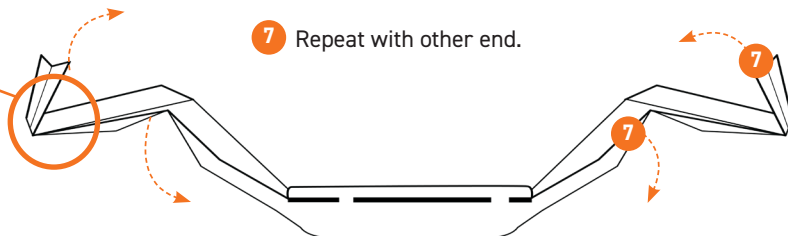
CLOSE-UP

Make sure the inverted fold is flat when folding your boat up. The end strap will be completely loose as shown.

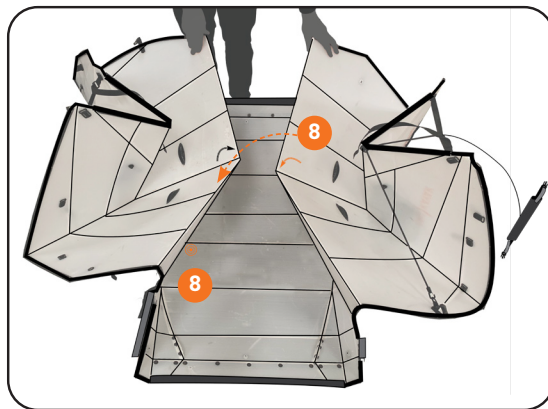
**FOR STEP-BY-STEP VIDEO INSTRUCTION
WATCH THE ASSEMBLY VIDEO:**

www.orukayak.com/pages/assembly

- 7** Repeat with other end.



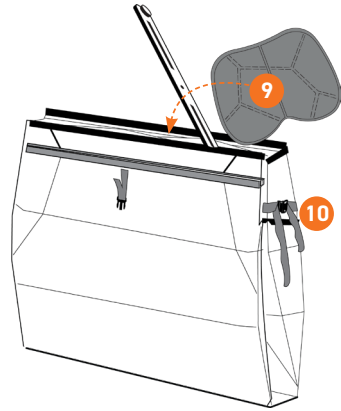
- 8** In a twisting motion, push the orange arrow towards the orange target, and the black arrow towards the black target until the box is formed.



TIP

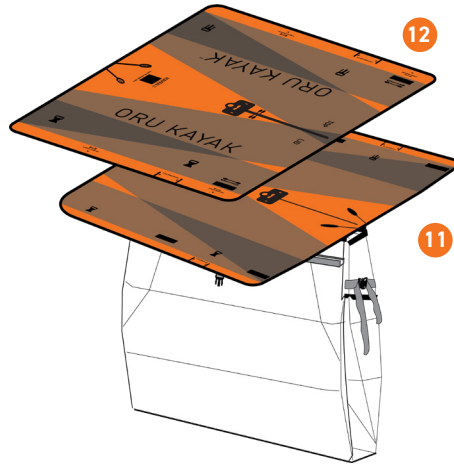
Go slowly to make sure the edges of the kayak do not snag.

Back on land: Folding your Oru Kayak into its box



9 Place the footrest and bulkhead into the folded boat, followed by the other loose components, such as the seat back.

10 Fully tighten the gray box closure straps.



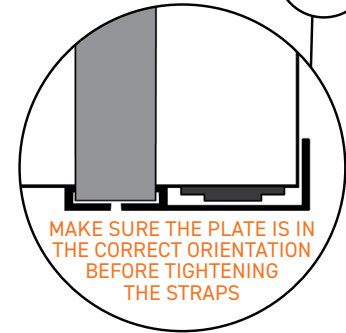
11 Place the stern floorboard (has two column plates) on top of the box with the print facing up.

12 Place the floorboard with the Oru Kayak logo on top of the stern floorboard

TIP

Go slowly to make sure the buckles are sitting flat allowing the carry straps to tighten properly.

- 13 A** Place the shoulder strap plate under kayak box.
B Attach the shoulder strap assemble around the boat and tighten.



WE ARE HERE TO HELP

For product or assembly
questions contact us:

service@orukayak.com
(415) 630-3717

ORU  KAYAK



