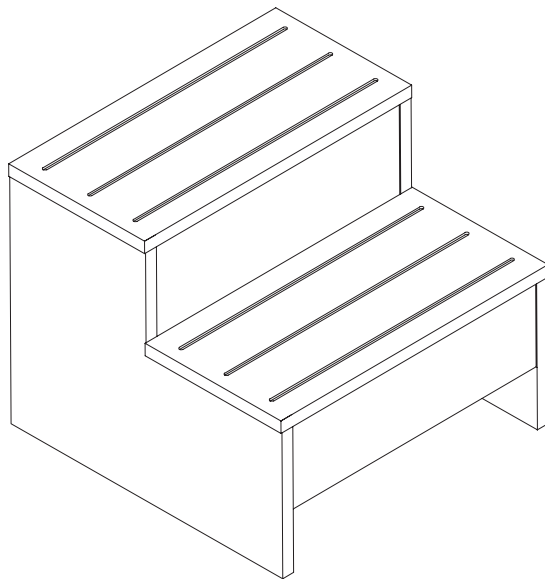




gltc.co.uk

Children's Step Stool

L4911



Assembly Difficulty



easy - medium - hard



one-person job

VI

03/06/2021

Thank you for shopping with GLTC, we hope you enjoy having this product in your home.

We know assembling furniture, toys or accessories is not everyone's favourite way to spend their time, so we've tried to make assembling this item as quick and painless as possible.

A few important pointers before you start:

- Please read the instructions right through before you start, and check that all the components have been included in the pack; we find separating all the hardware into piles makes it easier to be sure that everything is present and correct.
- Make sure you have the right tools. Allen keys are provided if required, but screw drivers and other tools are not. You'll find details of the tools you need at the beginning of the instructions.
- It's a good idea to build the unit in the room where you are going to be using it, to avoid the need to move it after it's been assembled.
- Do not throw away any packing materials until assembly is complete, just in case you accidentally discard smaller parts or hardware.

Safety Warnings:

- Adult assembly required.
- Product should be moved by an adult.
- Adult supervision may be required for young children to reduce the chance of slips, trips or falls while using the step stool.
- If dropped, the product may break producing small parts which pose a choking hazard.
- Unassembled product contains small parts which may present a choking hazard.
- Children should be kept away from the product during assembly to avoid any possible risk of injury.
- This product is suitable for children in the age range of 2 to 5 years.
- Maximum weight load 50Kg. Do not overload.
- Assemble and use on a flat level surface.
- DO NOT use power tools in the assembly of this product as there is a risk of over-tightening and consequently splitting of the wood.
- Check all fixtures and fittings regularly and tighten as necessary.
- DO NOT use this item if any components are missing or damaged.
- Please retain these instructions for future reference.

Customer Service:

- If you find that any components are missing or damaged, please do not begin assembly and do not use the item. Please contact GLTC Customer Services on **0344 848 6000** immediately.
- We do stock spare hardware packs at our warehouse, so we should be able to send you a replacement pack immediately if required.

Product Care:

- Wipe clean using a soft damp cloth followed by a dry cloth.
- Do NOT use cleaning products which contain ammonia, solvents or abrasive material.
- Do NOT expose the item to extremes of heat and humidity.
- Made in China.

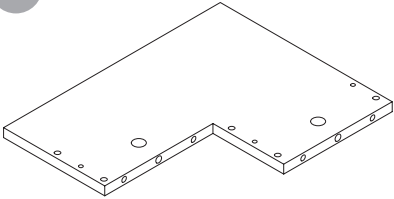
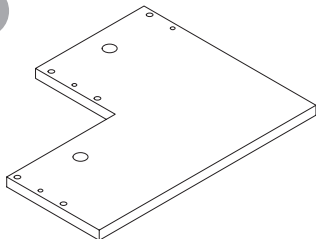
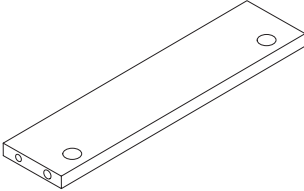
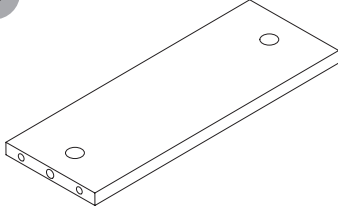
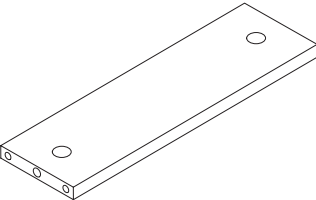
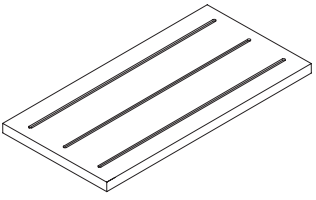
Could we do better?



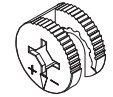
If there is anything you think could be improved in these instructions or in the assembly of this product we'd be grateful if you could let us know; we'll pass any helpful hints and tips on to other customers via our website and update the instructions.

All you need to do is drop us a line at [**instructions@gltc.co.uk**](mailto:instructions@gltc.co.uk)

Thank you

Component Check List

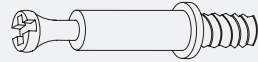
<p>A</p>  <p>1x</p>	<p>B</p>  <p>1x</p>
<p>C</p>  <p>1x</p>	<p>D</p>  <p>1x</p>
<p>E</p>  <p>1x</p>	<p>F</p>  <p>2x</p>

<p>#1</p>  <p>10x Cam Dowels</p>	<p>#2</p>  <p>18x Wooden Dowels</p>
<p>#3</p>  <p>10x Cam Locks</p>	

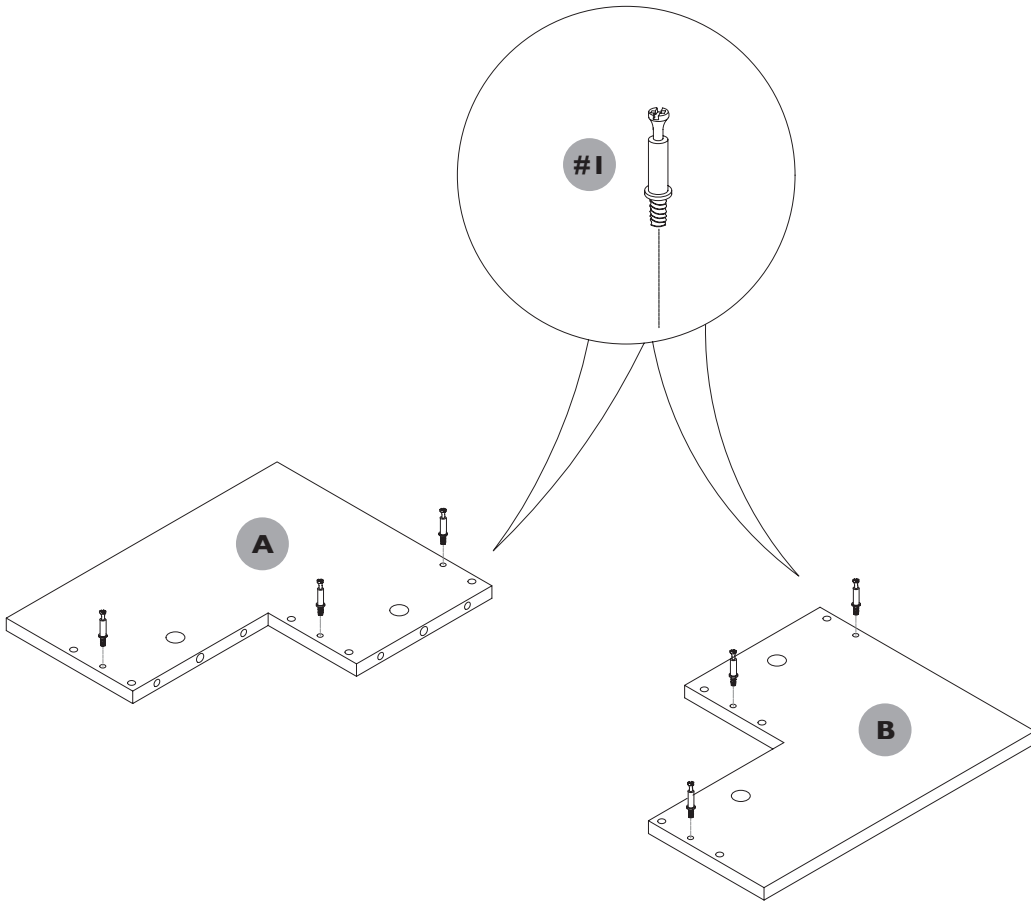
STEP 1:

Insert x6 cam dowels (#1) into panels A and B.

Hardware for Step 1:



x6 #1 Cam Dowels

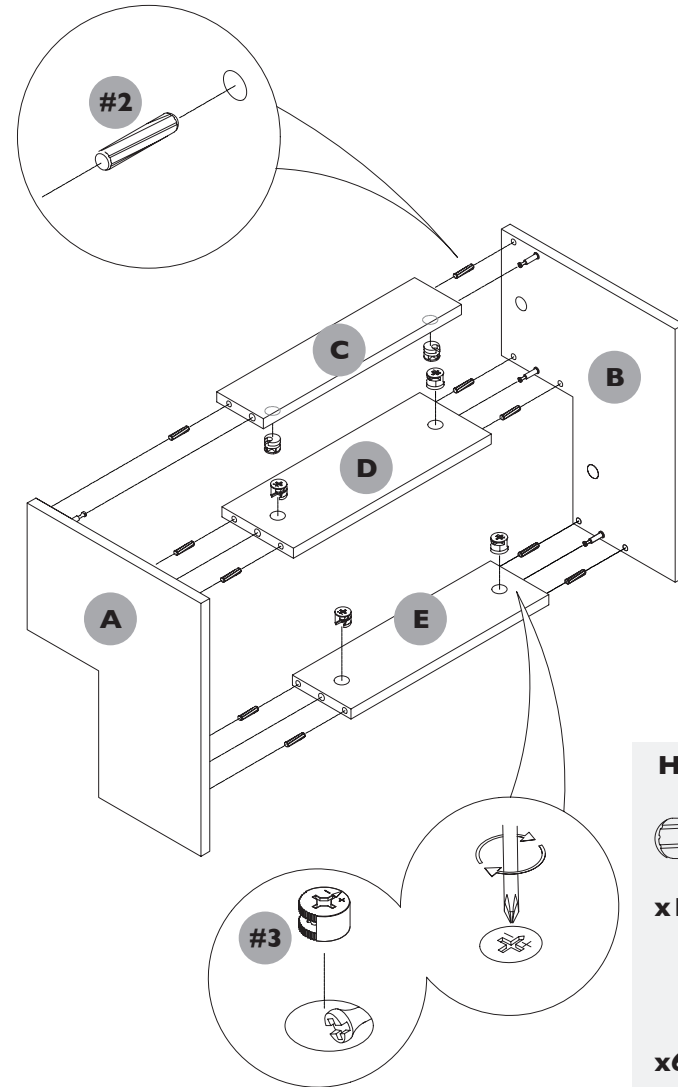


STEP 2:

Insert x10 wooden dowels (#2) into panels C, D and E.

Insert x6 cam locks (#3) into panels C, D and E.

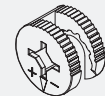
Attach panels A and B to panels C, D and E, locking cam locks to secure.



Hardware for Step 2:



x10 #2 Wooden Dowels

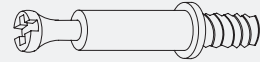


x6 #3 Cam Locks

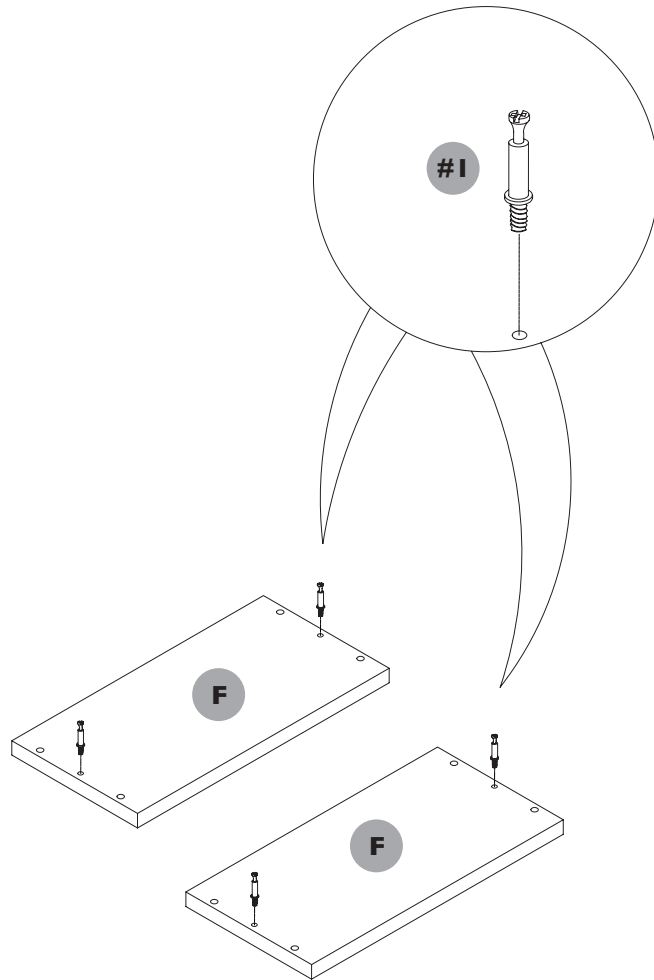
STEP 3:

Insert x2 cam dowels (#1) into the reverse of each panel F.

Hardware for Step 3:



x4 #1 Cam Dowels



STEP 4:

Insert x8 wooden dowels (#2) into x2 panels F.
Attach x2 panels F onto A and B by locking in x4 cam locks (#3).

Hardware for Step 4:



x8 #2 Wooden Dowels



x4 #3 Cam Locks

