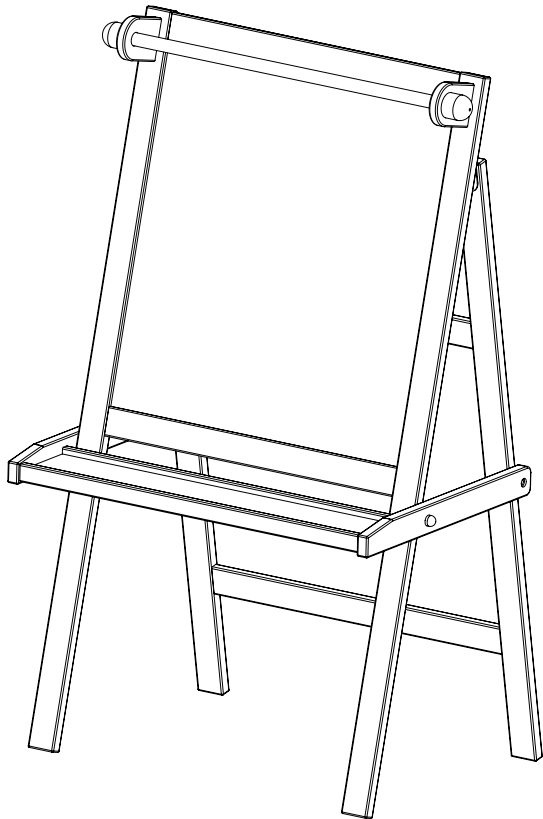




www.gltc.co.uk

Art Easel L4702



Assembly Difficulty



easy - medium - hard



one-person job

V3

23/03/2021

Thank you for shopping with GLTC, we hope you enjoy having this product in your home.

We know assembling furniture, toys or accessories is not everyone's favourite way to spend their time, so we've tried to make assembling this item as quick and painless as possible.

Hopefully our efforts will have been worthwhile and you'll sail through the whole process. But if it all feels a bit too much like hard work, then we do have an assembly company we can recommend: the Flatpack Construction Company offers a nationwide service and can be contacted on **0843 289 4951** or **www.flatpackconstruction.co.uk**.

A few important pointers before you start:

- Please read the instructions right through before you start, and check that all the components have been included in the pack; we find separating all the hardware into piles makes it easier to be sure that everything is present and correct.
- Make sure you have the right tools. Allen keys are provided if required, but screw drivers and other tools are not. You'll find details of the tools you need at the beginning of the instructions.
- Do not throw away any packing materials until assembly is complete, just in case you accidentally discard smaller parts or hardware.

Safety Warnings:

- Please read these instructions carefully before assembly.
- Adult required for assembly, to fold, unfold and to load or change the paper reel.
- Unassembled product contains small parts which may present a choking hazard.
- Not suitable for children under 3 years due to small parts that may become detached and present a choking hazard.
- Children should be kept away from the product during assembly to avoid any possible risk of injury.
- Assemble and use on a flat and level surface.
- To avoid possible injury, DO NOT allow children to climb/stand on the product.
- DO NOT use power tools in the assembly of this product as there is a risk of over-tightening and consequently splitting of the wood.
- Check item regularly for signs of damage which may make the product unsafe.
- Check all fixtures and fittings regularly and tighten as necessary.
- Complies to the European Toy Safety Directive.
- DO NOT use this item if any components are missing or damaged.
- Please ensure the wooden peg is securely in place before allowing children to use the easel.
- Remove all packaging before giving to your child.
- Please retain these instructions for future reference.

	Registered Address: GLTC Ltd, 12 Buckhold Road, Wandsworth, London, SW18 4GP, United Kingdom
	Authorised Representative: Authorised Representative Service, 77 Camden Street Lower, Dublin, D02 XE80, Ireland

Customer Service:

- If you find that any components are missing or damaged, please do not begin assembly and do not use the item. Please contact GLTC Customer Services on **0344 848 6000** immediately.
- We do stock spare hardware packs at our warehouse, so we should be able to send you a replacement pack immediately if required.

Product Care:

- Wipe clean using a soft damp cloth followed by a dry cloth.
- Do NOT use cleaning products which contain ammonia, solvents or abrasive material.
- Do NOT expose the item to extremes of heat and humidity.

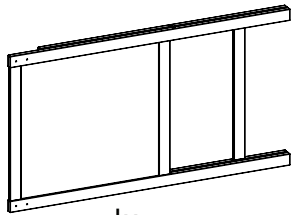
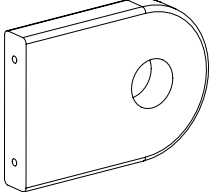
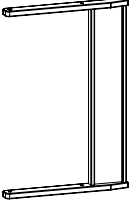
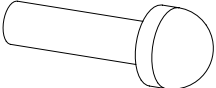
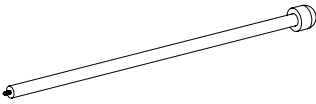
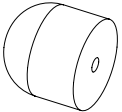
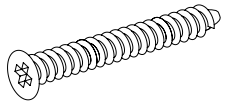
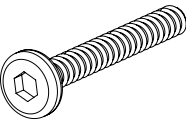

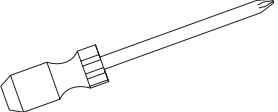
Could we do better?

If there is anything you think could be improved in these instructions or in the assembly of this product we'd be grateful if you could let us know; we'll pass any helpful hints and tips on to other customers via our website and update the instructions.

All you need to do is drop us a line at instructions@gltc.co.uk

Thank you

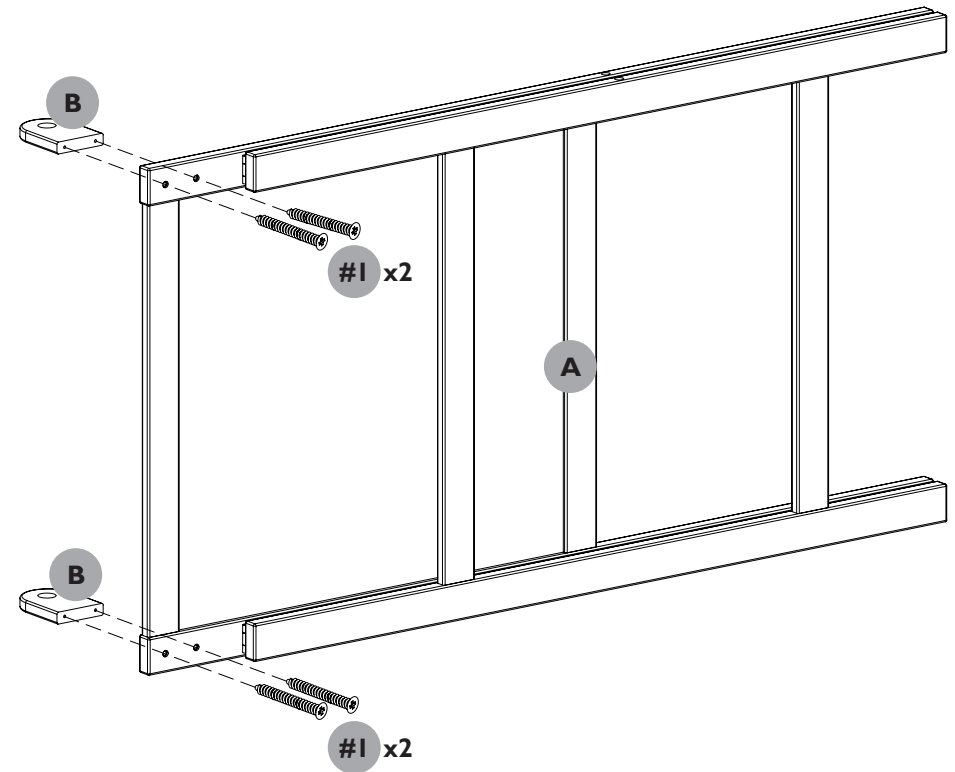
Component Check List

<p>A</p>  <p>1x</p>	<p>B</p>  <p>2x</p>
<p>C</p>  <p>1x</p>	<p>D</p>  <p>2x</p>
<p>E</p>  <p>1x</p>	<p>F</p>  <p>1x</p>
<p>#1</p>  <p>4x screws 32mmL</p>	<p>#2</p>  <p>2x bolts 38mmL</p>
<p>#3</p>  <p>1x Allen Key</p>	<p>You will need (not supplied)</p>  <p>Phillips Head Screwdriver</p>

STEP 1:

Attach 2x brackets (B) to frame (A) using 4x screws (#1).

Using Philips head screwdriver.



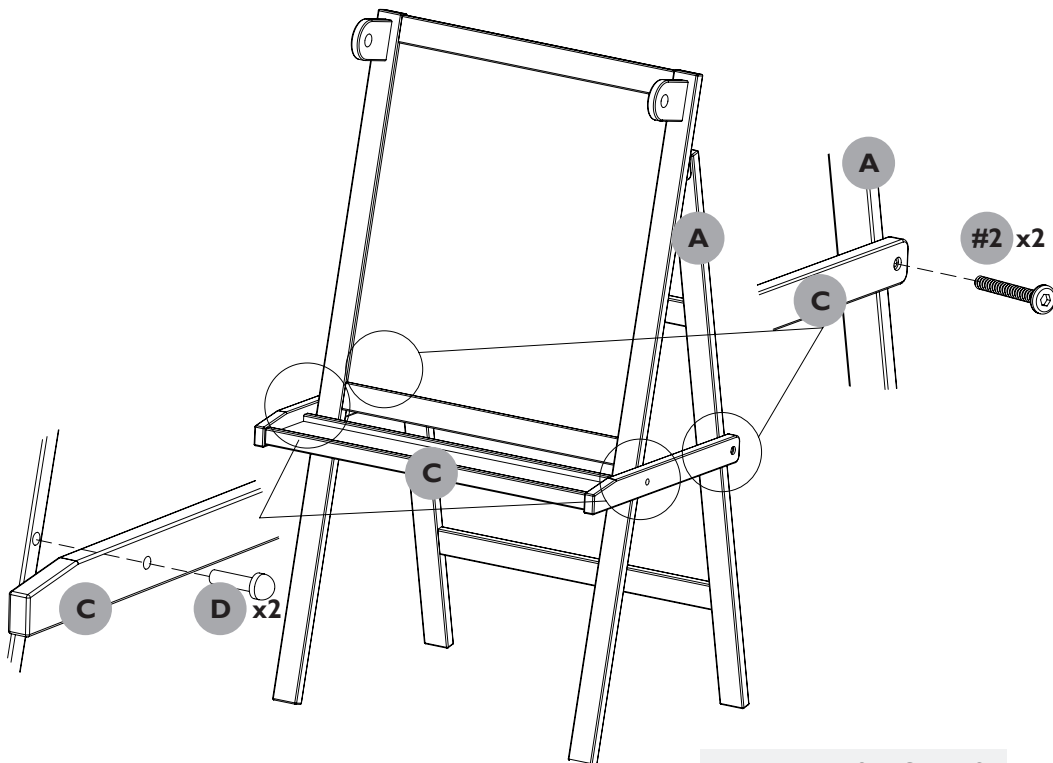
Hardware for Step 1:



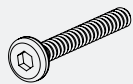
4x #1 32mmL screw

STEP 2:

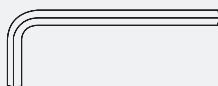
Attach ledge panel (C) to back of frame (A) using 2x bolts (#2). Using allen key.
Secure the front of ledge panel (C) to the front of frame (A) using 2x pegs (D).



Hardware for Step 2:



2x #2 38mmL bolts

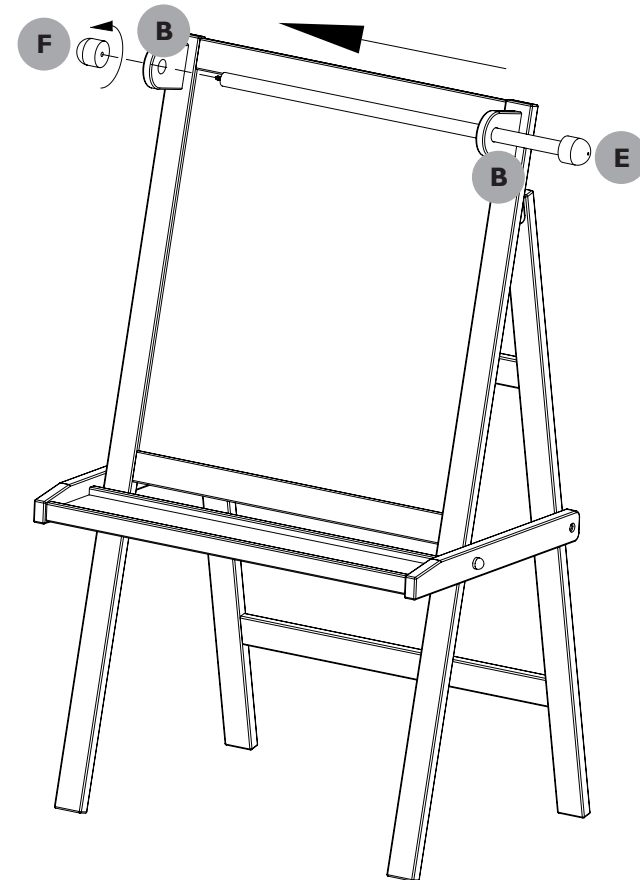


1x Allen key

STEP 3:

Insert rod (E) into the bracket (B). Push it all the way through so it goes all the way through the other bracket.

Secure the rod using end cap (F).



With the rod secured, the assembly is now complete.