

Large Parallette Assembly Instructions

Materials and Hardware:

- (A): [4] 1.5" black #8 screws
- (B): [4] end plates
- (C): [2] dowels, 20"

Tools Required:

- Electric Drill/Impact with Phillips Bit
- Wood Glue

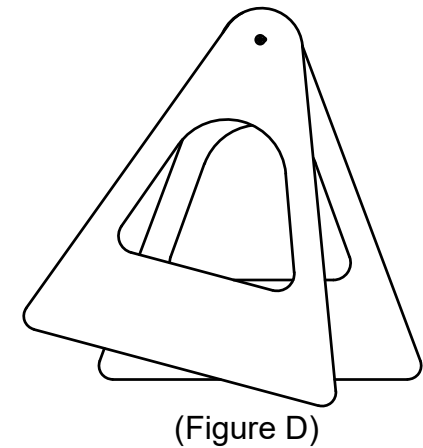
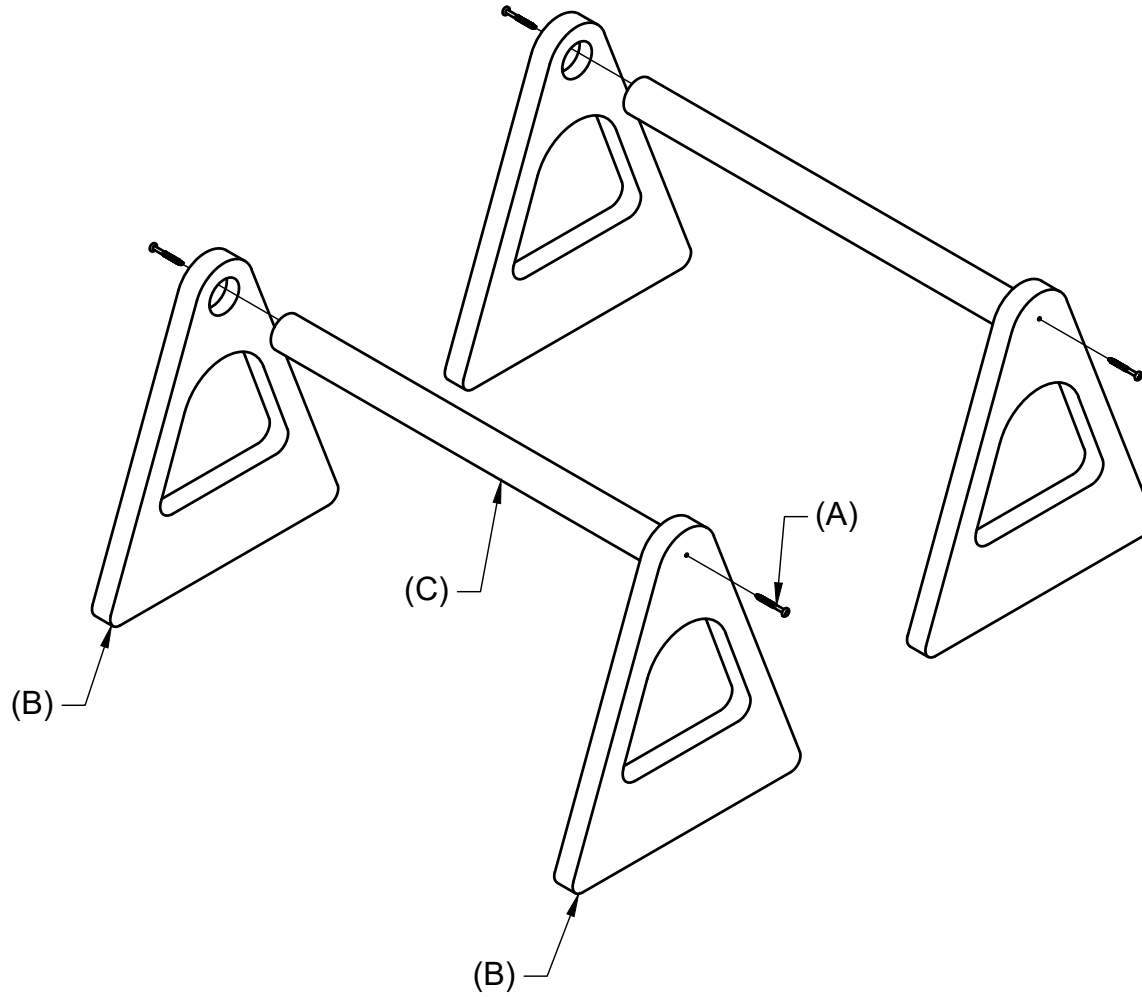
Step 1: Place (B) end plate on ground with hole facing up and insert small amount of wood glue.

Step 2: Insert (C) dowel into hole, insert second (B) end plate into the dowel, and screw (A) on one side.

Step 3: Place parallettes upright and apply pressure to ensure end plates are level with the ground.

(Figure D) represents when end plates are not level.

Step 4: Insert (A) screws into the remaining endplates.



At Beyond Balance customer service is our top priority. If at any time you have any questions, comments or concerns please reach out to us at: 281-813-9999 or info@beyond-balance.net

BEYOND
BALANCE

Follow and tag us at:



@GoBeyondBalance

Use of our products is at your own risk. By purchasing this product you are assuming all responsibility for your own safety. As with all exercise equipment, any misuse of this product can result in injury, and by purchasing this product you agree that you are liable for any action taken with the product. Buyer understands and agrees that the use of the goods purchased from Beyond Balance may be dangerous to human safety, may result in injury or death and present a risk of damage to property if not used properly. You must routinely inspect your equipment for any wear or tear which can occur after repeated use. We are not responsible for any mishaps, injuries or damages resulting from your use of our products. As with any training program or other physical activity performed on these items, there is a risk of injury and proper supervision is required. Purchaser assumes responsibility and acknowledgment of all risk factors. For more training and safety information, we recommend online information from qualified coaches, trainers, and therapist or bringing some of your equipment to your gym/coach/trainer/therapist.