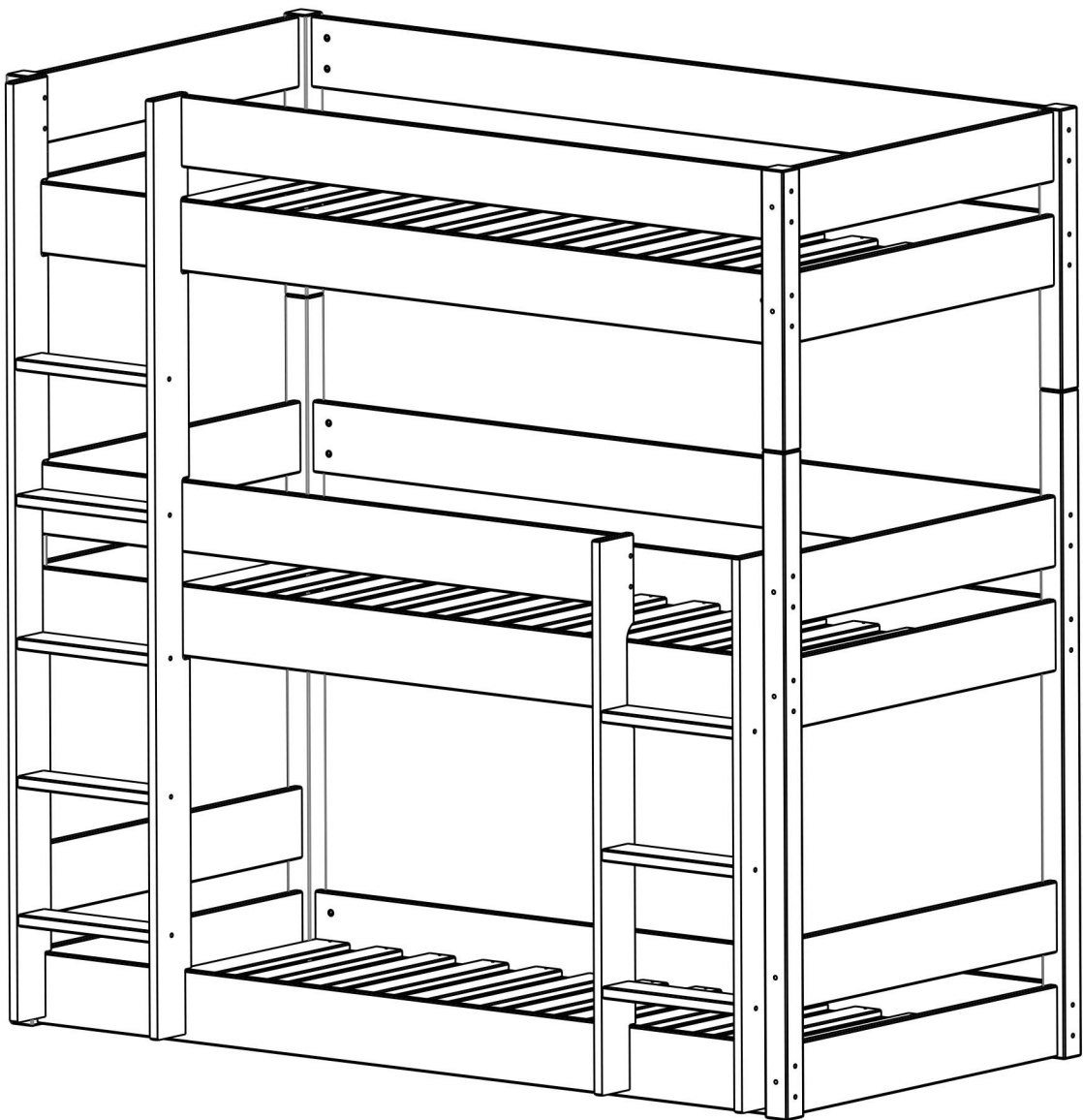


# Trio Triple Stacker Bunk

## Assembly Instructions

IMPORTANT - READ CAREFULLY - RETAIN  
FOR FUTURE REFERENCE



# Safety Advice

Please take the time to carefully read through the whole of these instructions before you commence.

Keep these instructions for future reference.

Unpack, inspect and check off all of the contents.

Please dispose of all packaging safely.

Small component parts could choke a child if swallowed.

We strongly recommend that you keep children well away from the work area.

It would be sensible to lay a sheet or blanket on the floor where you intend to work to avoid scratching this product and to protect your floor.

This product is heavy. Take extreme care when lifting to avoid personal injury or damage to the product.

Assemble the product as close to its intended final position in the room as possible.

**HANDY HINT:** If you keep the hardware in a bowl during assembly you will be less likely to lose them.

## IMPORTANT INFORMATION

**WARNING** – High Beds and the upper bed of bunk beds are not suitable for children under six years due to the risk of injury from falls.

**WARNING** – Bunk beds and high beds can present a serious risk of injury from strangulation if not used correctly. Never attach or hang items to any part of the bunk bed that are not designed to be used with the bed, for example, but not limited to ropes, strings, cords, hooks, belts and bags.

**WARNING** – Children can become trapped between the bed and the wall, a roof pitch, the ceiling, adjoining pieces of furniture (e.g. cupboards) and the like. To avoid risk of serious injury the distance between the top safety barrier and the adjoining structure shall not exceed 75mm or shall be more than 230mm.

**WARNING** – Do not use the bunk bed/high bed if any structural part is broken or missing.

It is recommended that you always follow the manufacturer's instructions to assemble this product.

Always follow the manufacturer's recommended mattress size, as per these instructions and the bunk bed / high bed maximum mattress height marking on the item:

Recommended Mattress Size: 91cm W x 190cm (UK Single) with Maximum Depth of 15.0cm

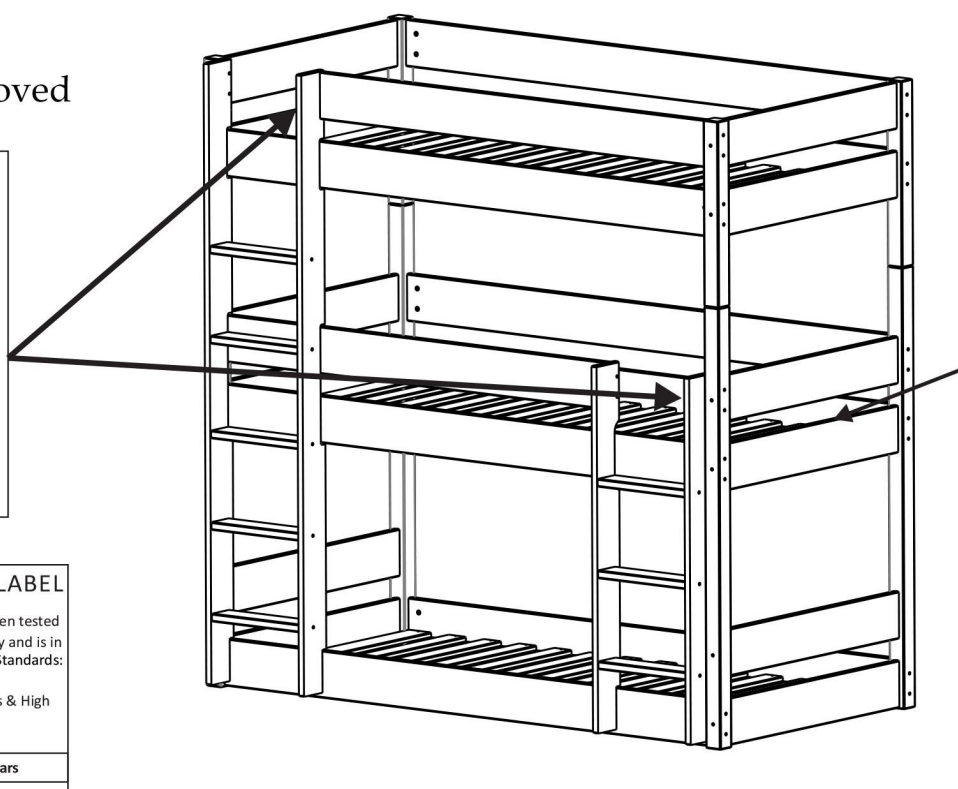
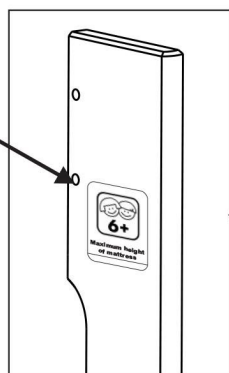
It is necessary to frequently ventilate the room in order to keep the humidity low and to prevent mould in and around the bed.

Please periodically check all the fixings of the item and re-tighten when necessary.

This item conforms to British and European Safety Standards:

BSEN747:2012 + A1:2015.

These labels are not to be removed

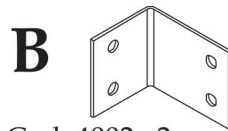


TRIO TRIPLE STACKER BUNK	CERTIFICATION LABEL
	This bunk bed model has been tested by an independent laboratory and is in British and European Safety Standards: BSEN747:2012 + A1:2015 Specification For Bunk Beds & High Beds
WARNING: This upper bed is not suitable for children under six years	
This Label Is Not To Be Removed	

# HARDWARE



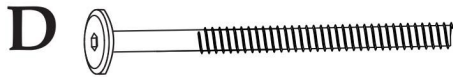
1/4 x 110mm x 36



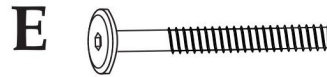
Cod. 4002 x2



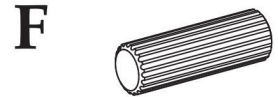
1/4 Nut x 36



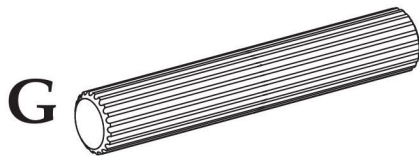
7 x 100mm x 24



7 x 60mm x 31



Wooden dowel x 100  
10 x 40mm



Wooden dowel x 04  
15 x 100mm



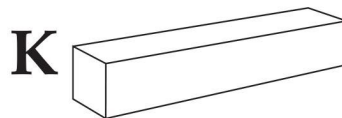
4 x 35mm Screw x 96



Allen key x 02



3/16 x 55mm x 04



Spacer 68mm x 02



Caps x 90

# PARTS

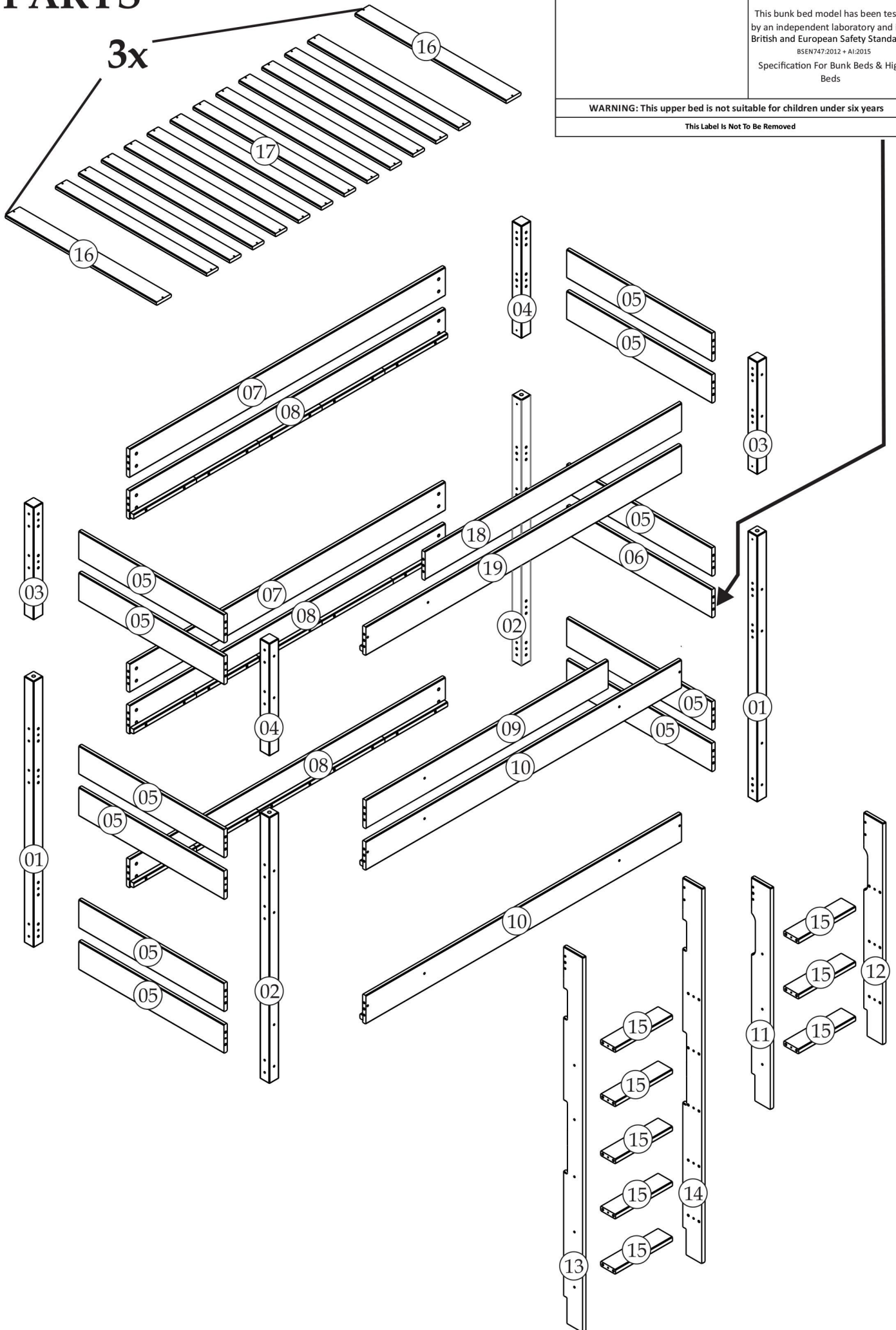
TRIO TRIPLE STACKER BUNK

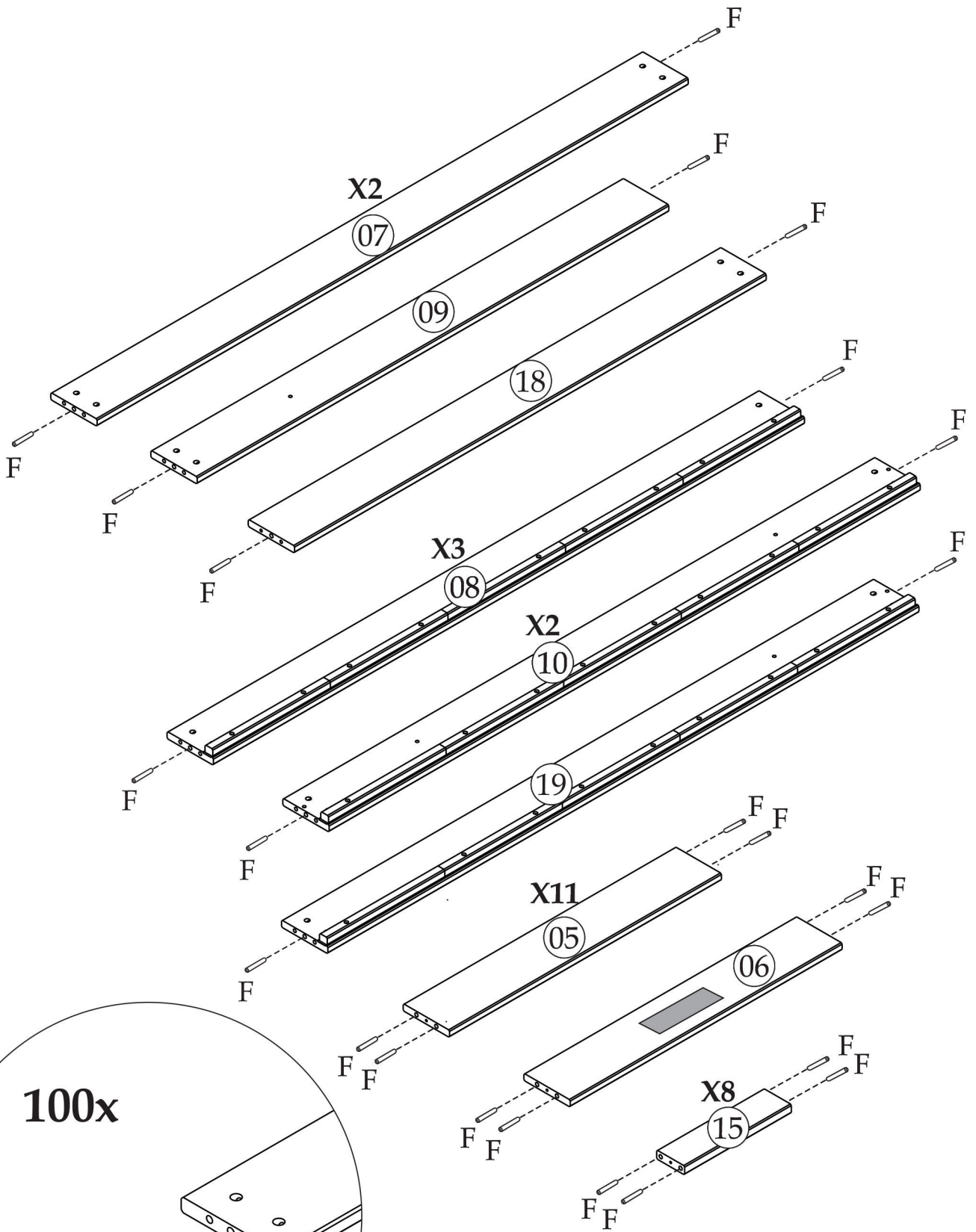
CERTIFICATION LABEL

This bunk bed model has been tested by an independent laboratory and is in British and European Safety Standards: BSEN747:2012 + A1:2015 Specification For Bunk Beds & High Beds

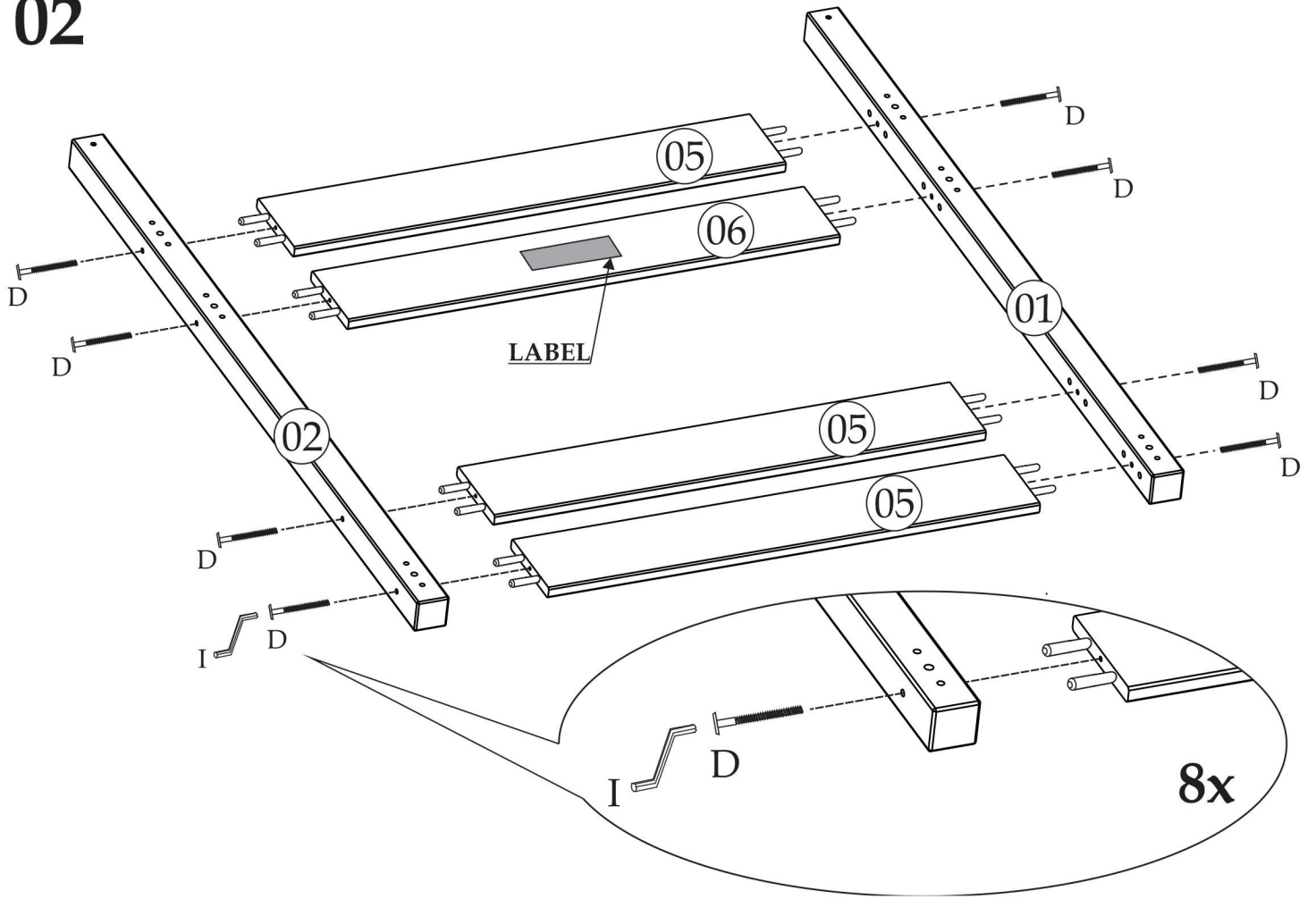
WARNING: This upper bed is not suitable for children under six years

This Label Is Not To Be Removed

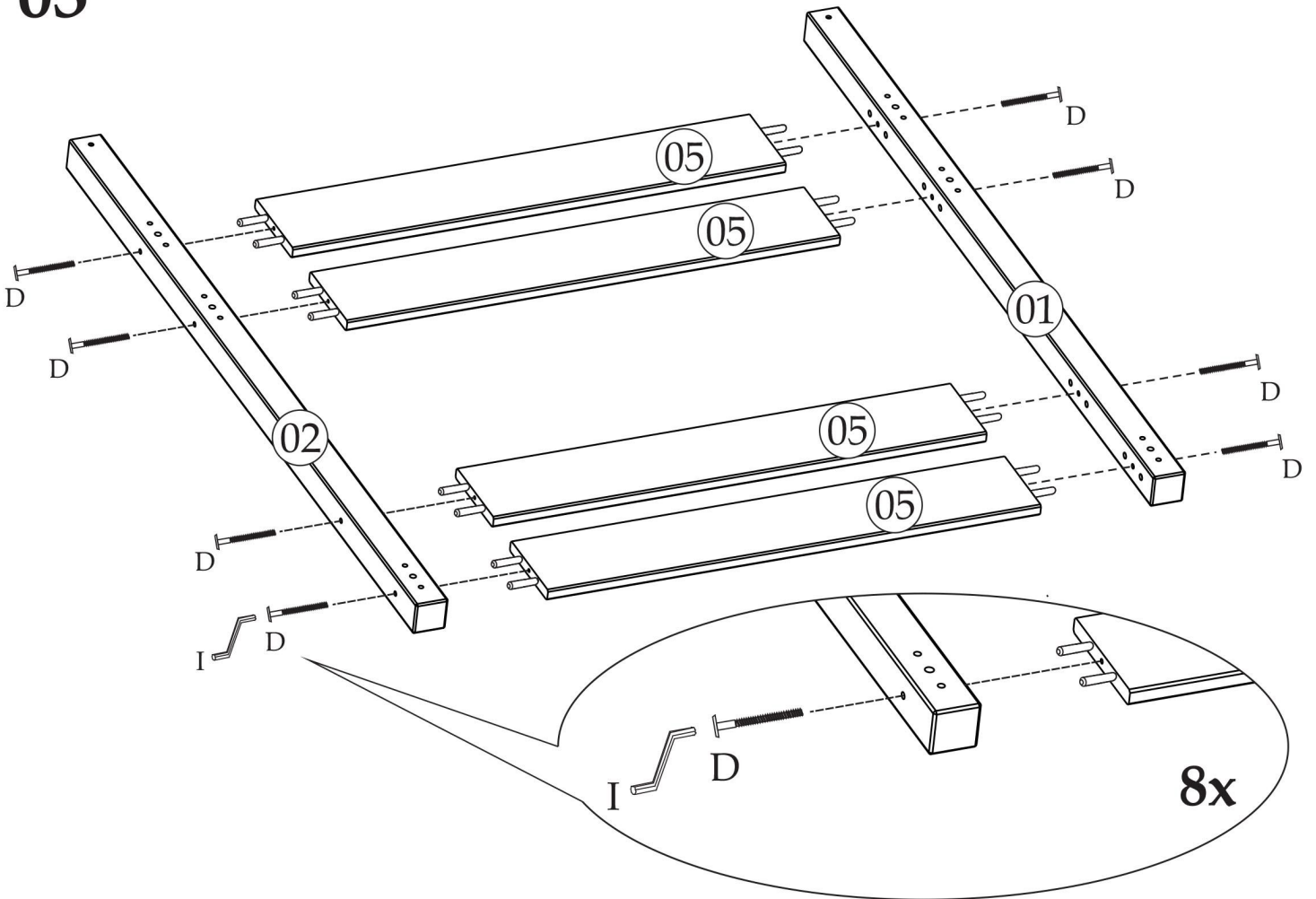




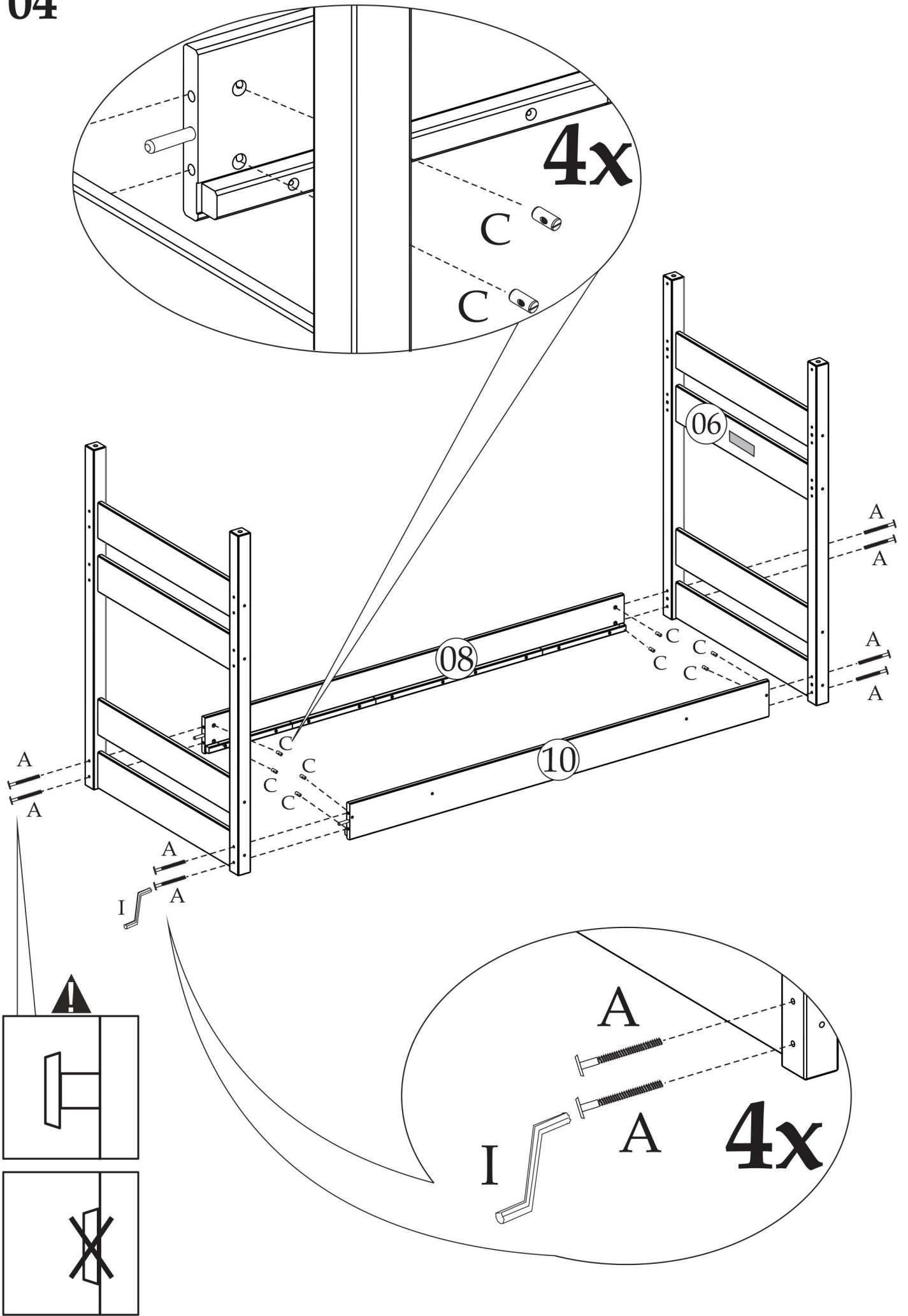
# 02



# 03

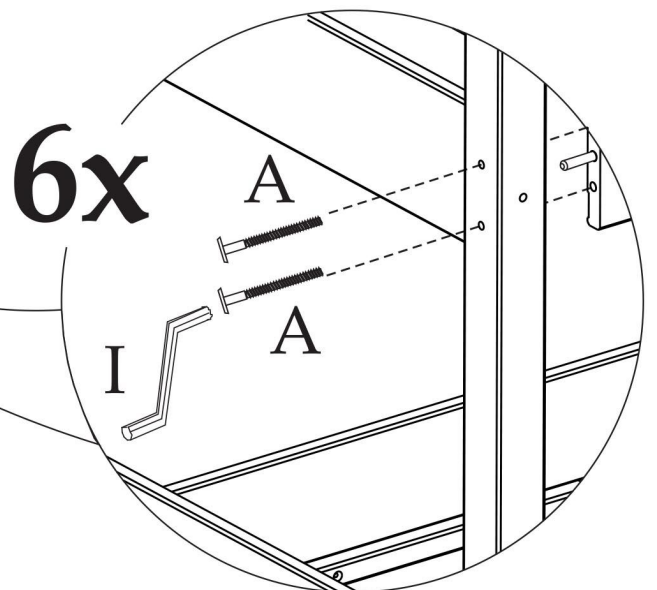
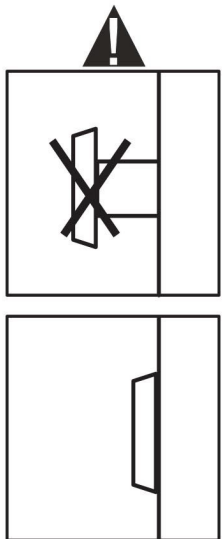
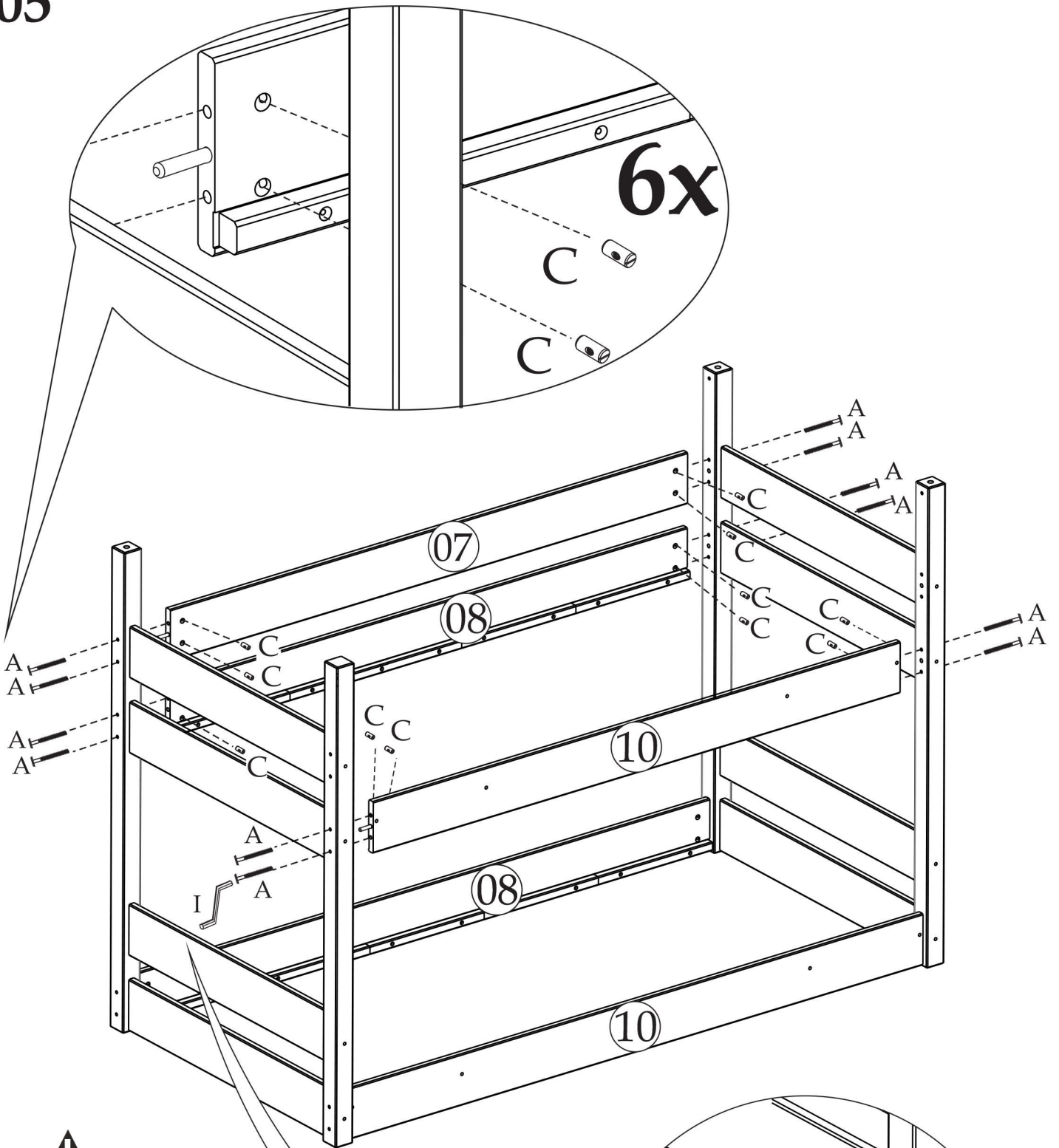


04



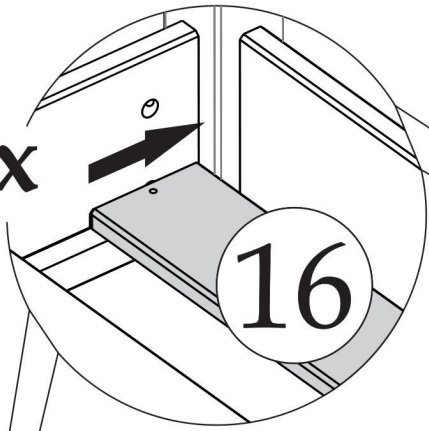


05



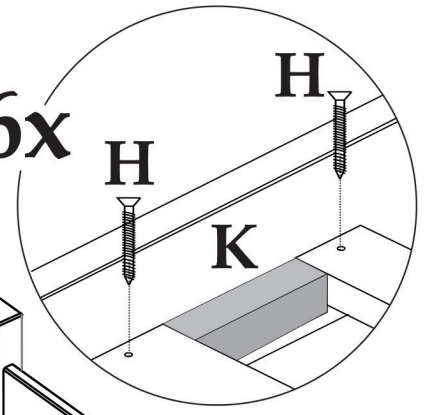
06

4x



16

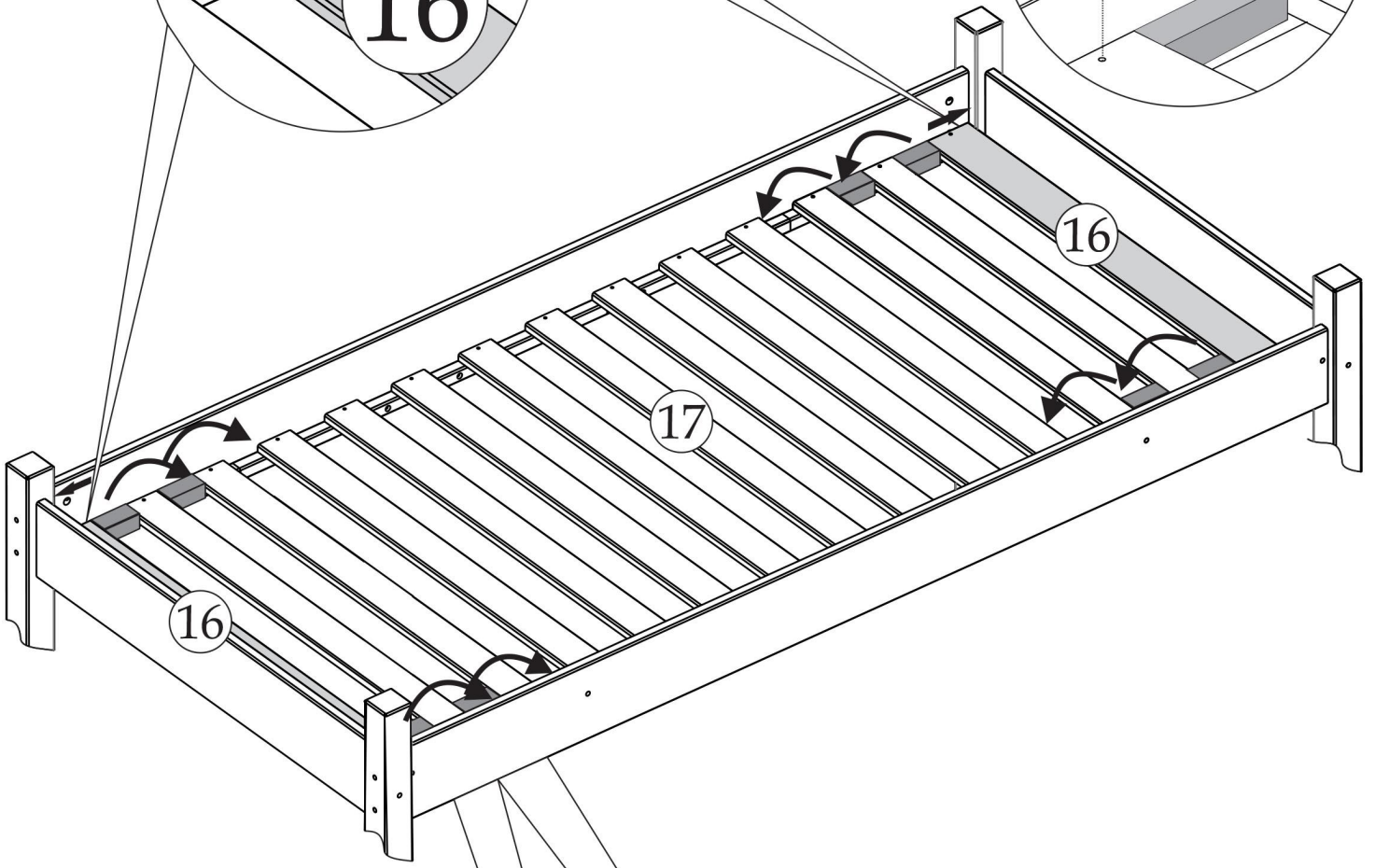
56x



H

H

K



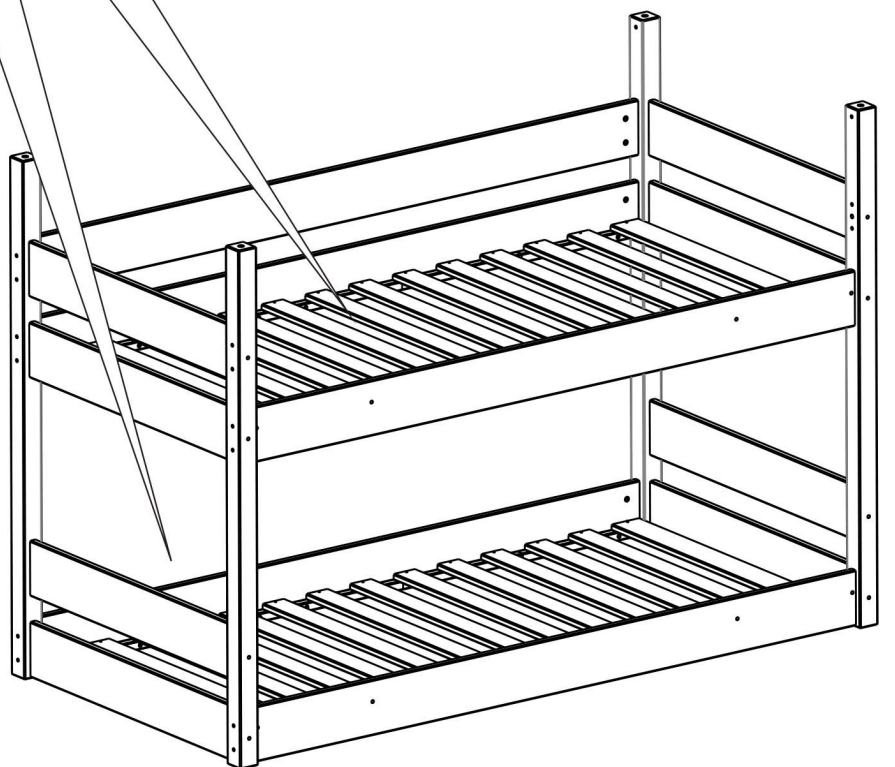
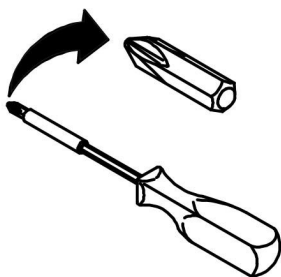
16

17

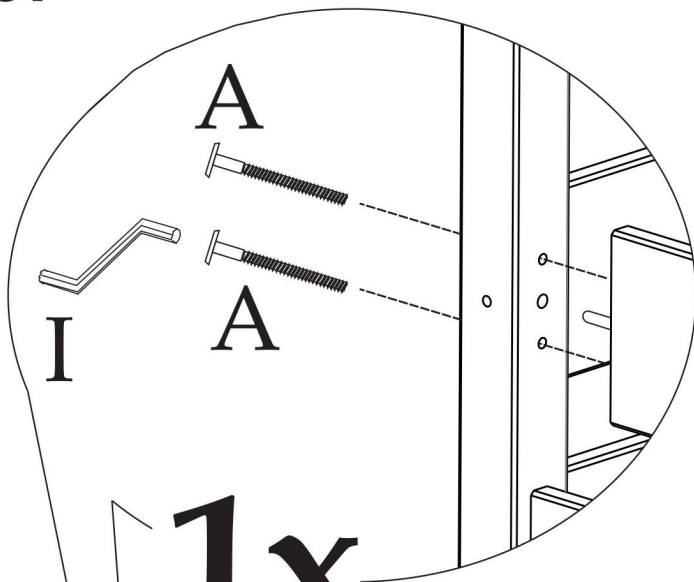
16



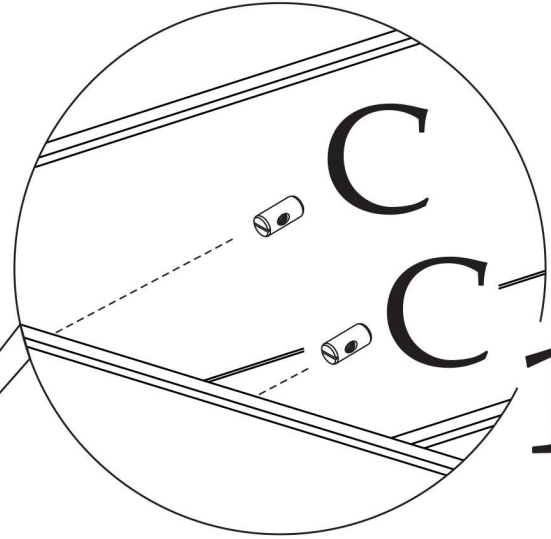
Do Not Use Power Tools



07

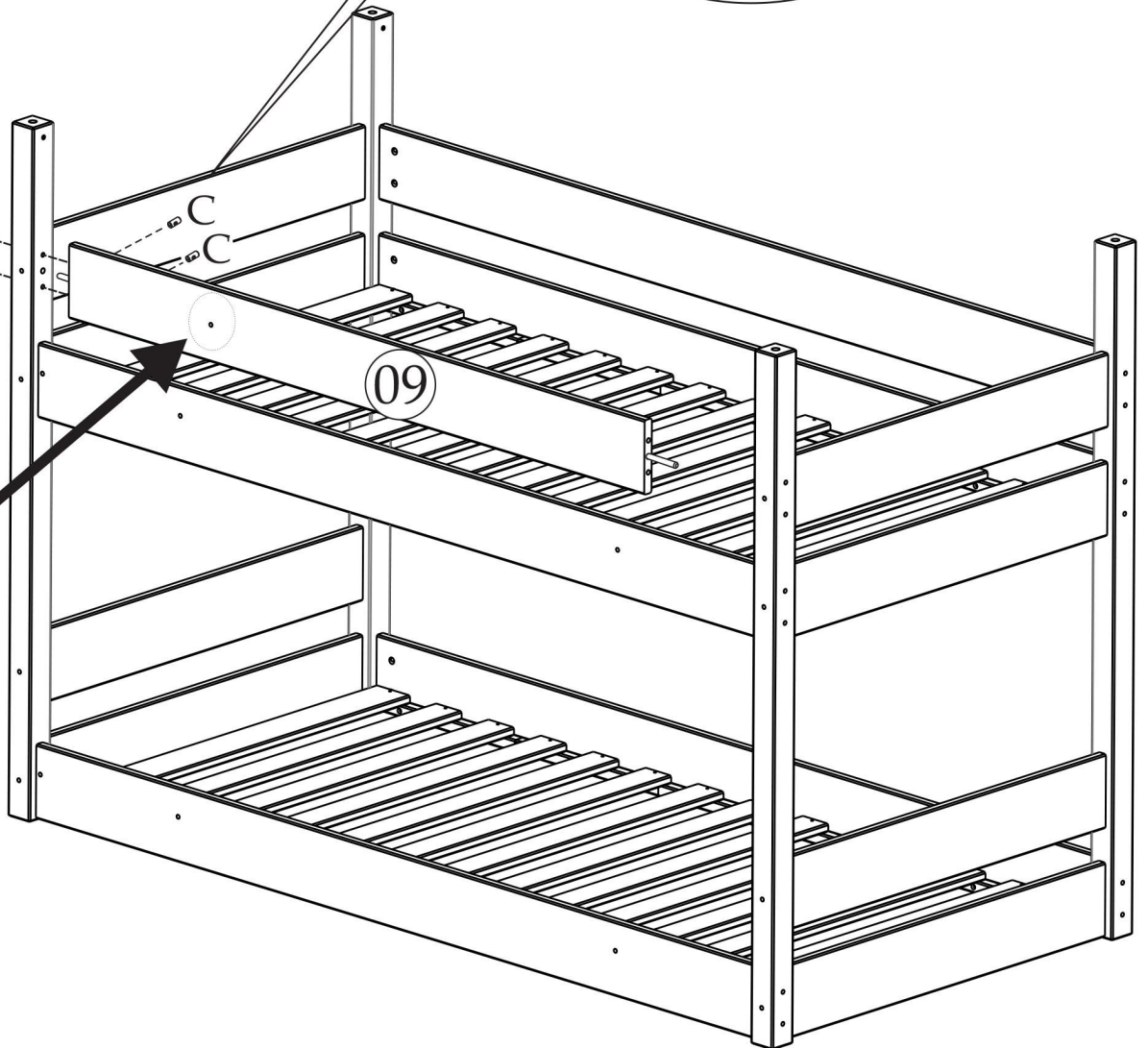


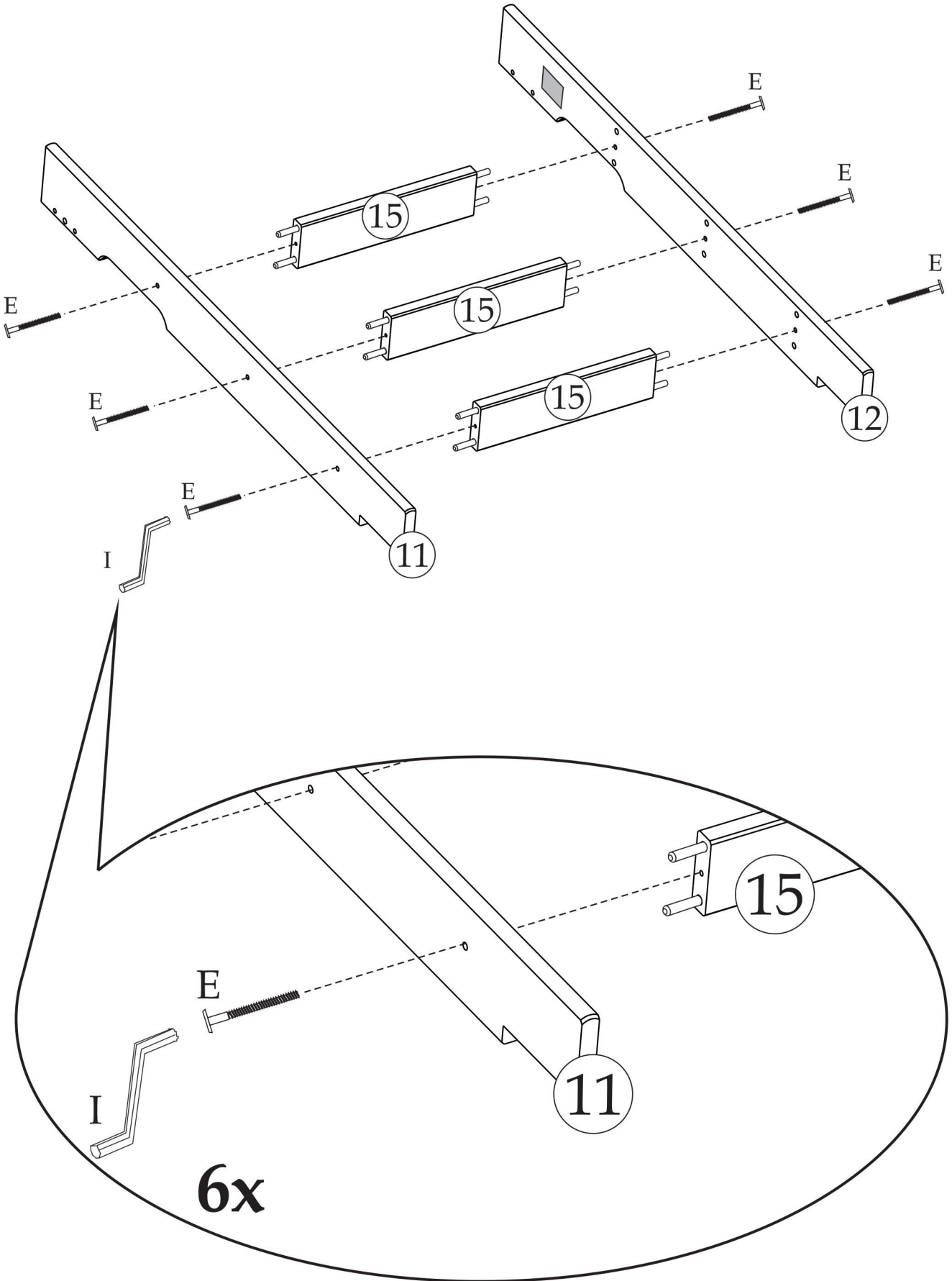
1x



1x

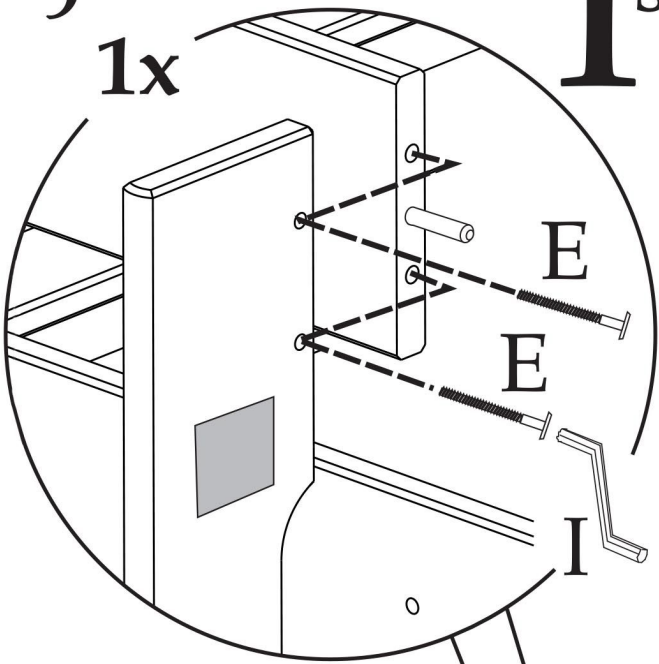
HOLE



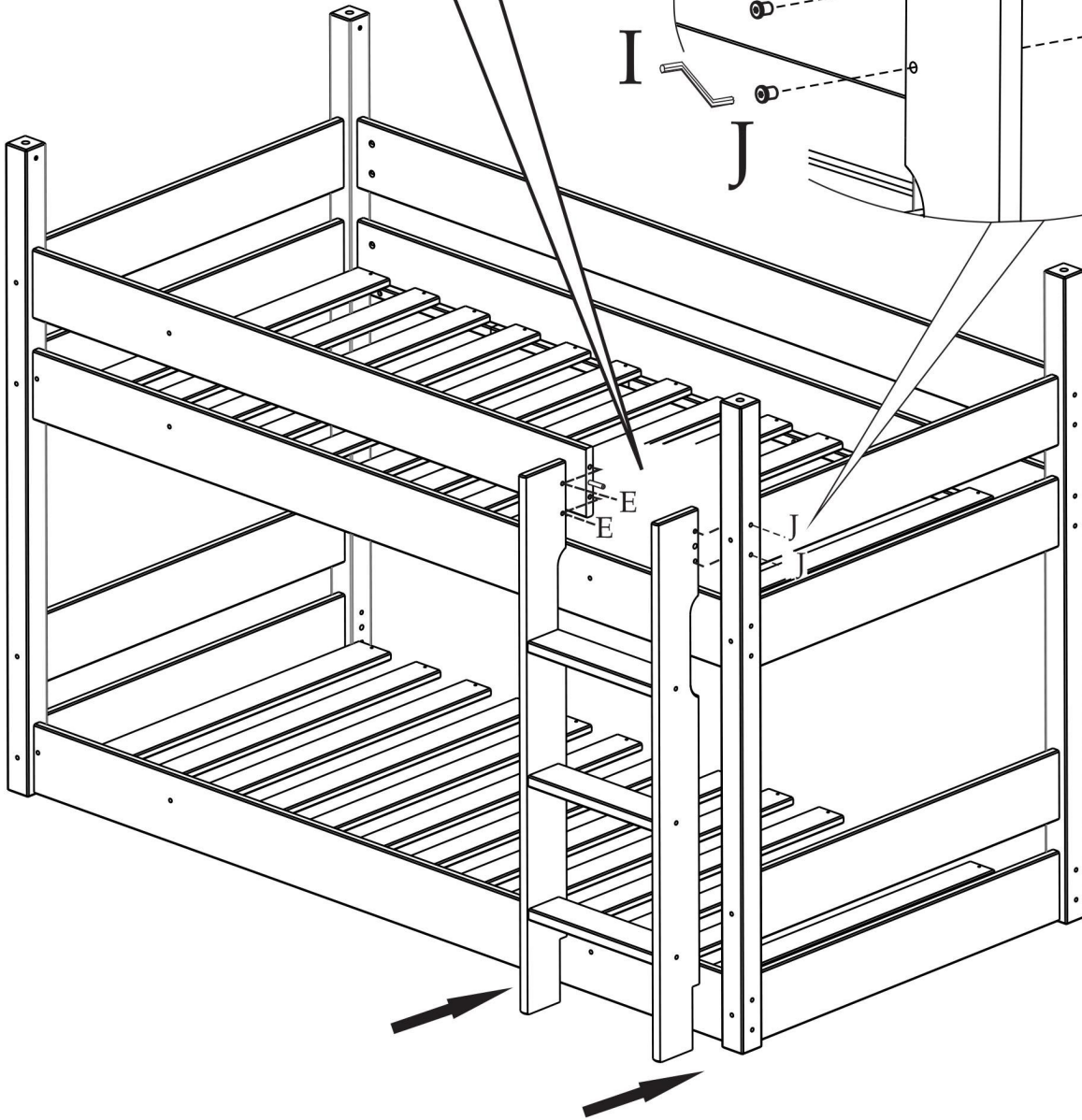
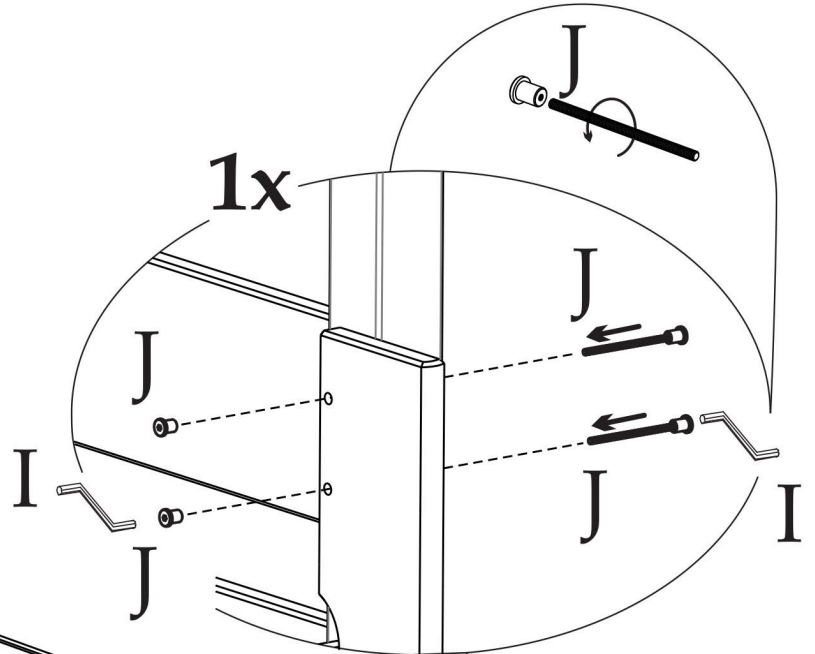


9

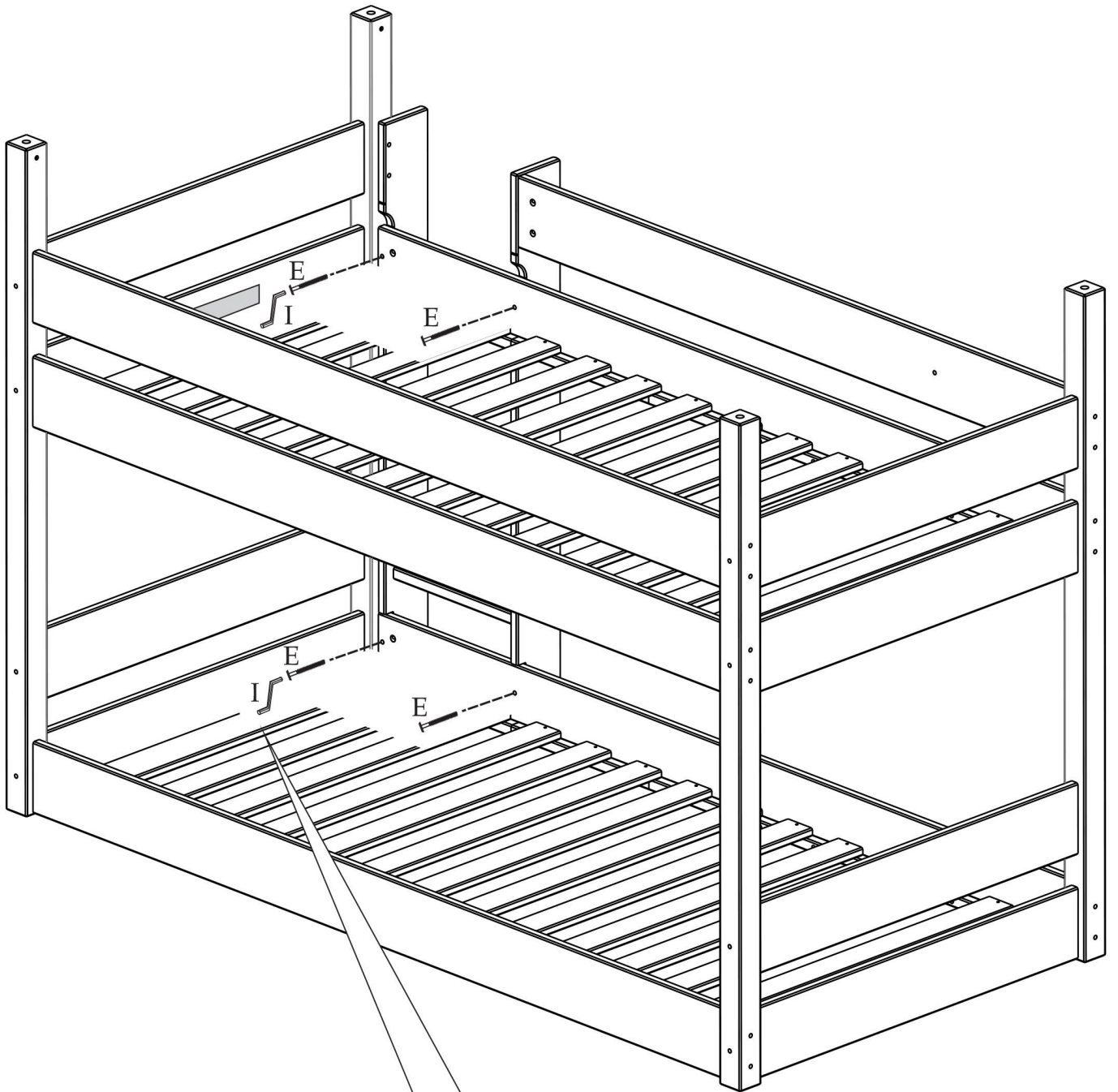
1<sup>st</sup>



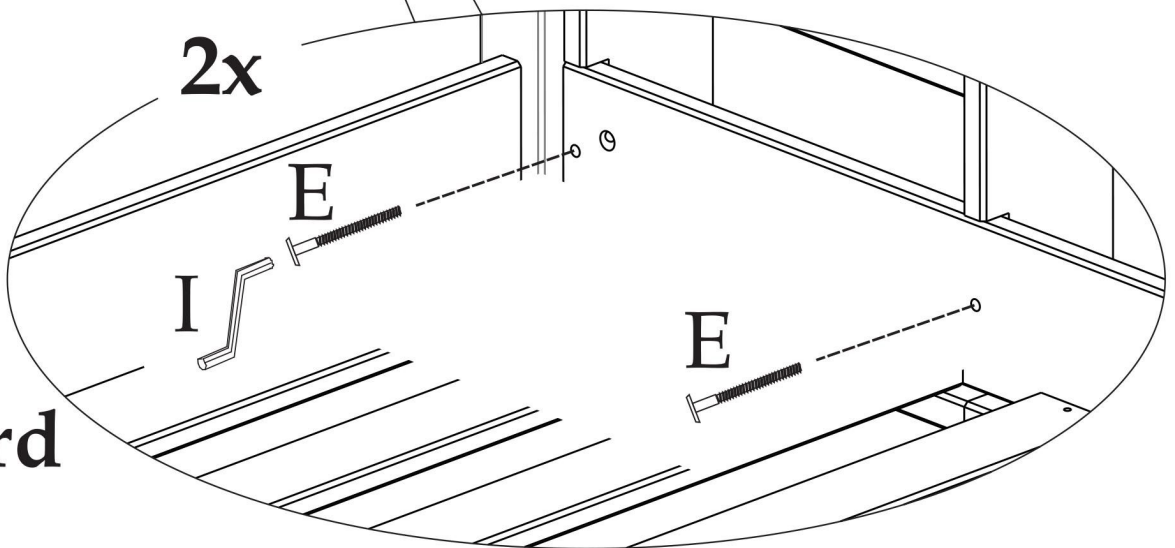
2<sup>nd</sup>



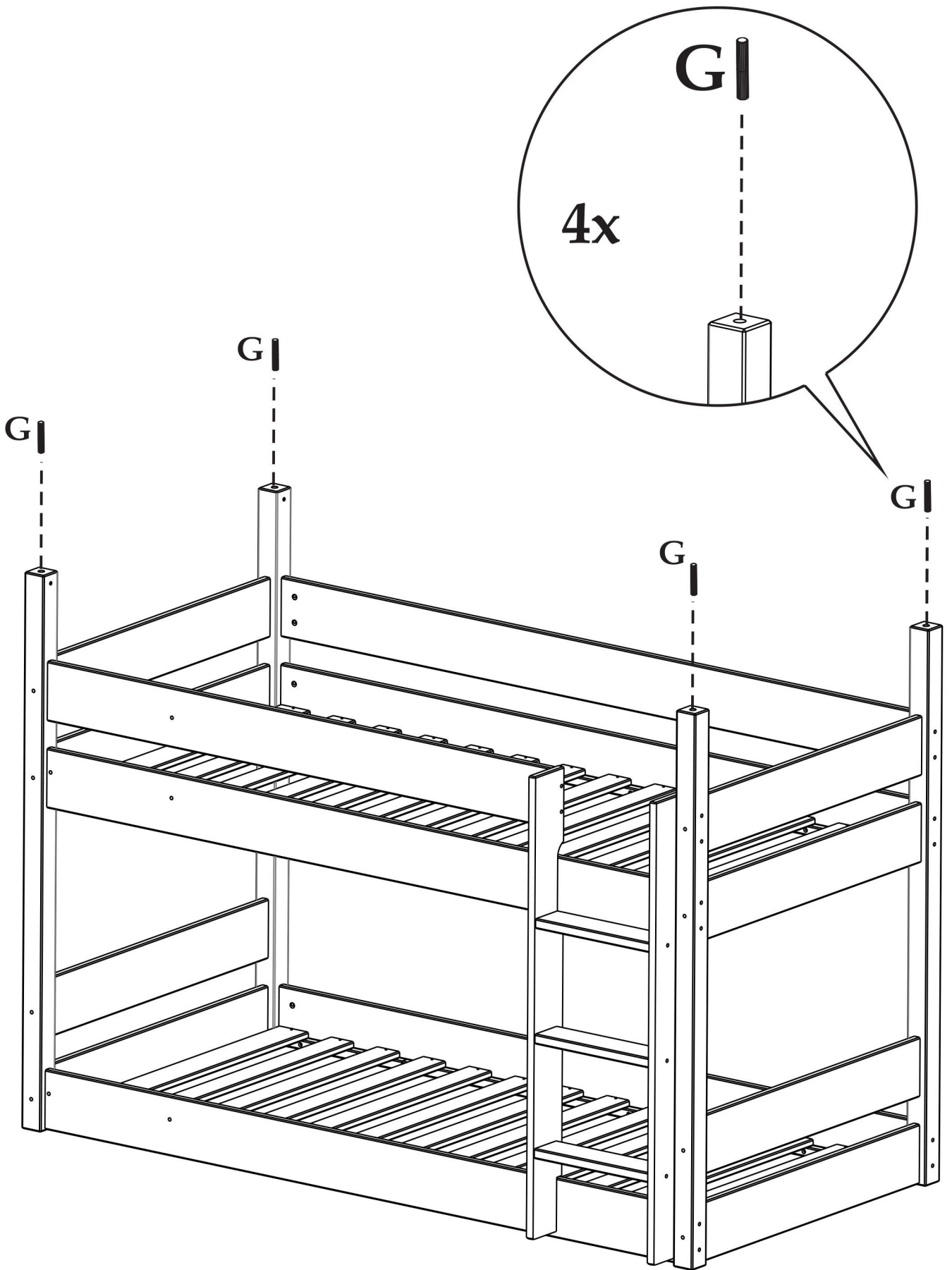
10

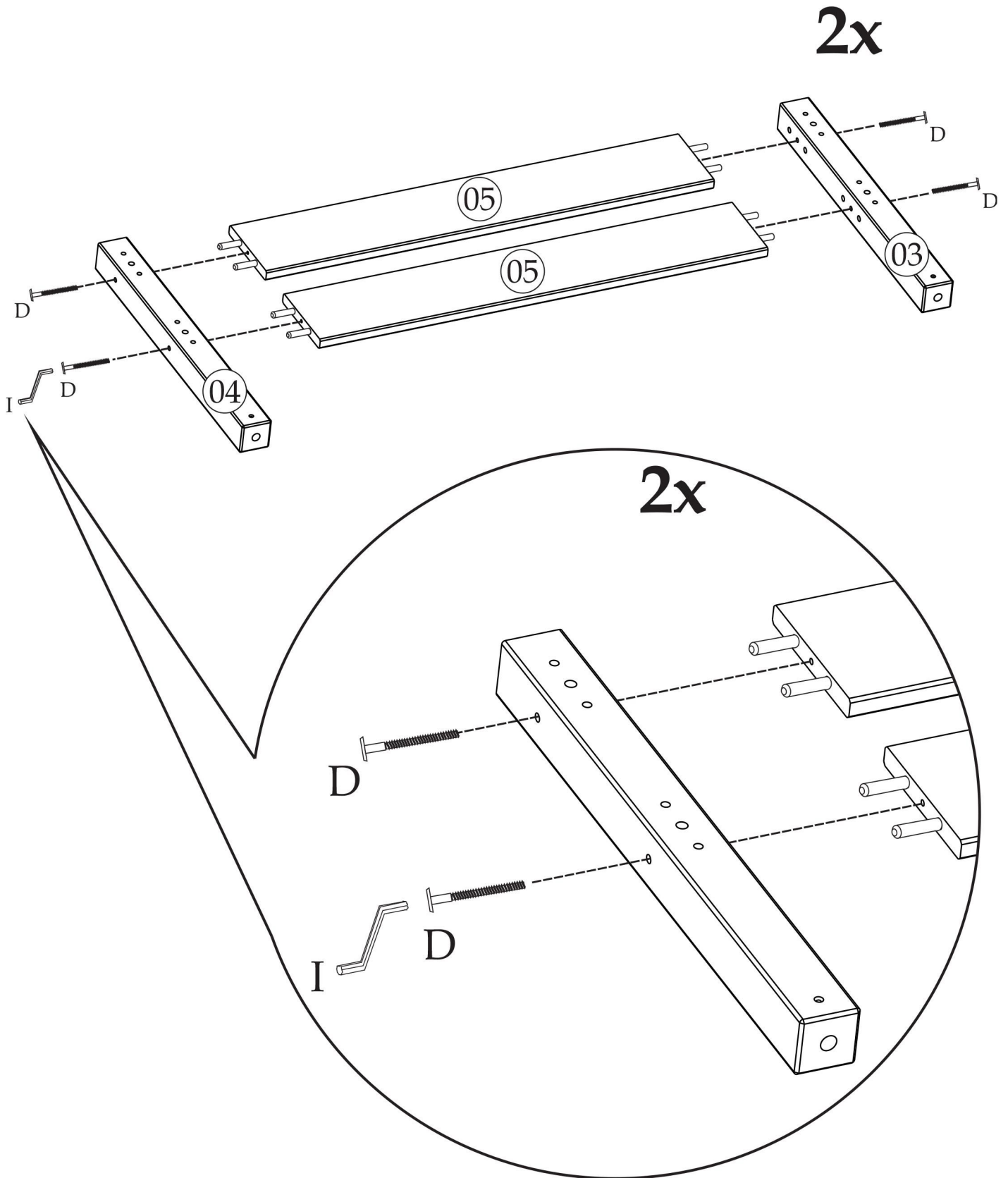


2x

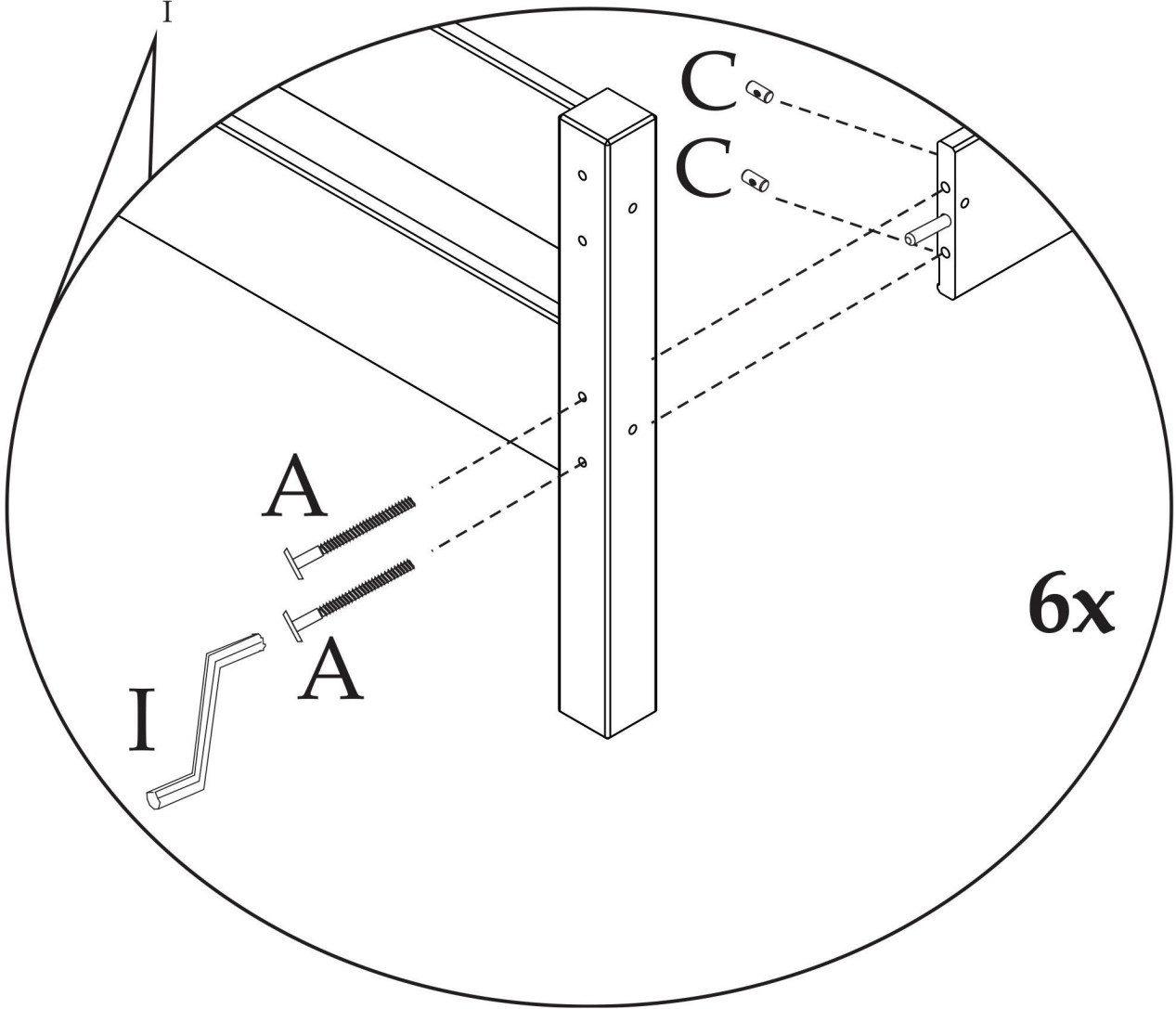
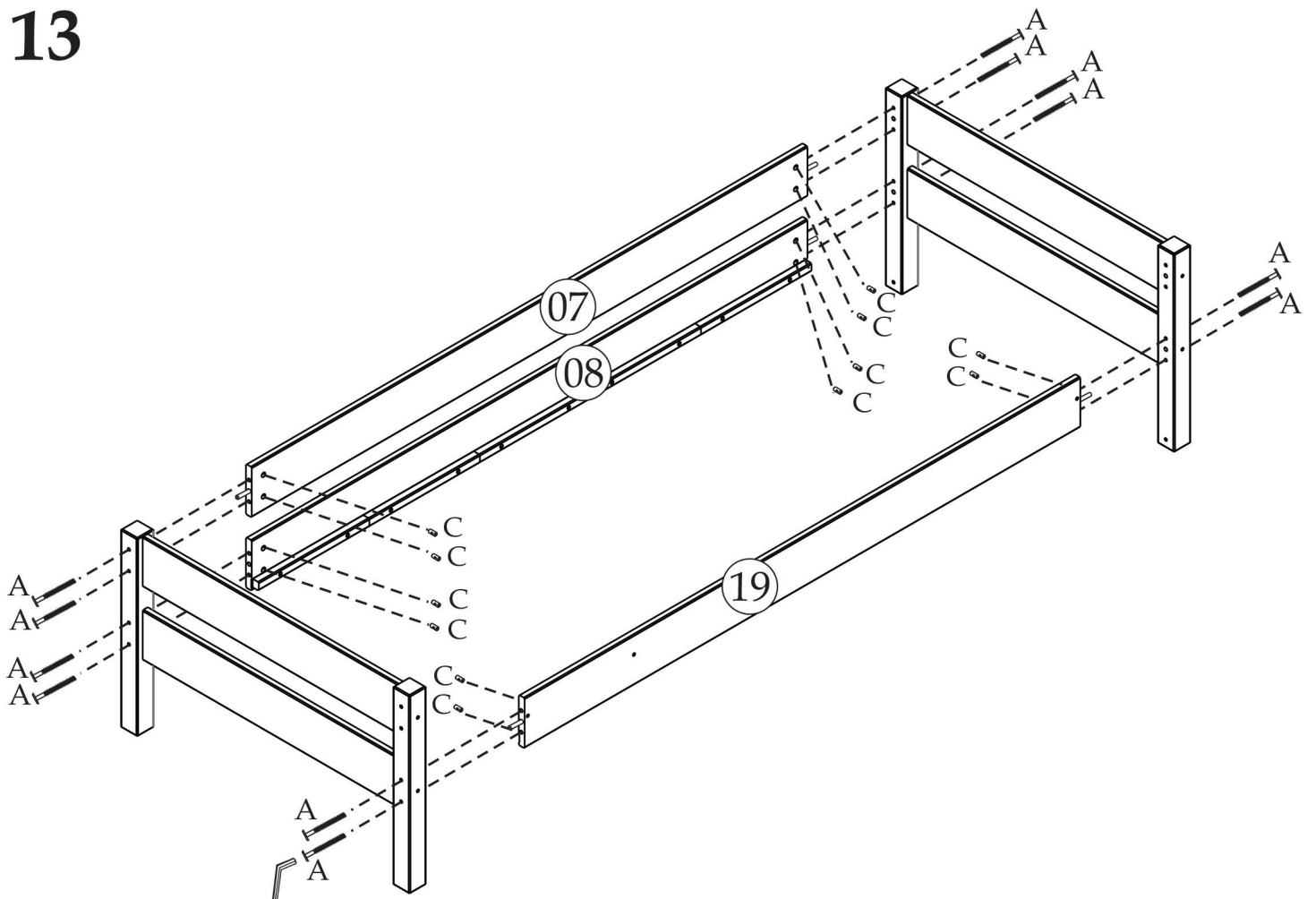


3<sup>rd</sup>



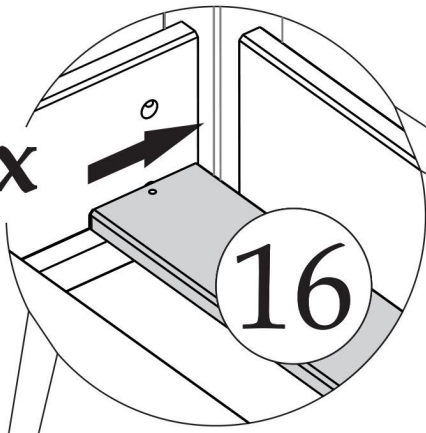






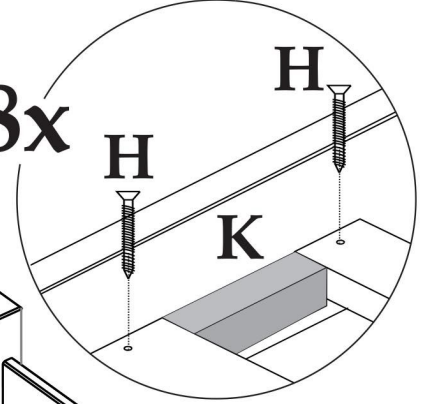
14

2x



16

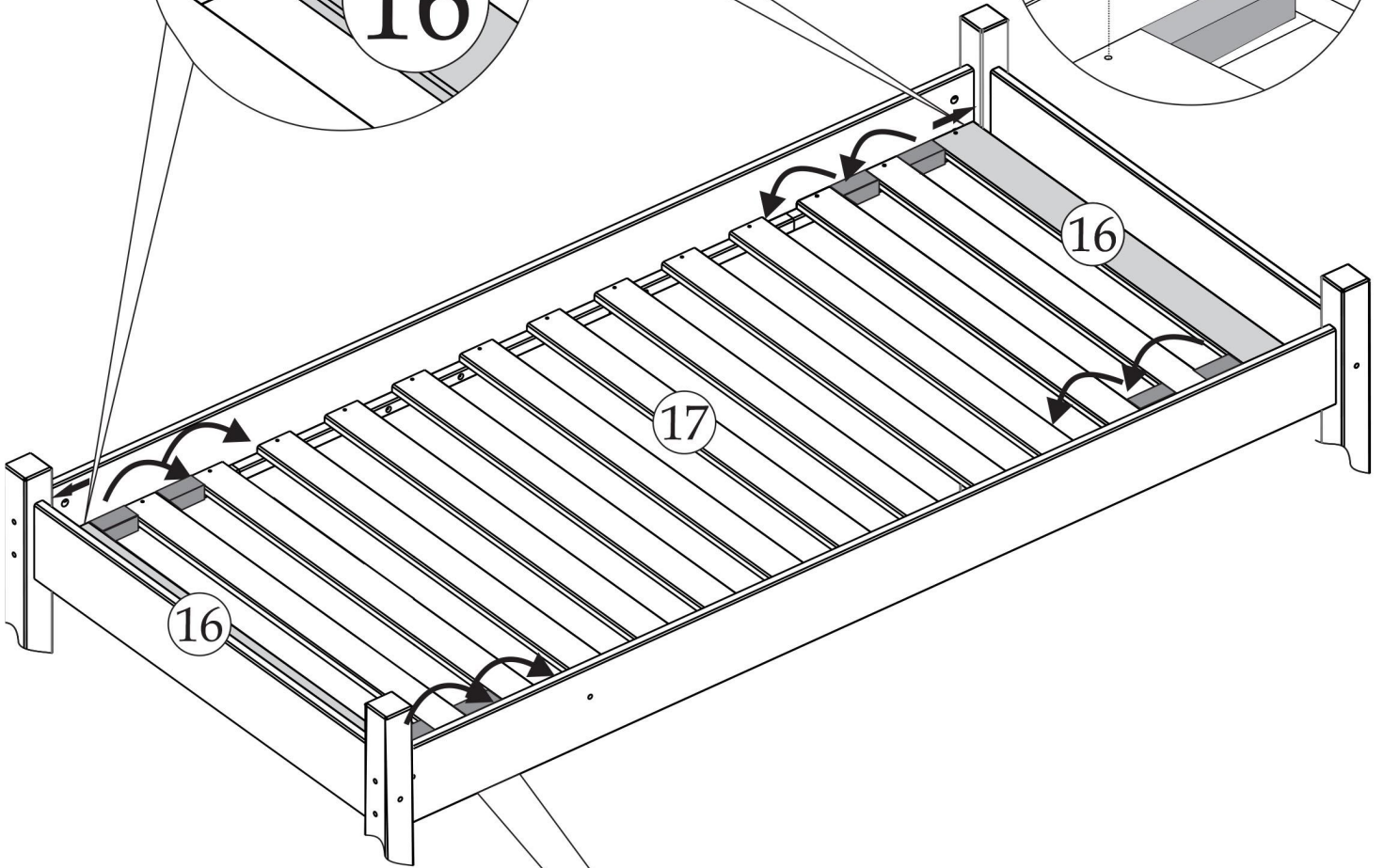
28x



H

H

K



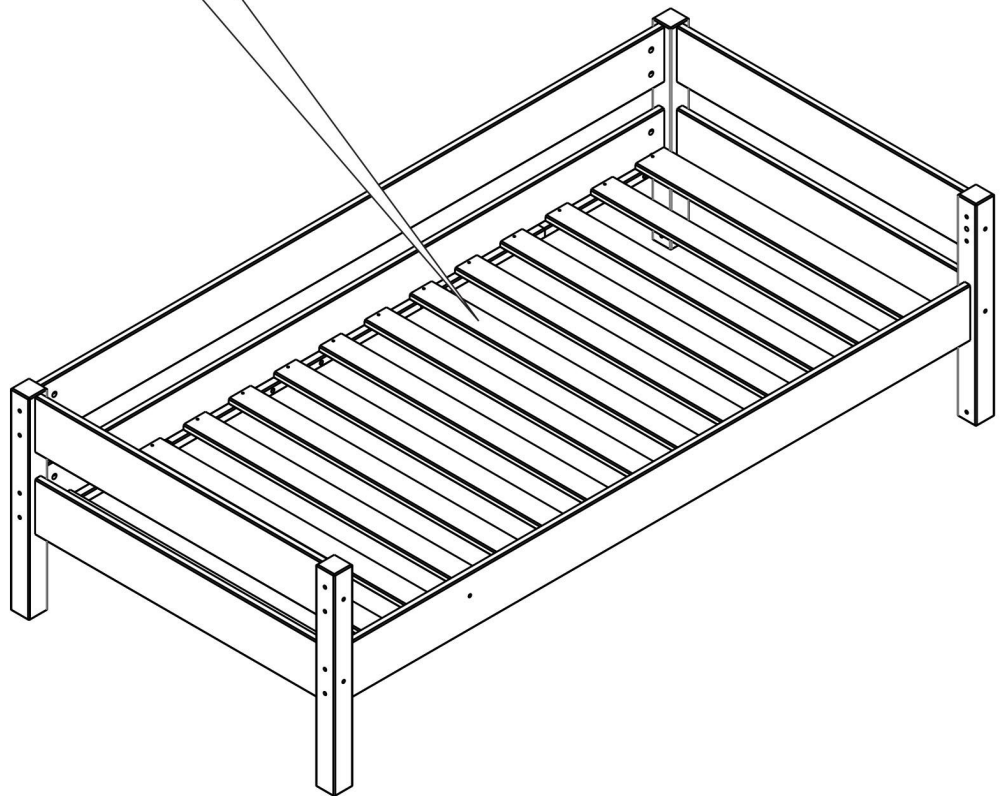
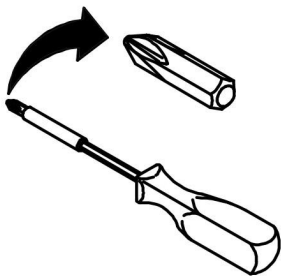
16

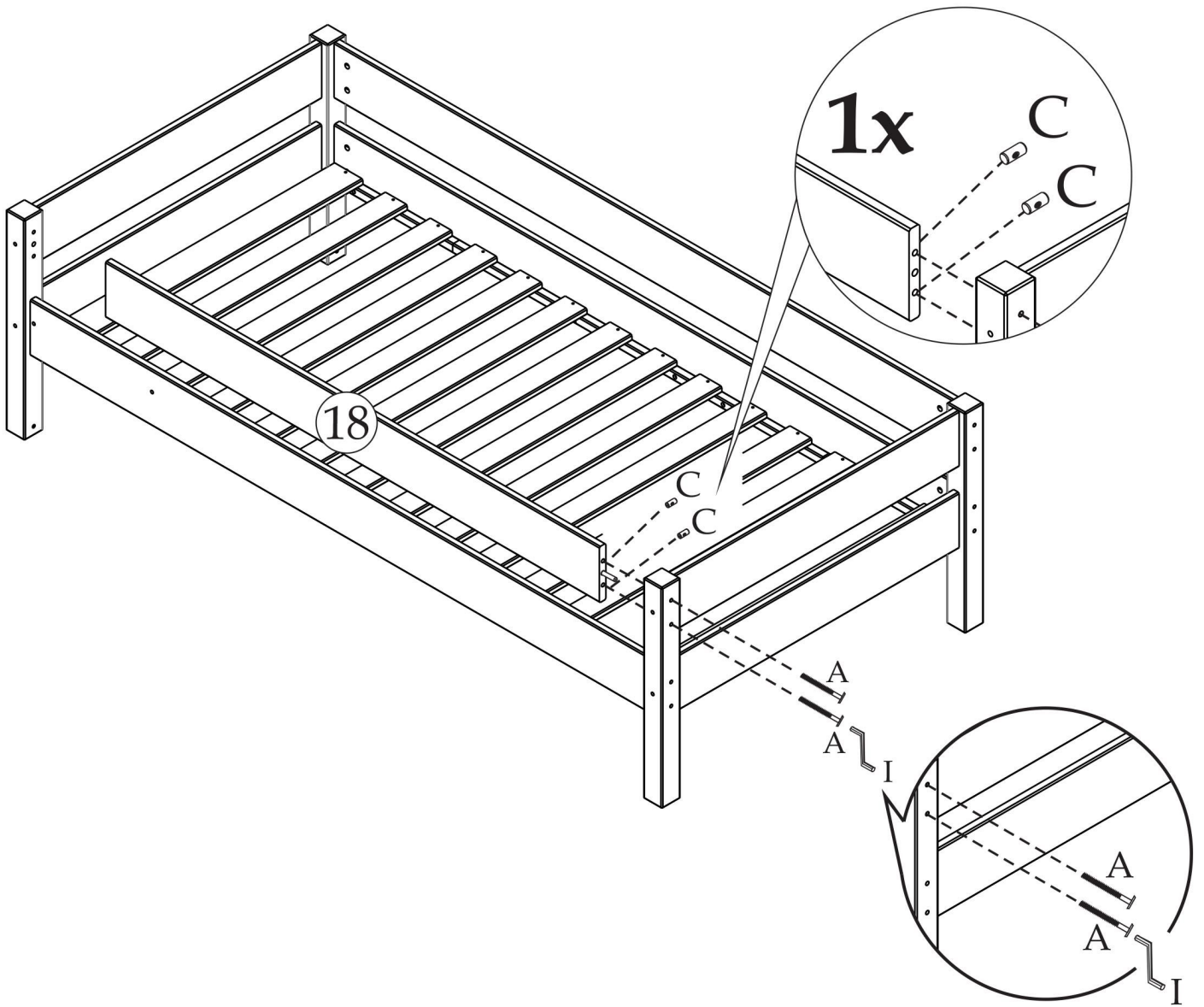
17

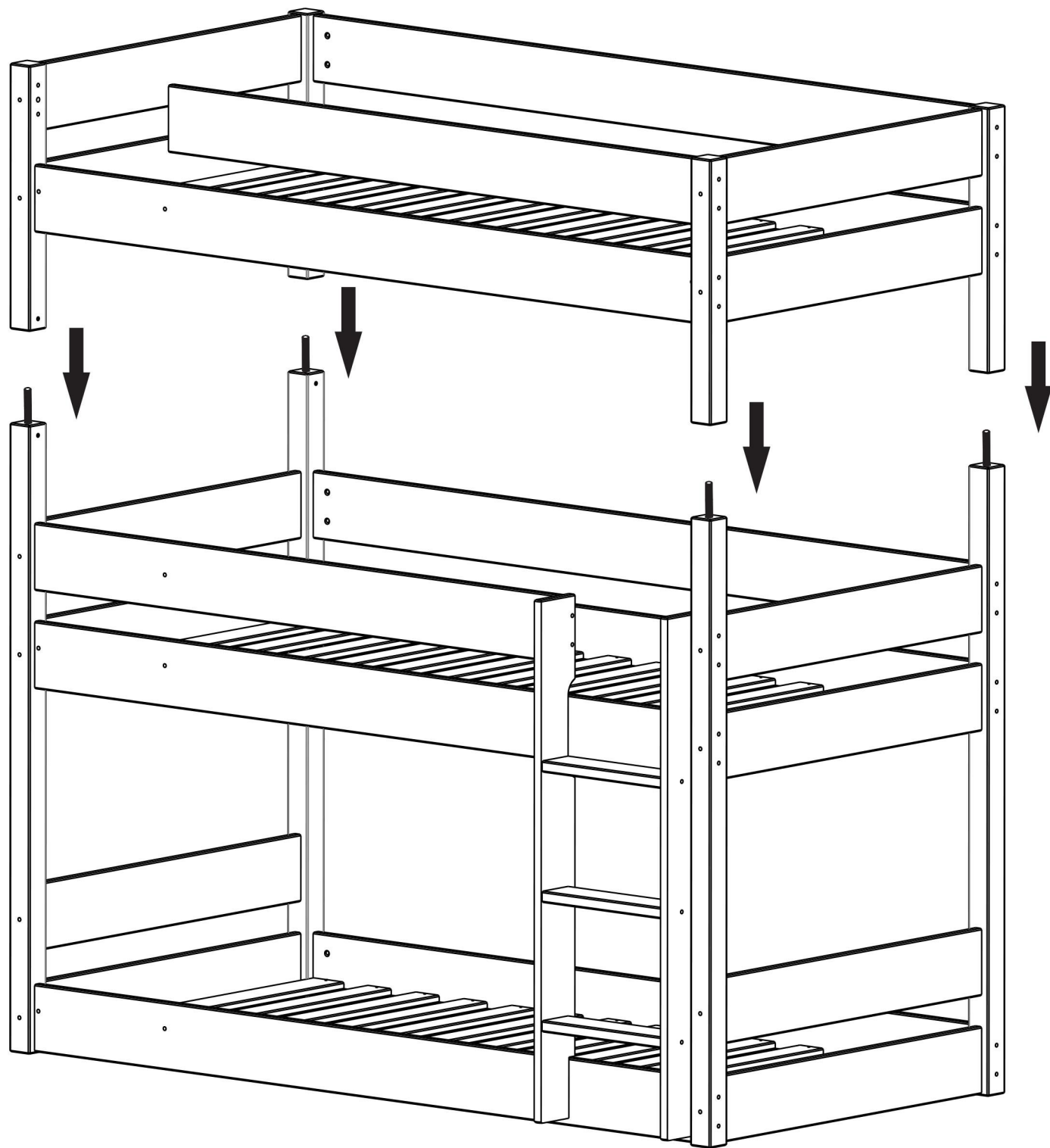
16

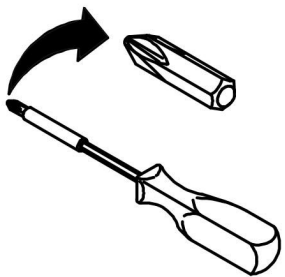
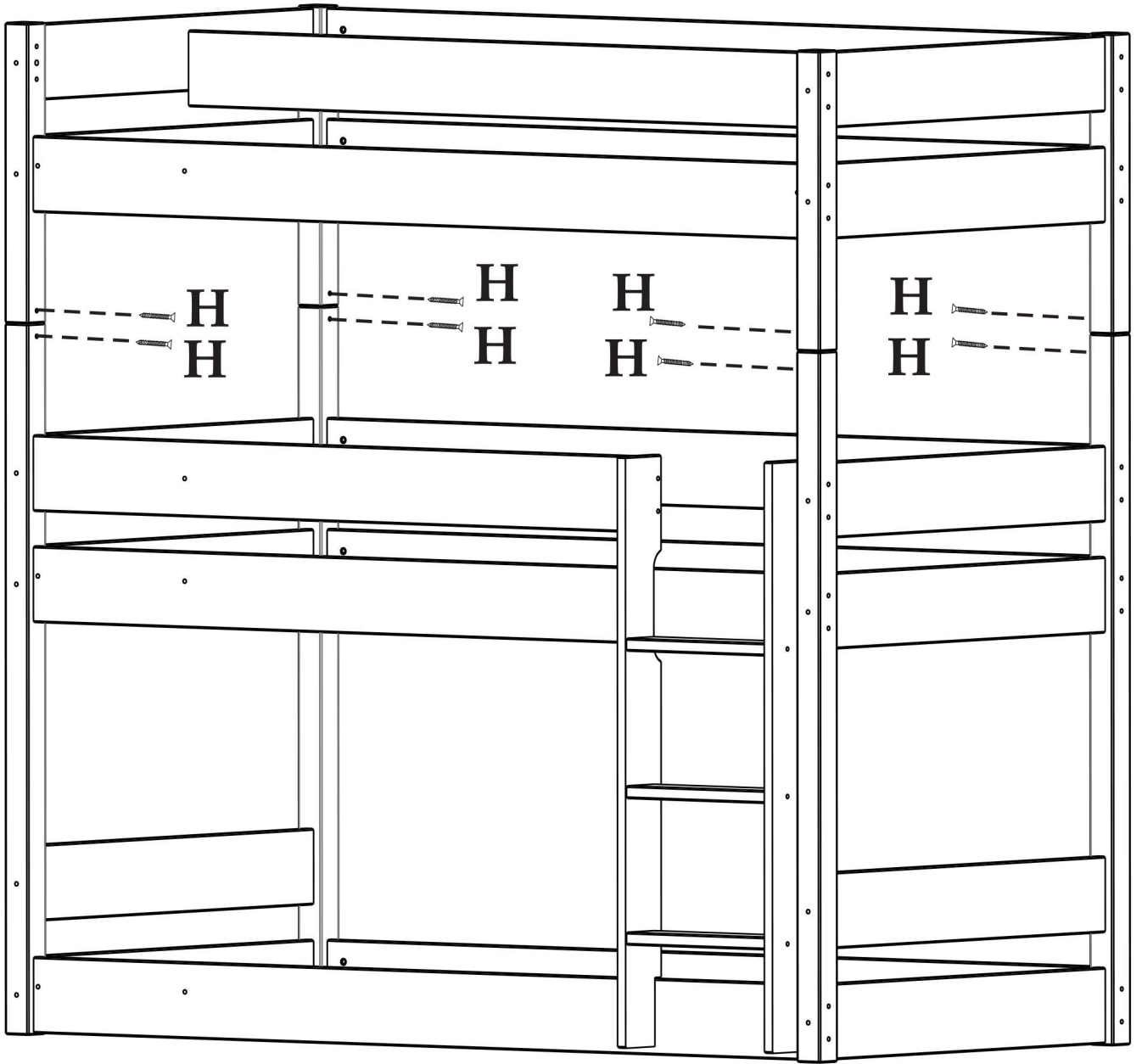


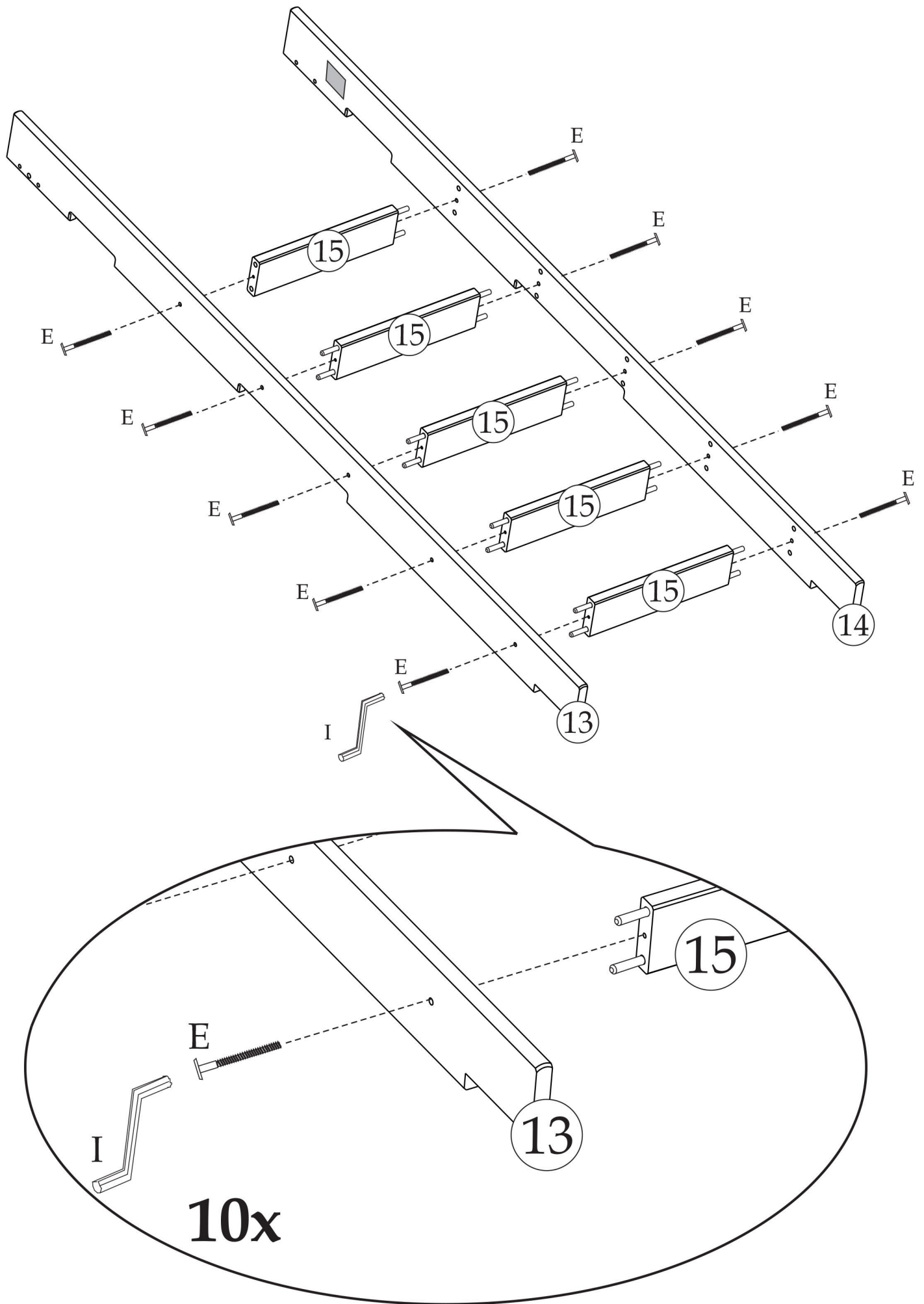
Do Not Use Power Tools

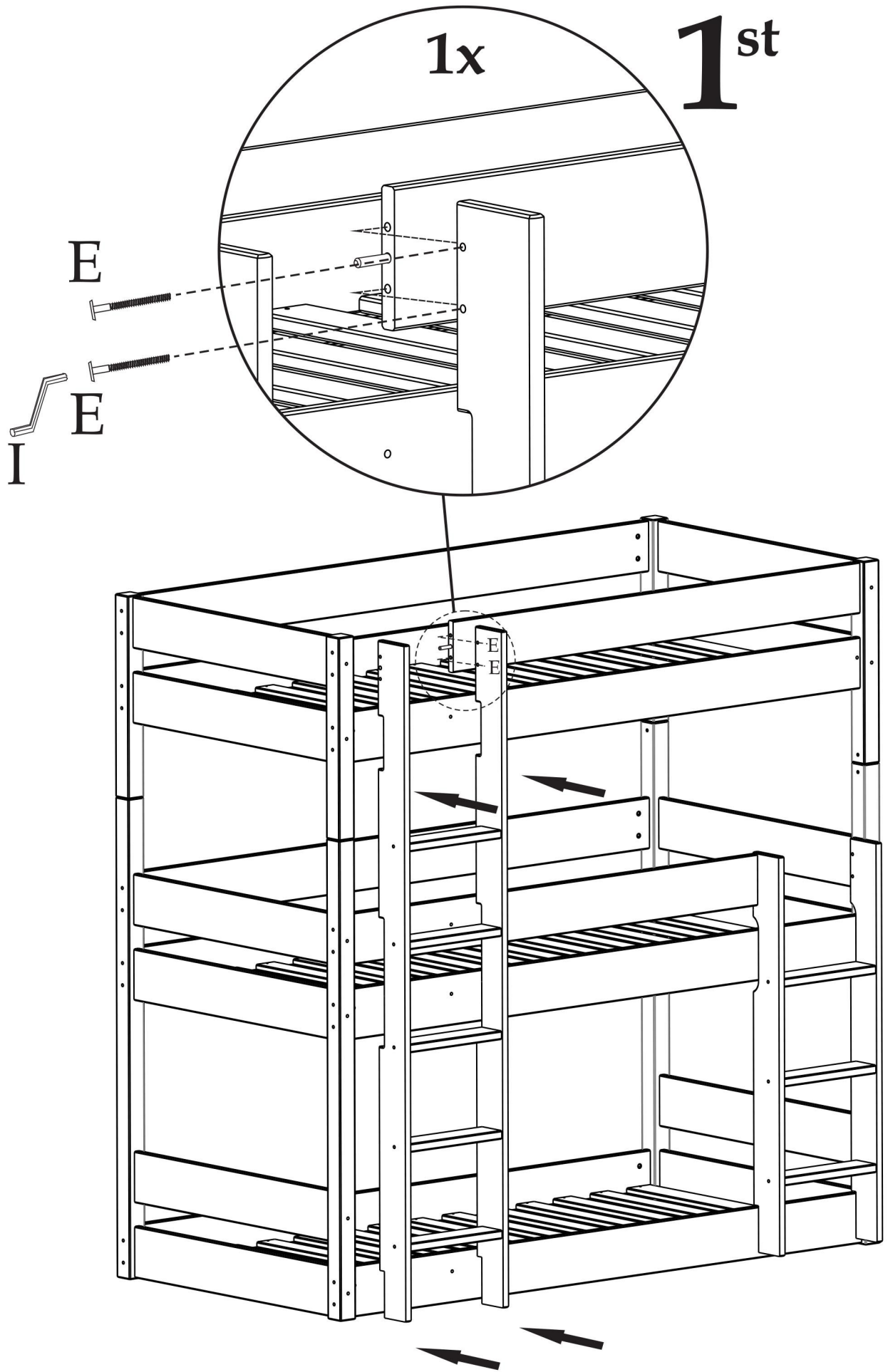


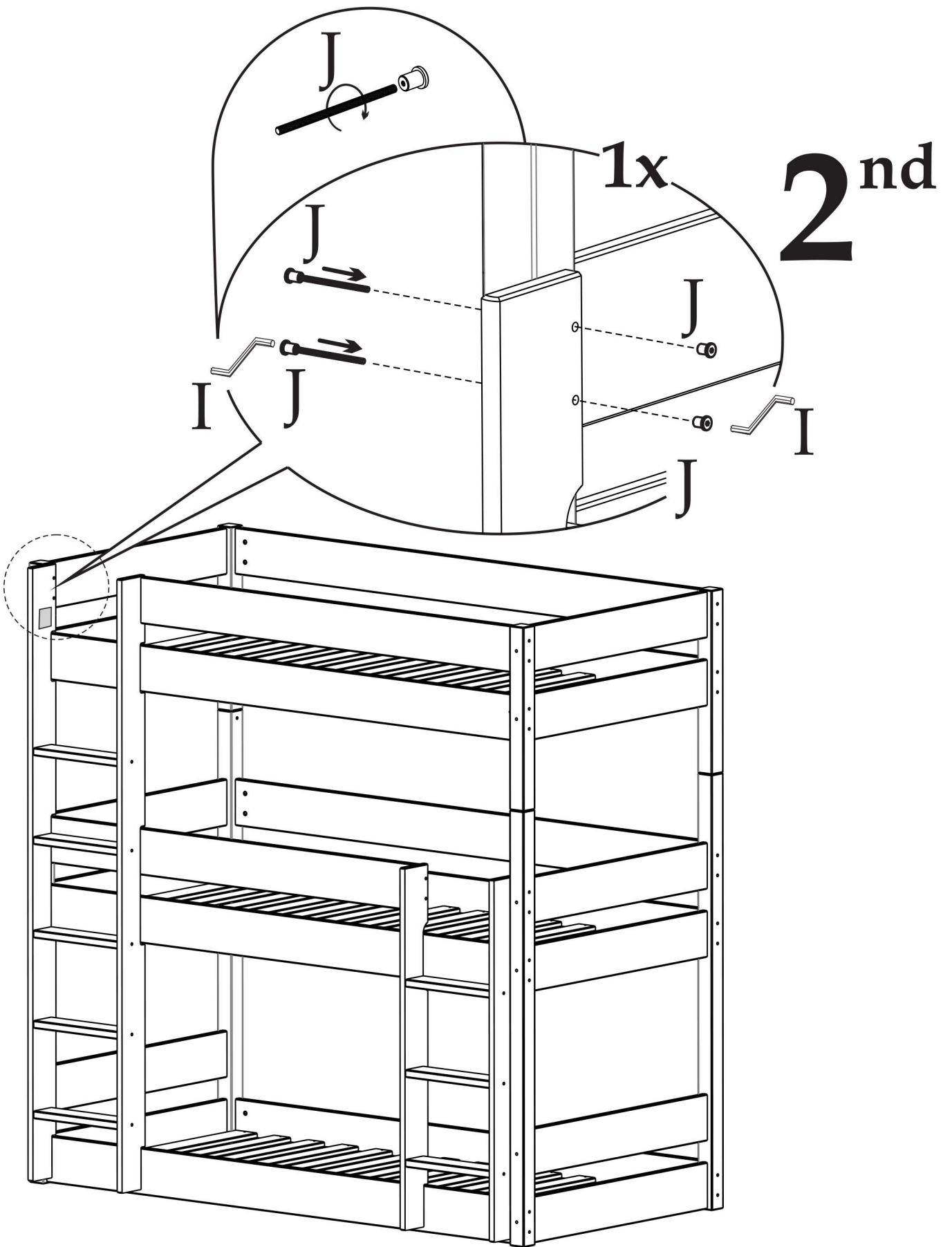




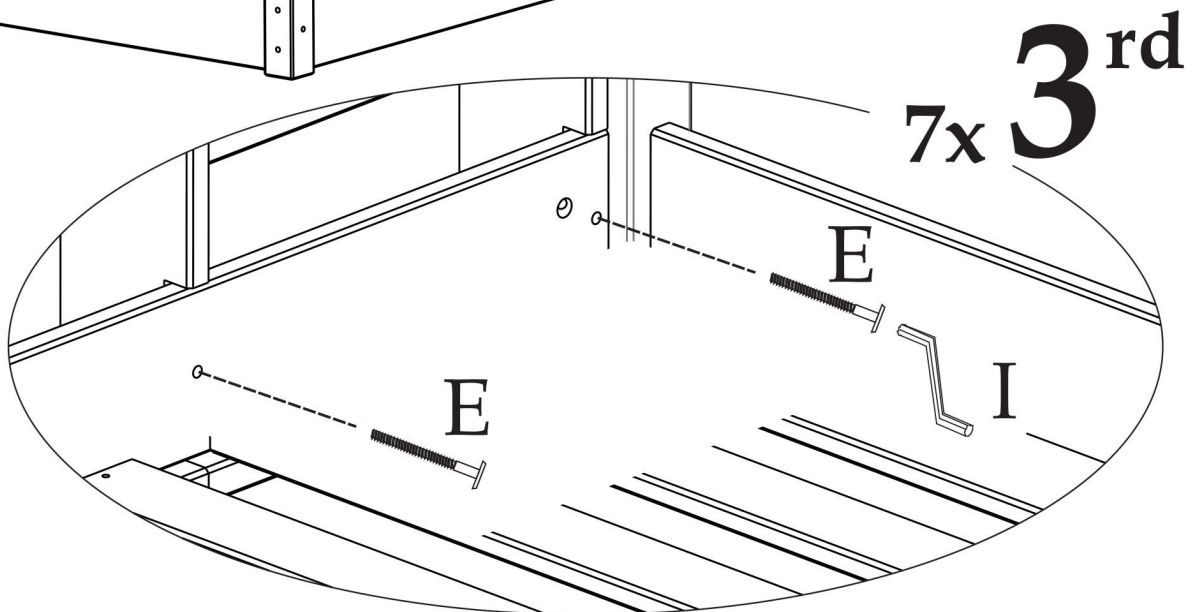
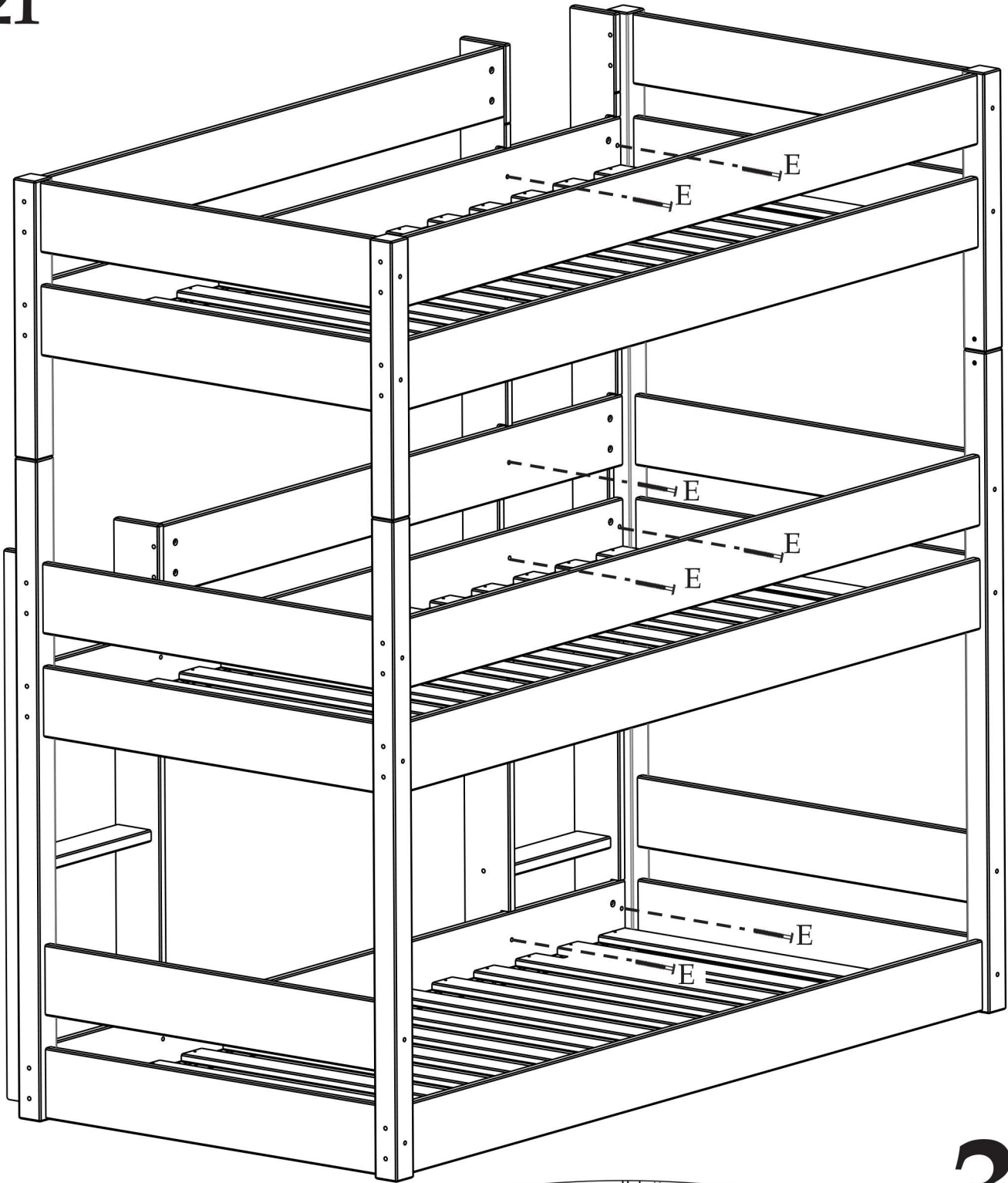


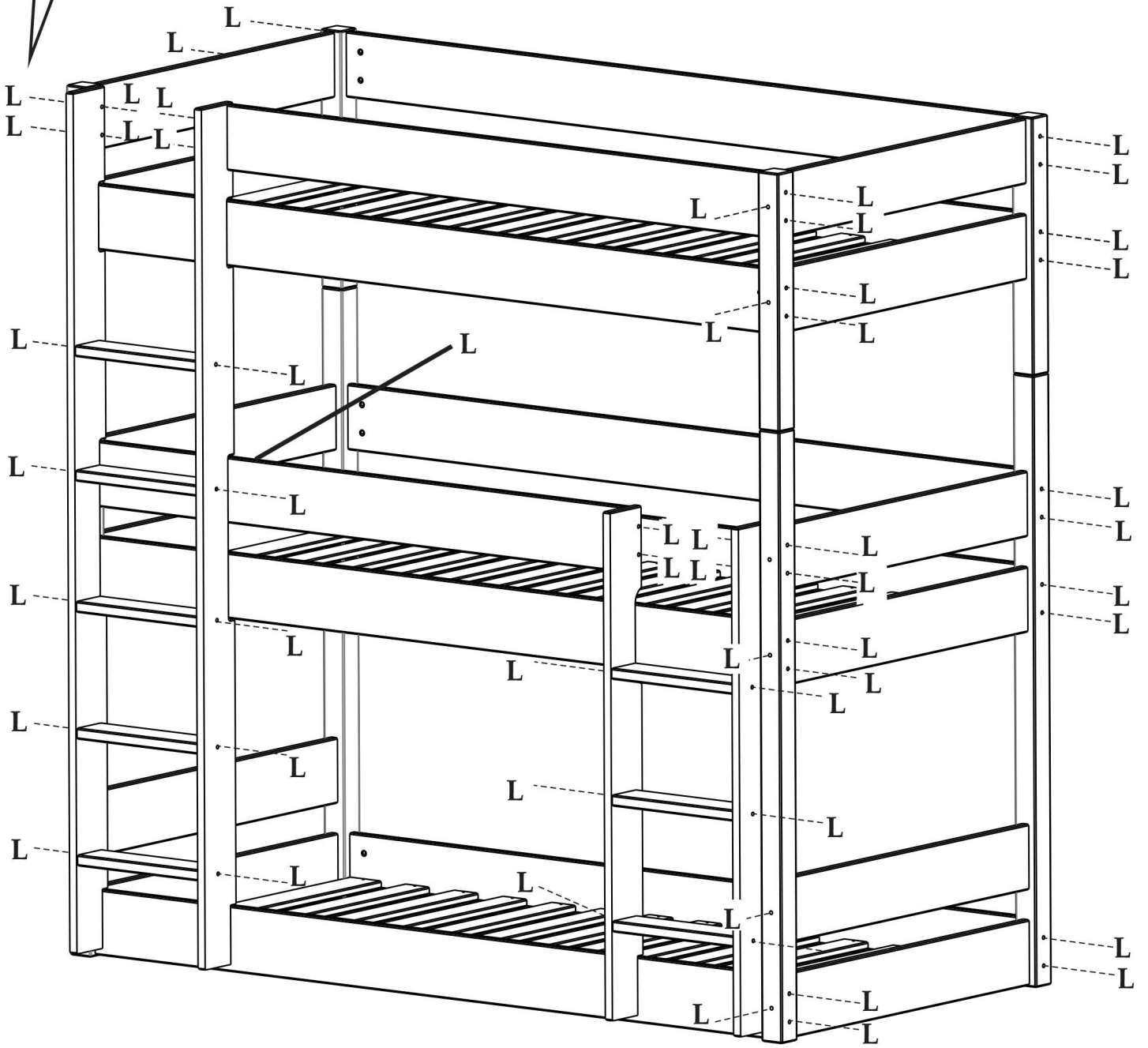
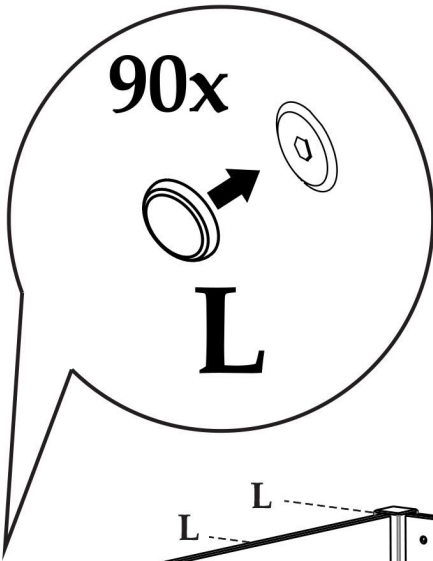


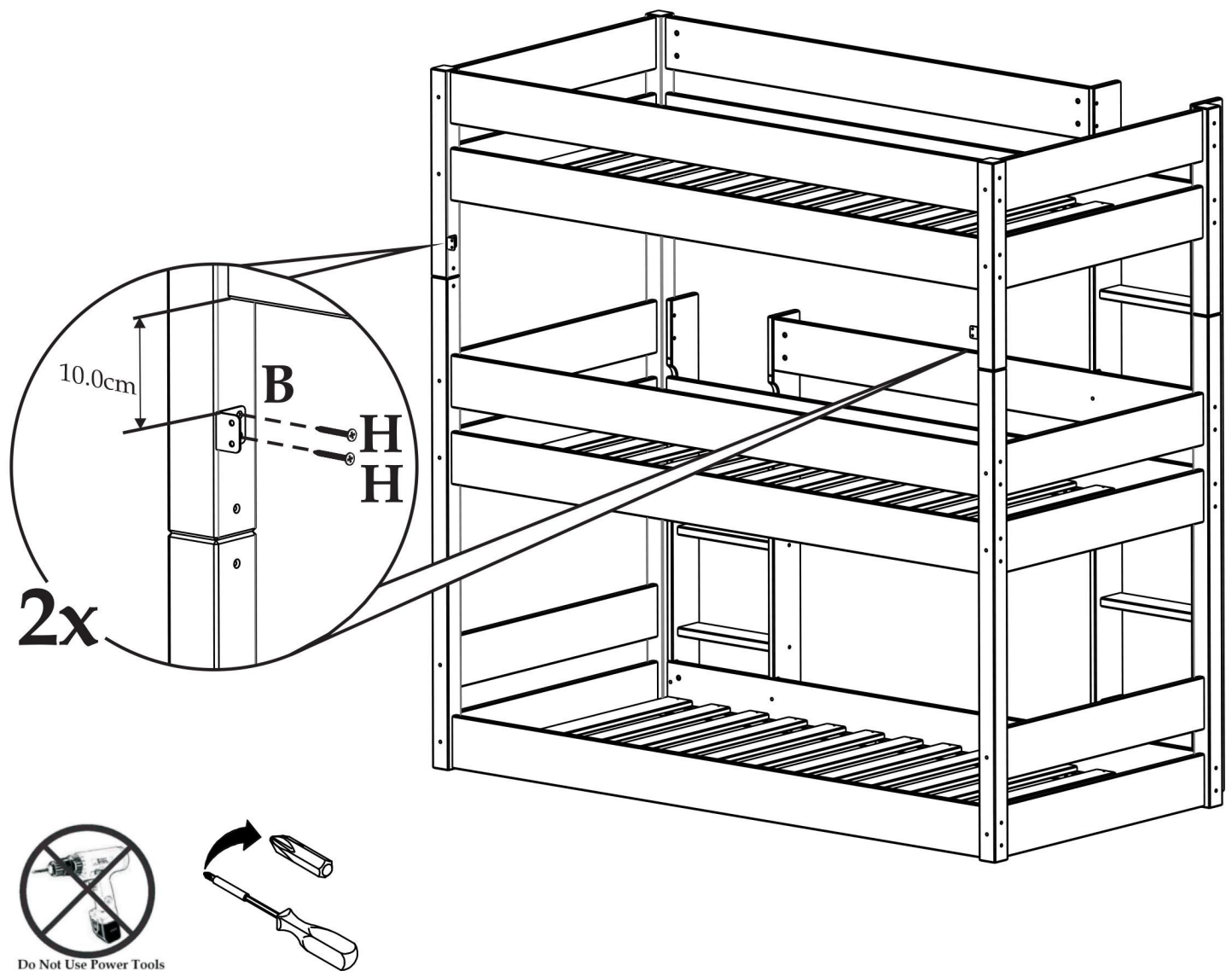












### ADDITIONAL SAFETY INFORMATION

In the interest of safety, particularly where small children are concerned, we advise securing your furniture to the wall to prevent the product from tipping forwards when loaded.

The screw included in this fitting pack is only intended for fixing the safety strap to the piece of furniture.

If you are unsure what type of fixings to use, please seek further advice from your local DIY store.

## **General Care**

Wipe clean with a slightly damp soft cloth. Avoid the use of all household cleaners and abrasives. When moving your furniture, carefully lift into place. Never drag or push the pieces across the floor as this will cause damage to the joints and could result in failure to the product that will invalidate the warranty.

## **Recommendations**

Periodical re-tightening of fixings.

## **Warning**

This unit is heavy. Please use an assistant when lifting.

## **Notes**

We've tried to make this piece of furniture as easy to assemble as possible.

In the unlikely event that you have problems putting it together or have damaged or missing pieces, please contact our customer services on

**Telephone: 01553 615665**

**Email: [support@reinforcedbeds.co.uk](mailto:support@reinforcedbeds.co.uk)**

**Web: [www.reinforcedbeds.co.uk](http://www.reinforcedbeds.co.uk)**