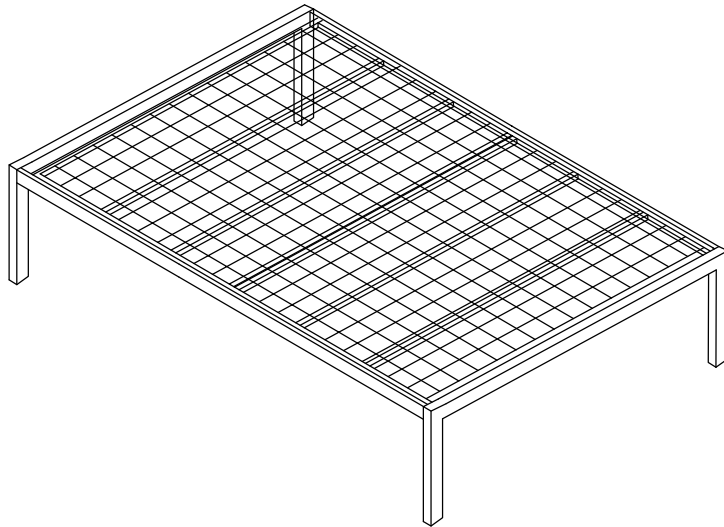
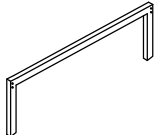
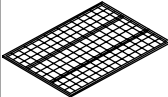










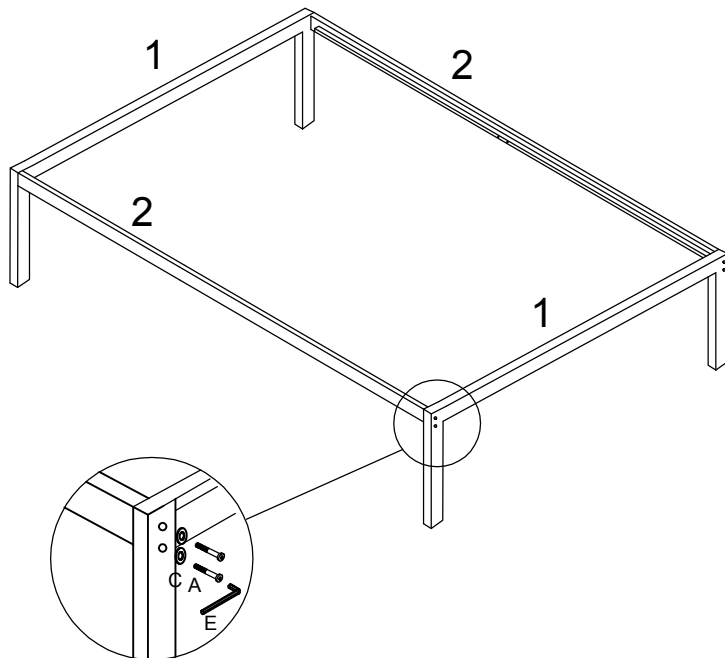
# Assembly Instructions: Thornham Bed (4'0 + 4'6)






1		2	4		2
2		2			
3		1			

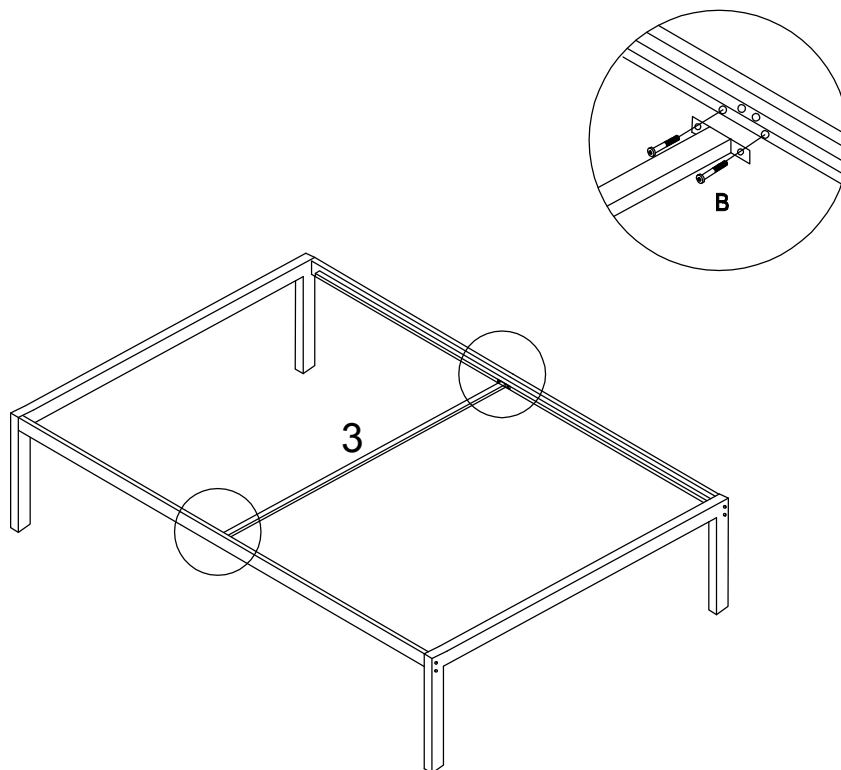
A		M8X40mm	8
B		M6X16mm	4
C		M8	8
D		M6	8
E			2
F		M6X45mm	8


# STEP 1



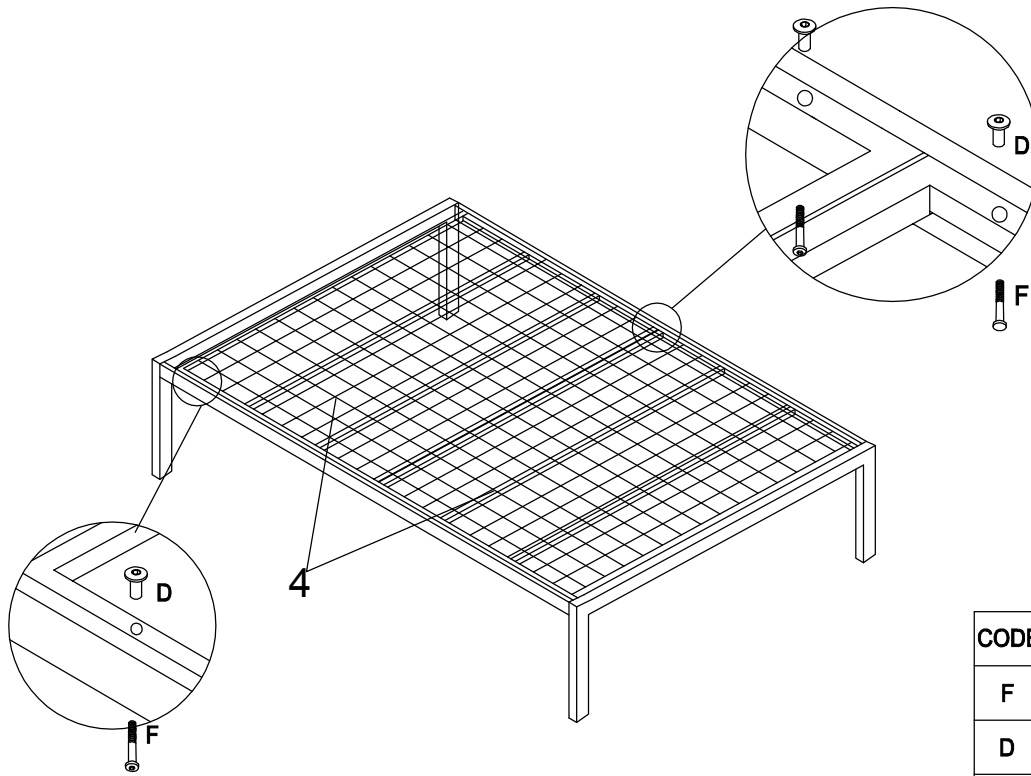
CODE	HARDWARE	QTY
A	 M8X40	8
C	 M8	8
E		1




# STEP 2



CODE	HARDWARE	QTY
B	 M6X16	4

# STEP 3



CODE	HARDWARE	QTY
F	 M6X45	8
D	 M6	8
E		1

# STEP 4

