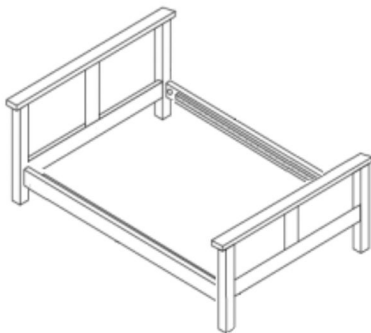


ASSEMBLY INSTRUCTIONS - STRONG WOODEN BEDS

SAFETY ADVICE







THESE PRODUCTS ARE HEAVY. TAKE CARE WHEN LIFTING TO AVOID PERSONAL INJURY AND DAMAGE TO THE PRODUCT. THESE PRODUCTS CONTAIN SMALL ITEMS, WHICH SHOULD BE KEPT AWAY FROM YOUNG CHILDREN. FOR YOUR SAFETY, ASSEMBLY BY TWO ADULT'S IS RECCOMENDED. CONTACT US AT SUPPORT@REINFORCEDBEDS.CO.UK FOR ANY CONCERNS.



COMPONENTS INCLUDED:

1. HEADBOARD - 1PC
2. FOOTBOARD - 1PC
 - a - RAILEND
 - b - HIGHEND
 - c - LOWEND
3. SIDERAILS - 2PCS
4. SLATS-
 - a - 2'6", 3', 4', 4'6" - 8PCS
 - b - 5', 6' - 9PCS

HARDWARE INCLUDED:

1. M8 TREADED BOLTS - 4 QTY ----- 
2. M8 NUTS - 4 QTY ----- 
3. HALF MOON - 4 QTY ----- 
4. M10 WOODEN DOWELLS - 8 QTY ----- 
5. M4 X 40MM WOOD SCREWS - 20 QTY ----- 
6. M8 SPANNER - 1 QTY ----- 

INSTRUCTIONS ARE GENERIC. FIGURES MAY VRY

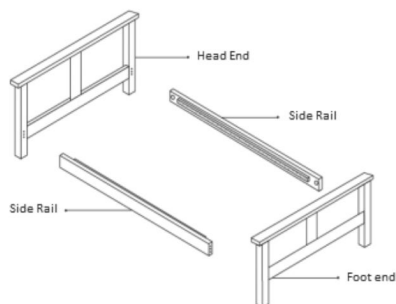
TOOLS REQUIRED:

7. HAMMER ----- 
8. PHILIPS SCREWDRIVER ----- 

PRE ASSEMBLY:

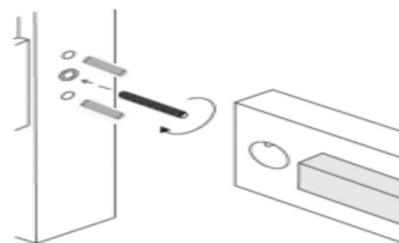
1. REMOVE ALL PARTS AND HARDWARE FROM BOX/PACKAGING AND LAY OUT ON A CLEAN, CARPETED OR SCRATCH FREE SURFACE, AS THIS WILL AVOID DAMAGING ANY COMPONENTS DURING ASSEMBLY. DO NOT DISPOSE OF ANY CONTENTS UNTIL ASSEMBLY IS COMPLETED TO AVOID ACCIDENTALLY DISCARDING SMALL PARTS OR HARDWARE.
2. USE THE PARTS AND THE HARDWARE LISTS ABOVE TO IDENTIFY AND SEPERATE EACH OF THE PIECES INCLUDED.
3. THE ILLUSTRATIONS PROVIDED ALLOW FOR EASIER ASSEMBLY WHEN USED IN CONJUNCTION WITH THE ASSEMBLY INSTRUCTIONS.
4. NOTE: DO NOT FULLY TIGHTEN ALL BOLTS UNTIL ALL PARTS ARE IN PLACE. FAILURE TO FOLLOW THESE INSTRUSTIONS MAY CAUSE THE BOLTS TO MISALIGN DURING THE ASSEMBLY.
5. IF USING POWER TOOLS TO AID IN ASSEMBLY PLEASE USE CAUTION. POWER TOOLS CAN DAMAGE HARDWARE OR SPLIT WOOD.

STEP 1: ONCE YOU HAVE UNPACKED THE COMPONTS, LAY OUT THE BED AS SHOWN BELOW.

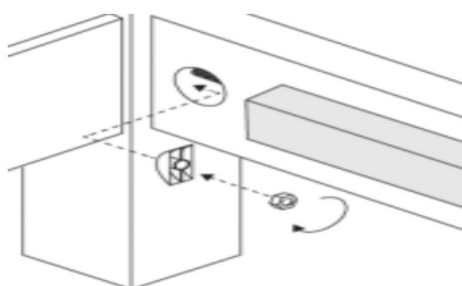


STEP 2: SCREW THE 4 TREADED BOLTS INTO THE HEADBOARD AND FOOTBOARD AS SHOWN BELOW.

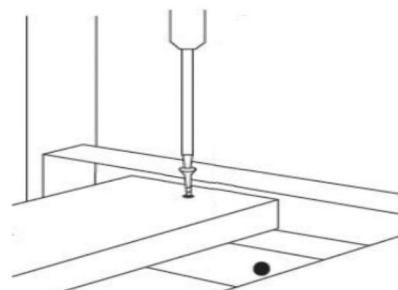
STEP 3: TAP WOODEN DOWELLS HALF WAY INTO TOP AND BOTTOM OF POST USING A HAMMER.



STEP 4: SLIDE SIDERAIL INTO TREADED BOLT, INSERT HALF MOON AND ATTACH NUT. TIGHT THE NUT WITH SPANNER PROVIDED. **DO NOT OVERTIGHT**



STEP 4: LAY SLATS OUT ON THE BED FRAME WITH EQUAL GAPS. USING THE SCREWS PROVIDED, SCREW ALL THE SLATS DOWN WITH A SCREW DRIVER. **DO NOT OVERTIGHT**



PLEASE NOTE: AFTER USING YOUR BED FOR ONE WEEK, ALL NUTS SHOULD BE CHECKED FOR TIGHTNESS. IF YOU EVER EXPERIENCE ANY SQUEAKING PLEASE CHECK ALL NUTS ARE TIGHT. **DO NOT OVERTIGHT** ANY NUTS OR SCREWS THIS MAY CAUSE CROSS TREAD OR CRACKS