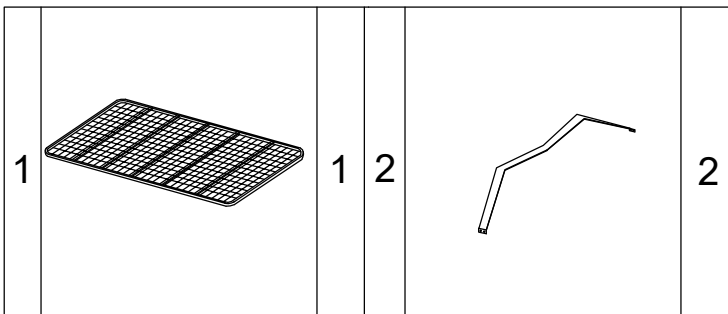
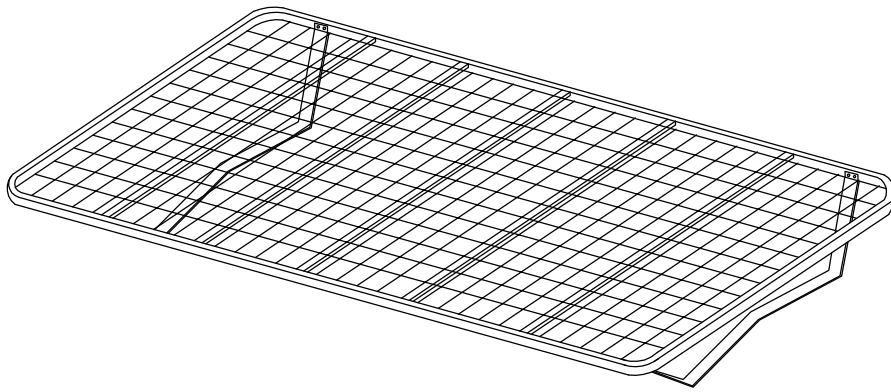
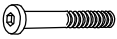


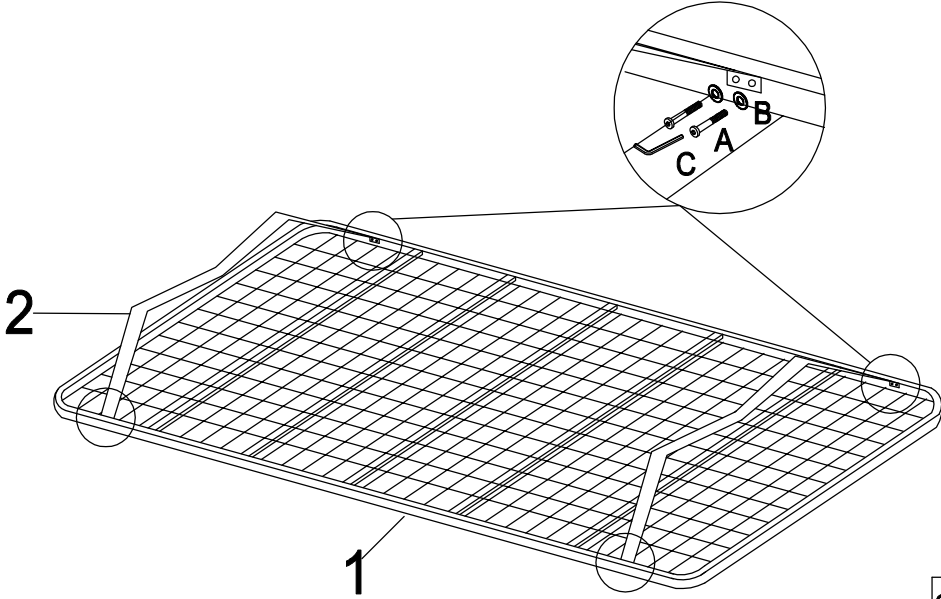


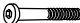


Assembly Instructions: Stanford Bed (3'0 + 4'0)



A		M8X25mm	8
B			8
C			1

STEP 1



CODE	HARDWARE	QTY
A	 M8X25	8
B		8
C		1

STEP 2

