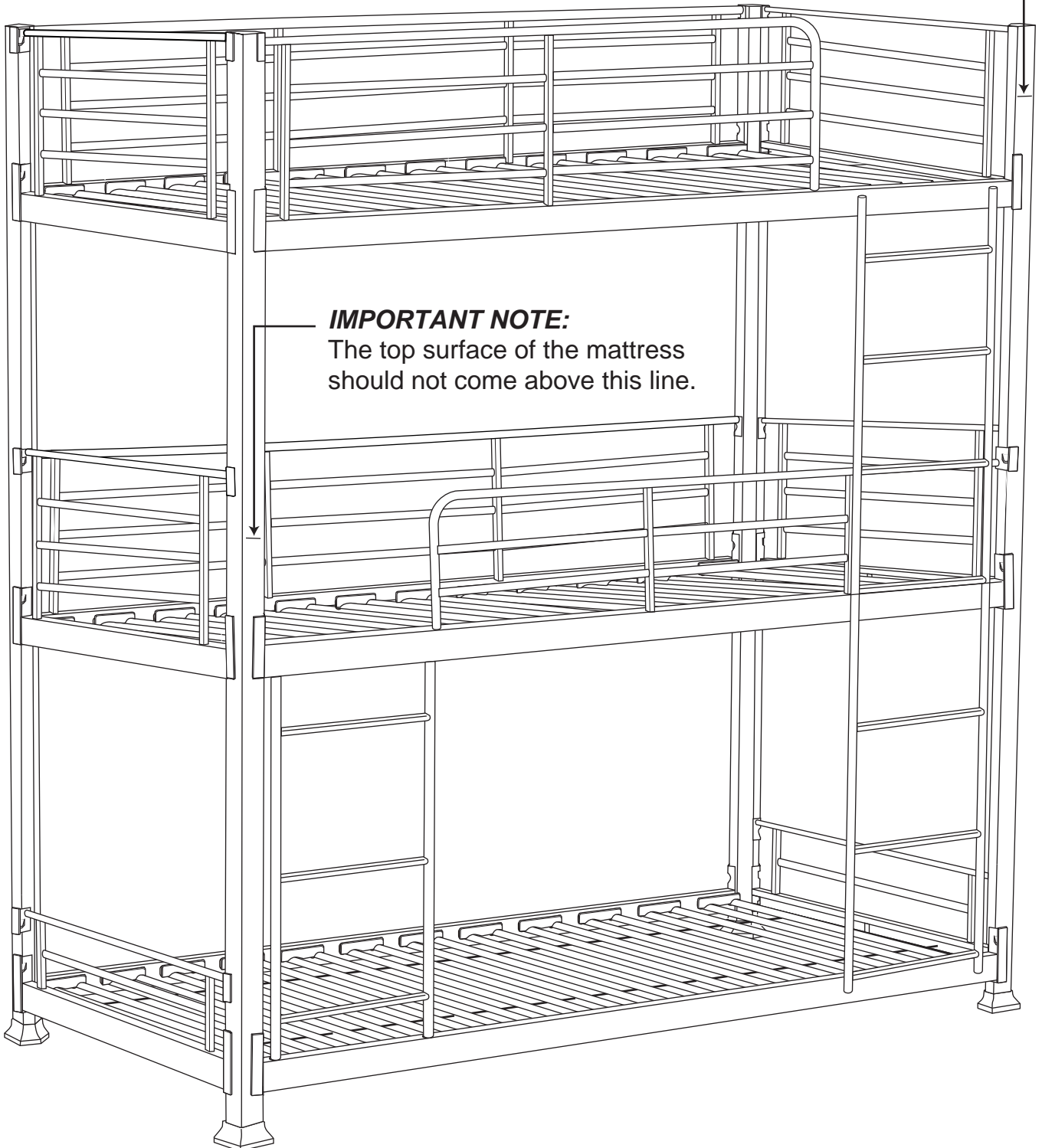


Three Tier Bunk Bed

Assembly Instructions - Please keep for future reference

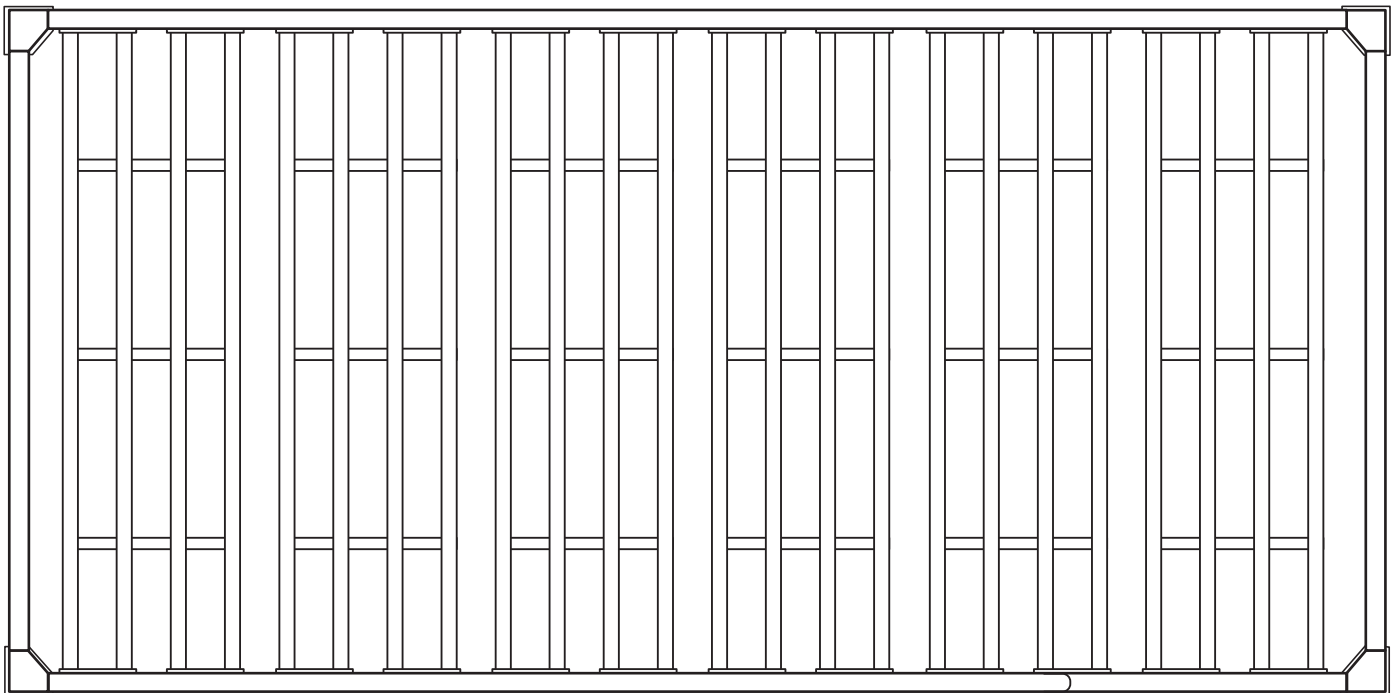
IMPORTANT NOTE:

The top surface of the mattress should not come above this line.



Three Tier Bunk Bed

Assembly Instructions - Please keep for future reference



Safety and Care Advice

- Important: Please read these instructions fully before starting assembly.
- Do not discard any of the packaging until you have checked that you have all the parts and the pack of fittings.
- Assemble this product on a flat and protected surface.
- At least 2 people are required to assemble this product.
- Assemble this product in the room intended for use.

Warnings:

- This product should only be used on firm, level ground.

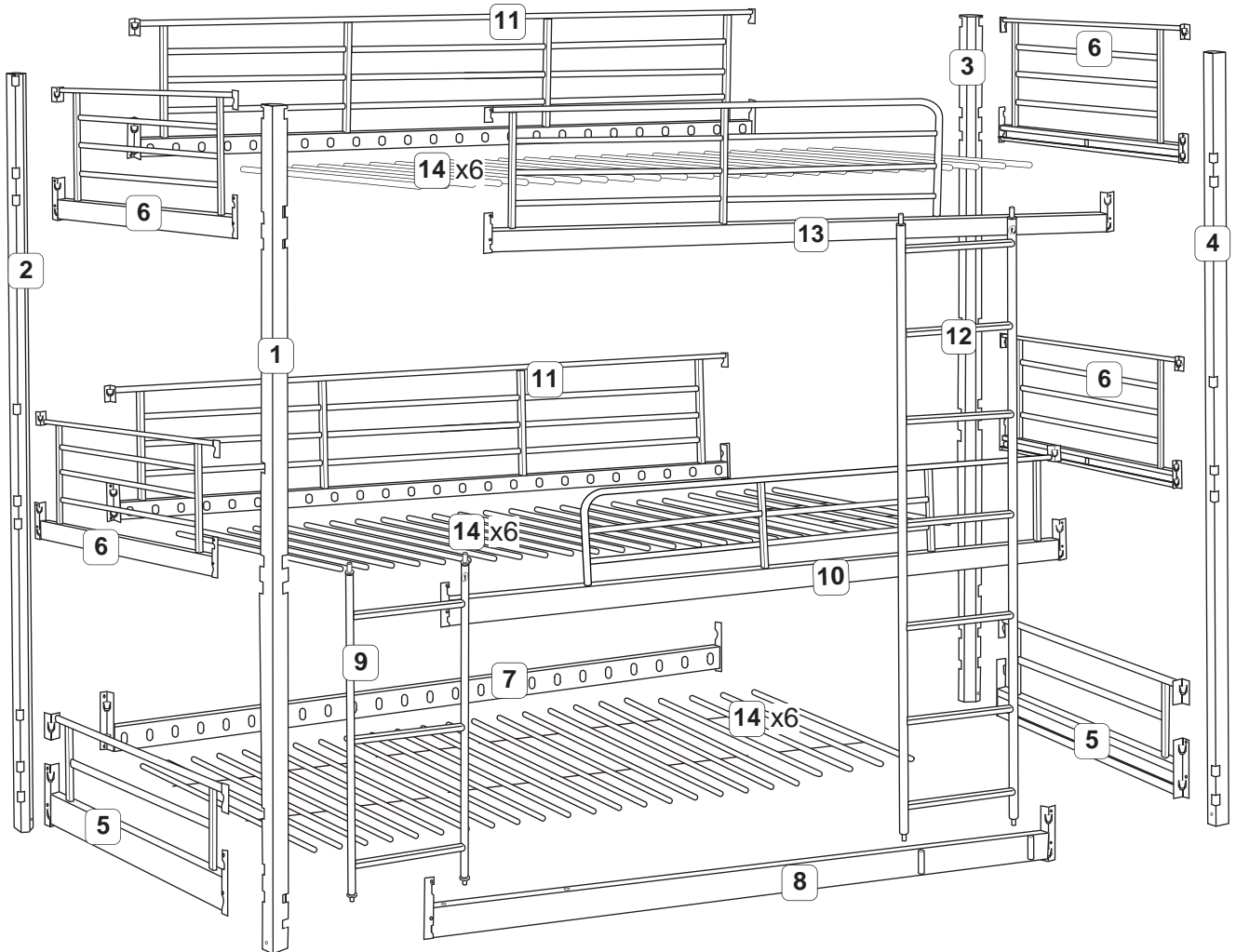
- Make sure the legs remain in contact with the ground.
- Do not stand on the product.

Care and maintenance:


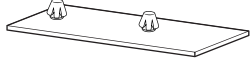
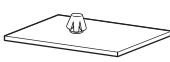


- Please clean the product using either damp (not wet) cloth and a mild domestic soap solution or by using an appropriate polish.
- Do not use abrasive materials when cleaning.
- From time to time, check that parts connections are tight and in place.

Parts List

- | | |
|---|---|
| 1 FRONT LEFT END POST - 1 pc. | 8 LOWER FRONT RAIL - 1 pc. |
| 2 BACK LEFT END POST - 1 pc. | 9 SHORT LADDER - 1 pc. |
| 3 BACK RIGHT END POST - 1 pc. | 10 MIDDLE FRONT RAIL - 1 pc. |
| 4 FRONT RIGHT END POST - 1 pcs. | 11 UPPER AND MIDDLE BACK RAIL - 2 pcs. |
| 5 LOWER SIDE RAIL - 2 pcs. | 12 LONG LADDER - 1 pcs. |
| 6 UPPER AND MIDDLE SIDE RAIL - 4 pc. | 13 UPPER FRONT RAIL- 1 pcs. |
| 7 LOWER BACK RAIL - 1 pc. | 14 SLAT- 18 pcs. |



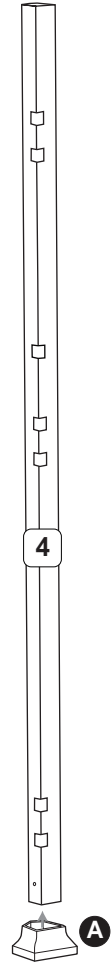
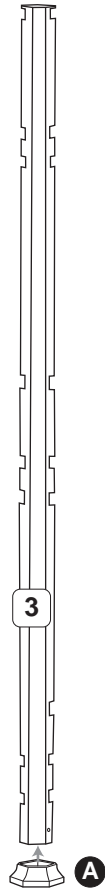
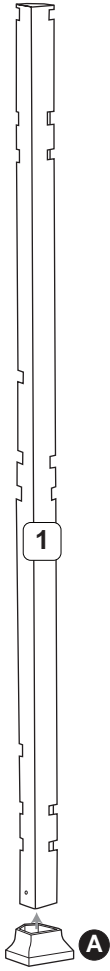
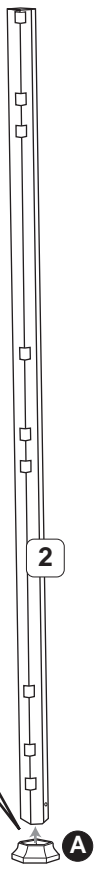
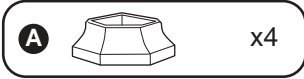
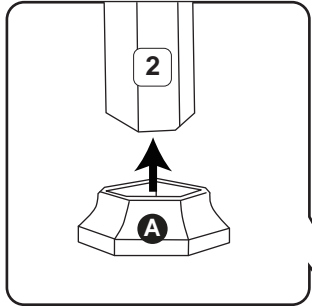
Fittings List

<p>A </p> <p>FOOTING - 4 pcs.</p>	<p>B </p> <p>LONG CAP - 24 pcs.</p>	<p>C </p> <p>SHORT CAP - 18 pcs.</p>
<p>D </p> <p>SLAT CAP - 72 pcs.</p>	<p>E </p> <p>Wall strap x 1</p>	

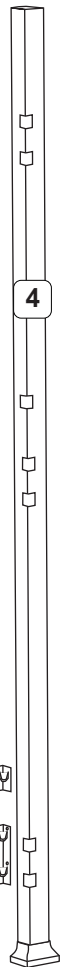
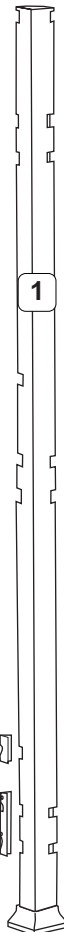
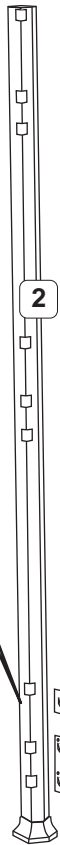
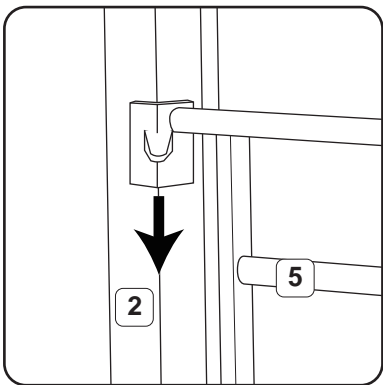
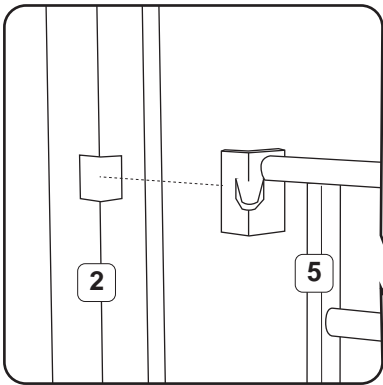
Additional Tools Required



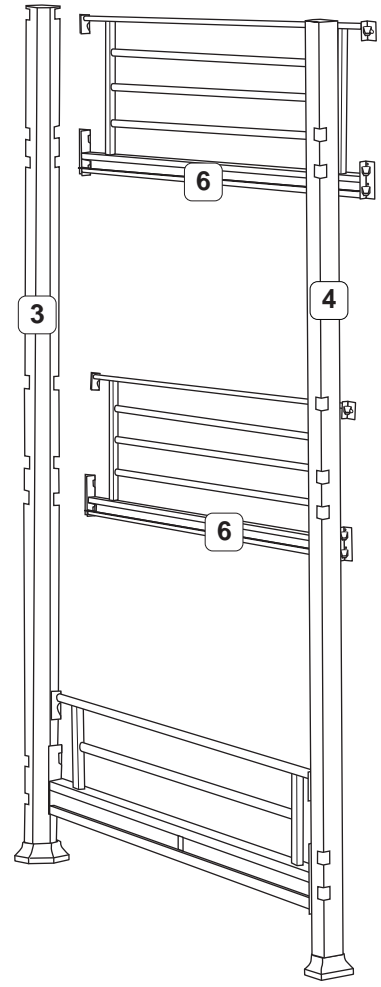
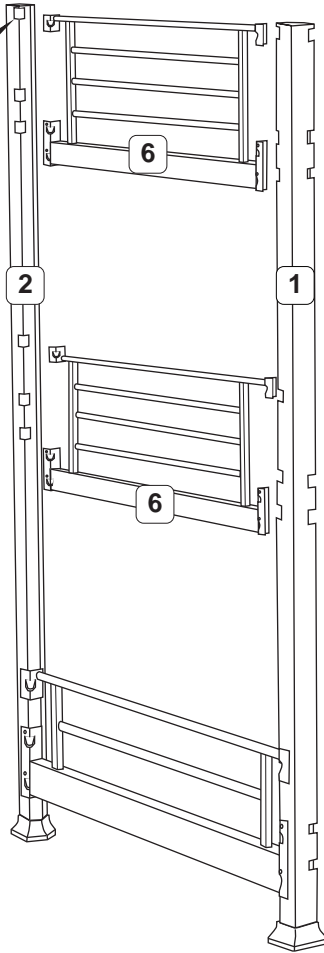
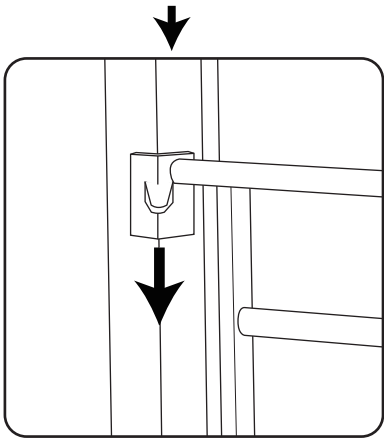
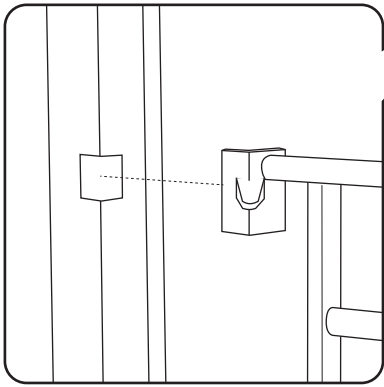
Step 1



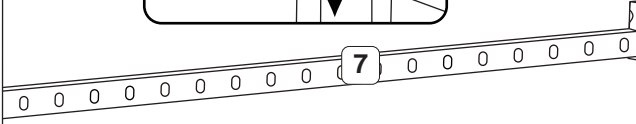
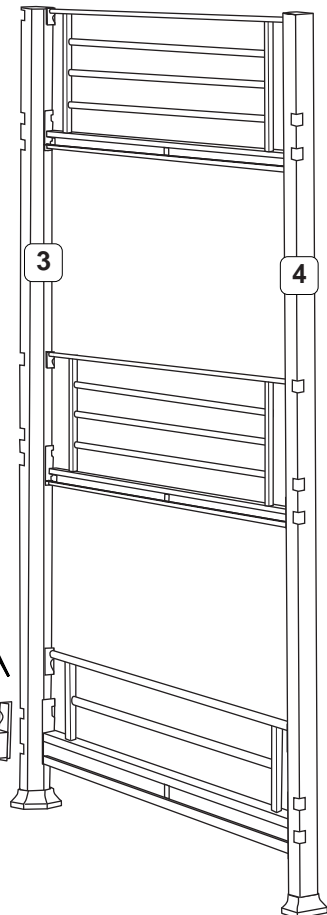
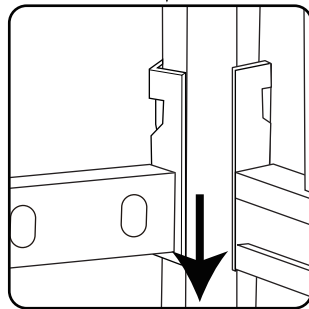
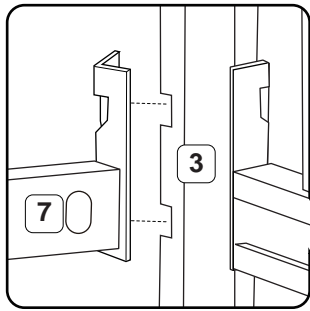
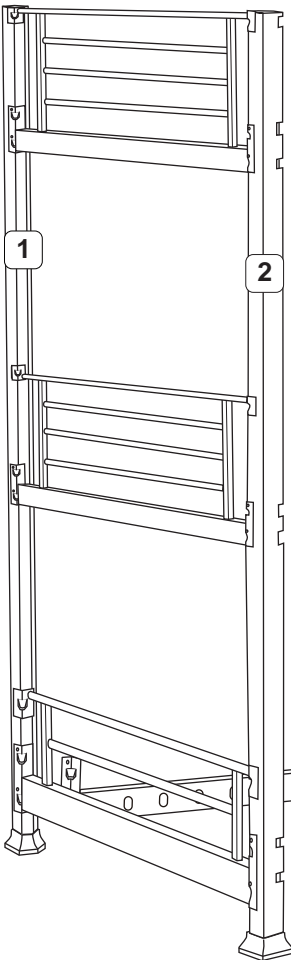
Step 2



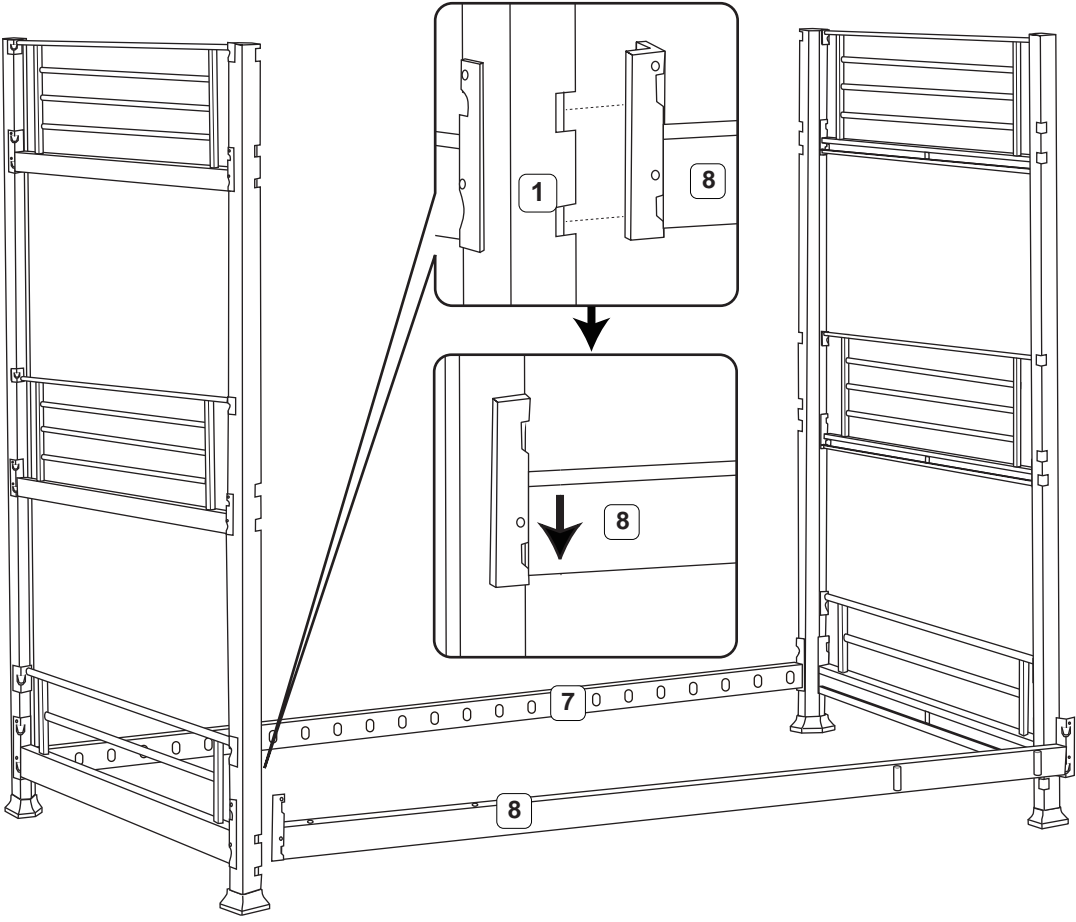
Step 3



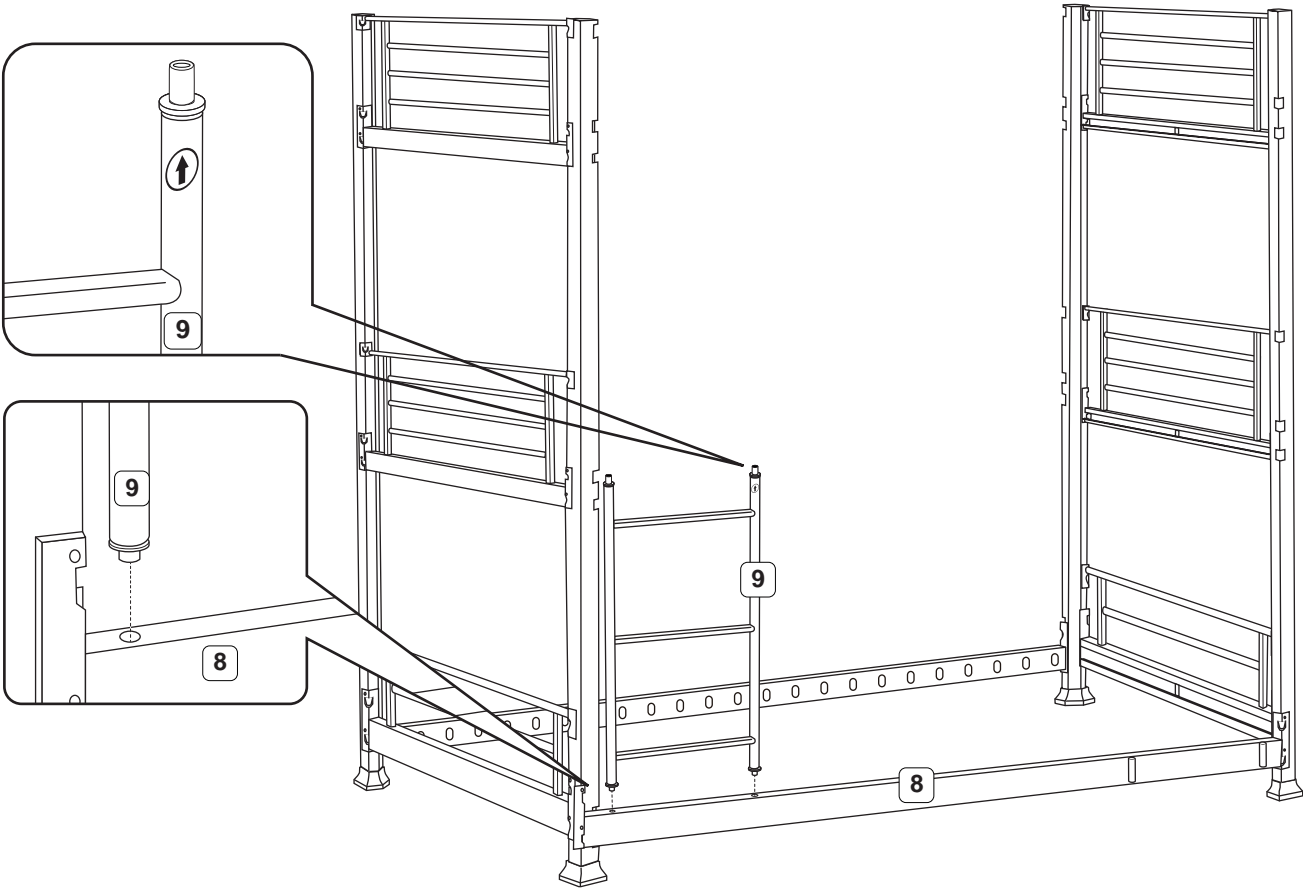
Step 4



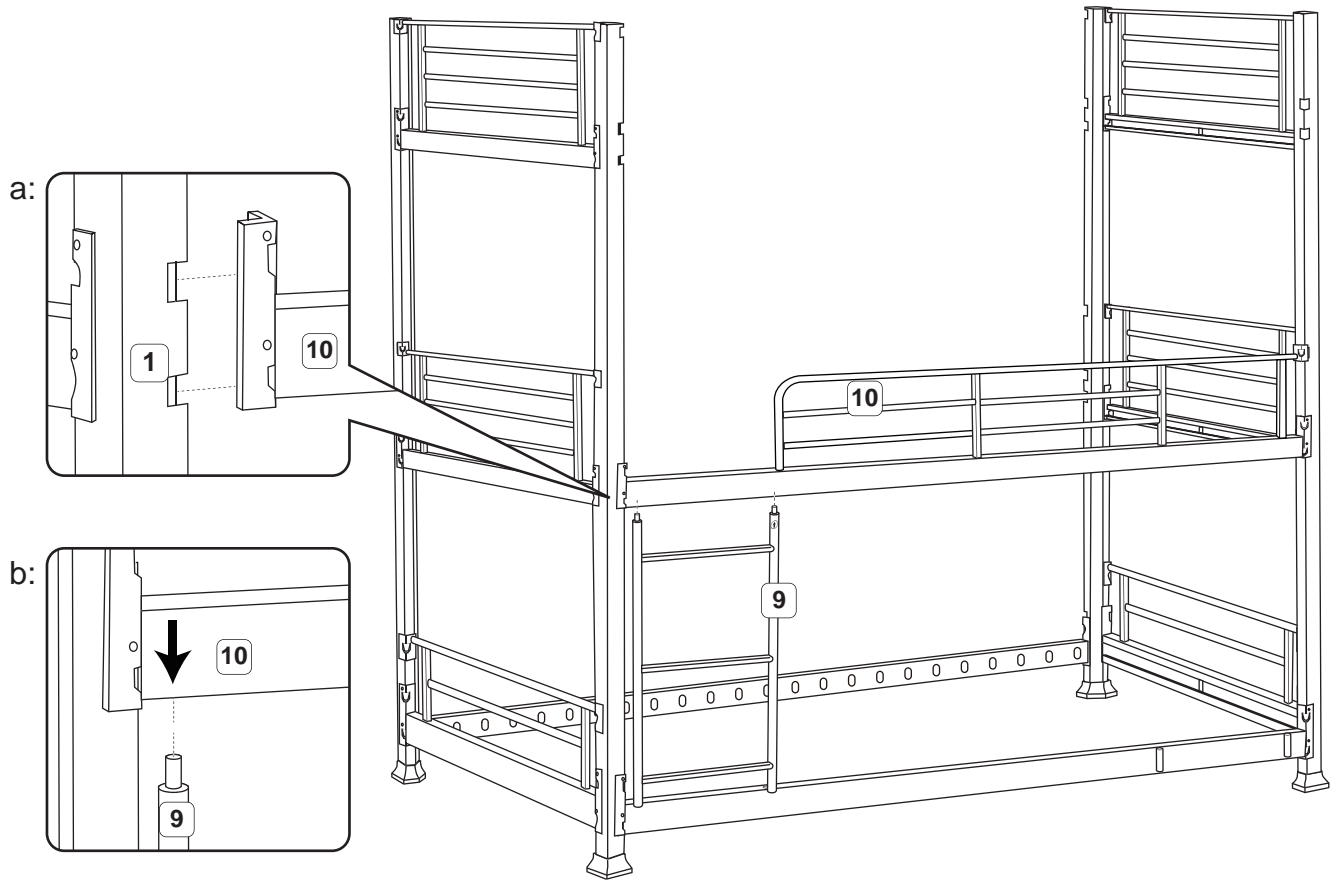
Step 5



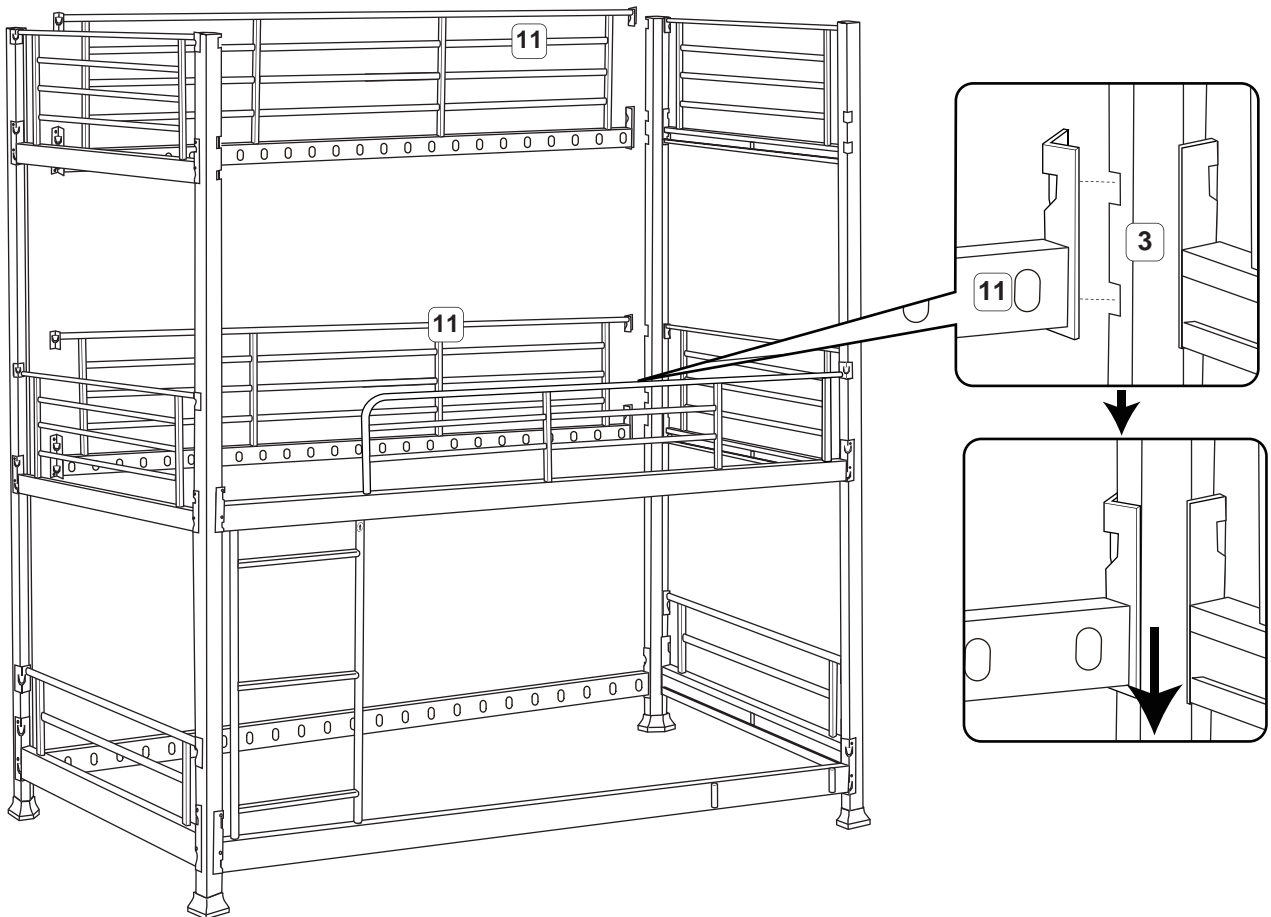
Step 6



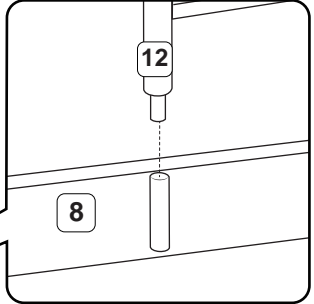
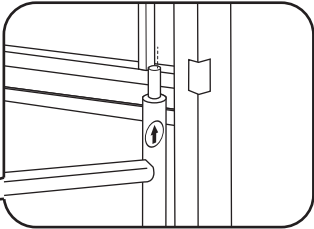
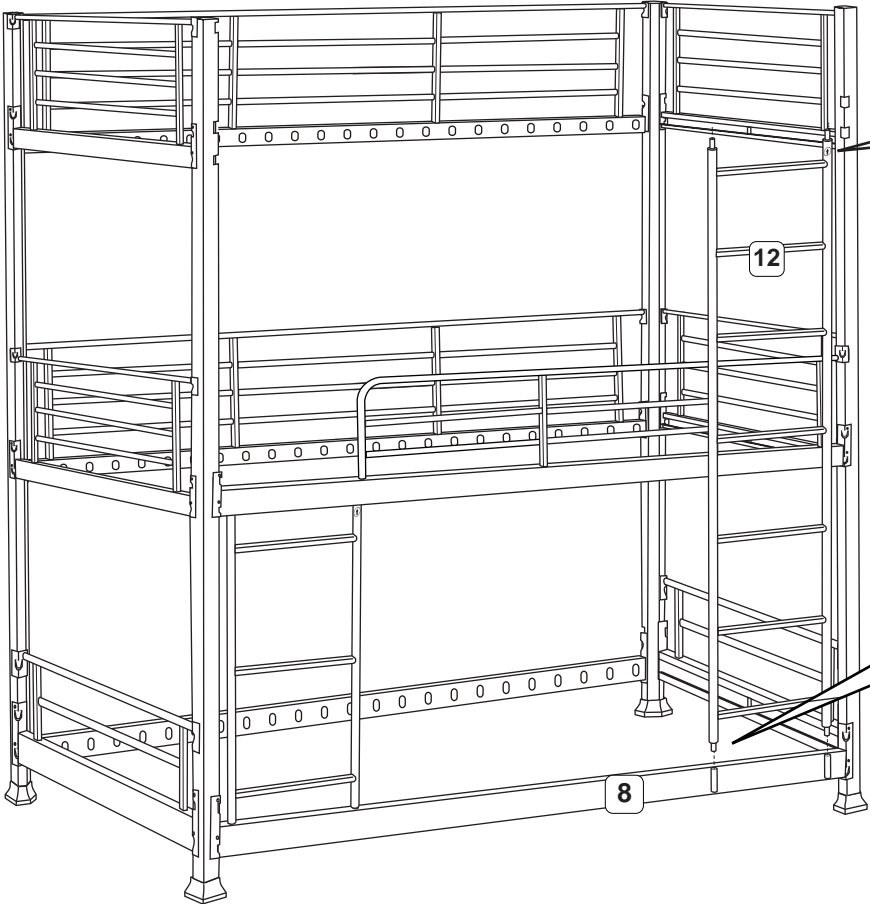
Step 7



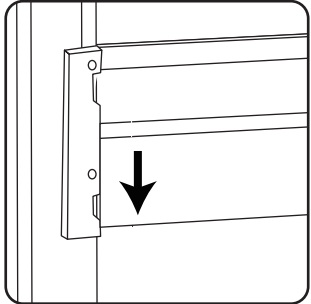
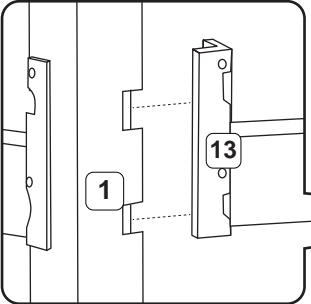
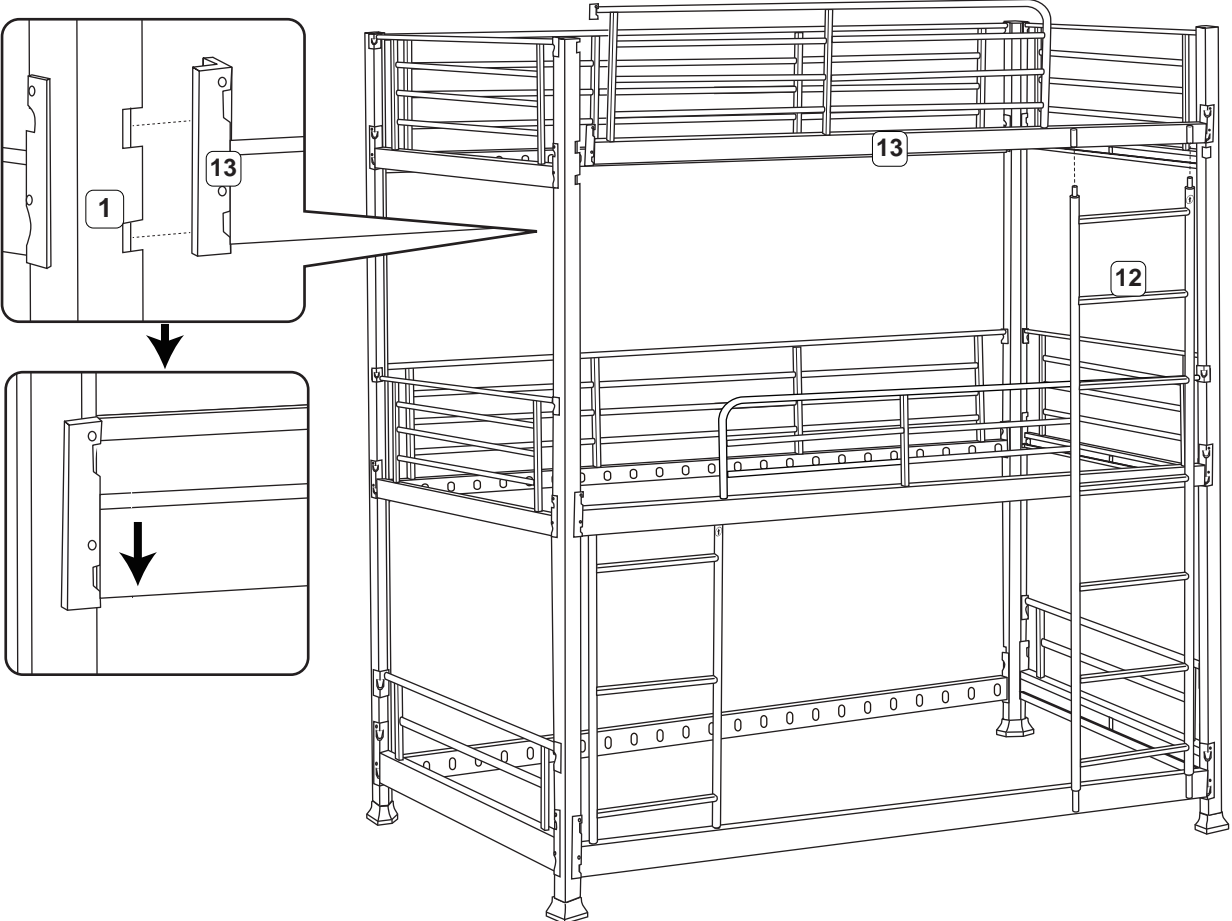
Step 8



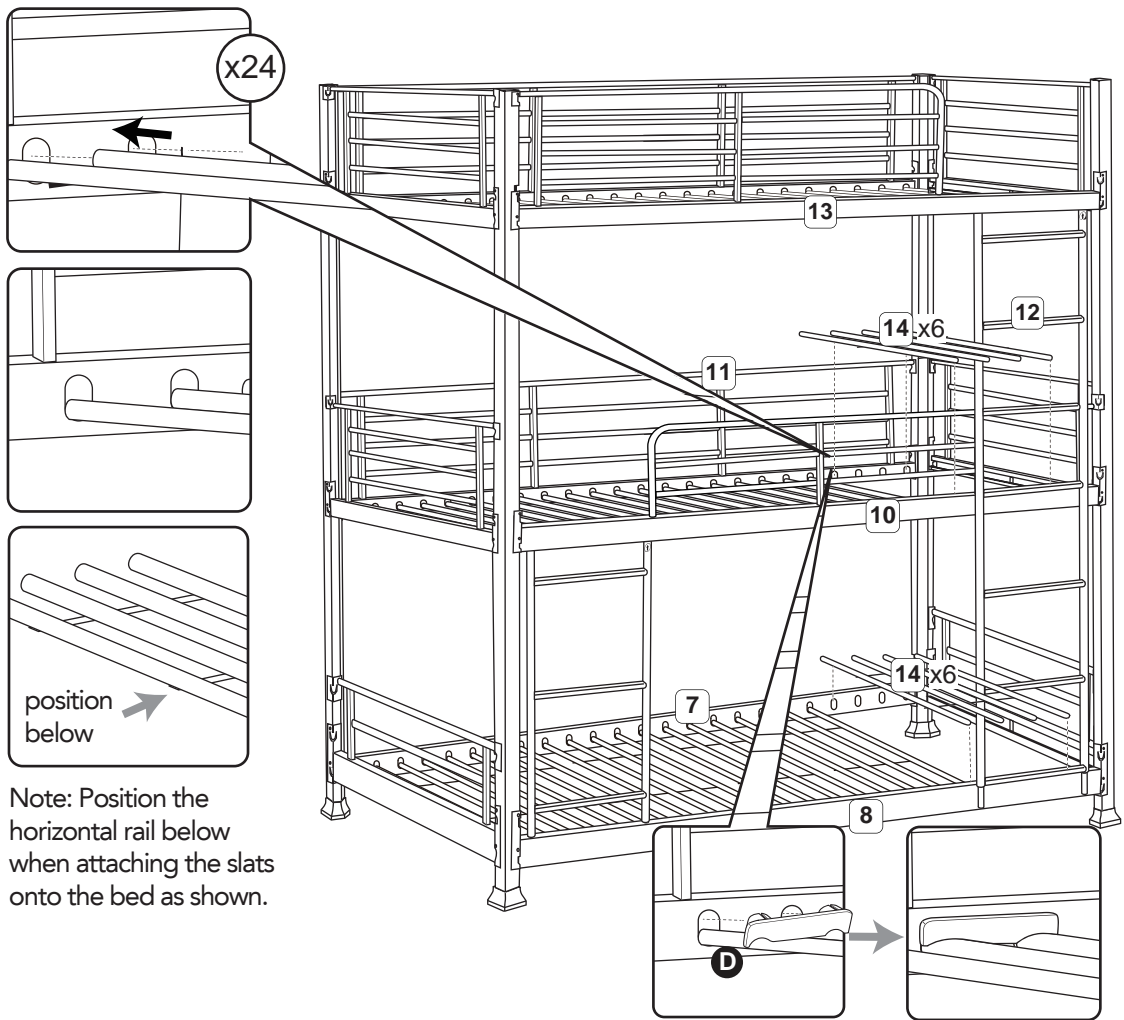
Step 9



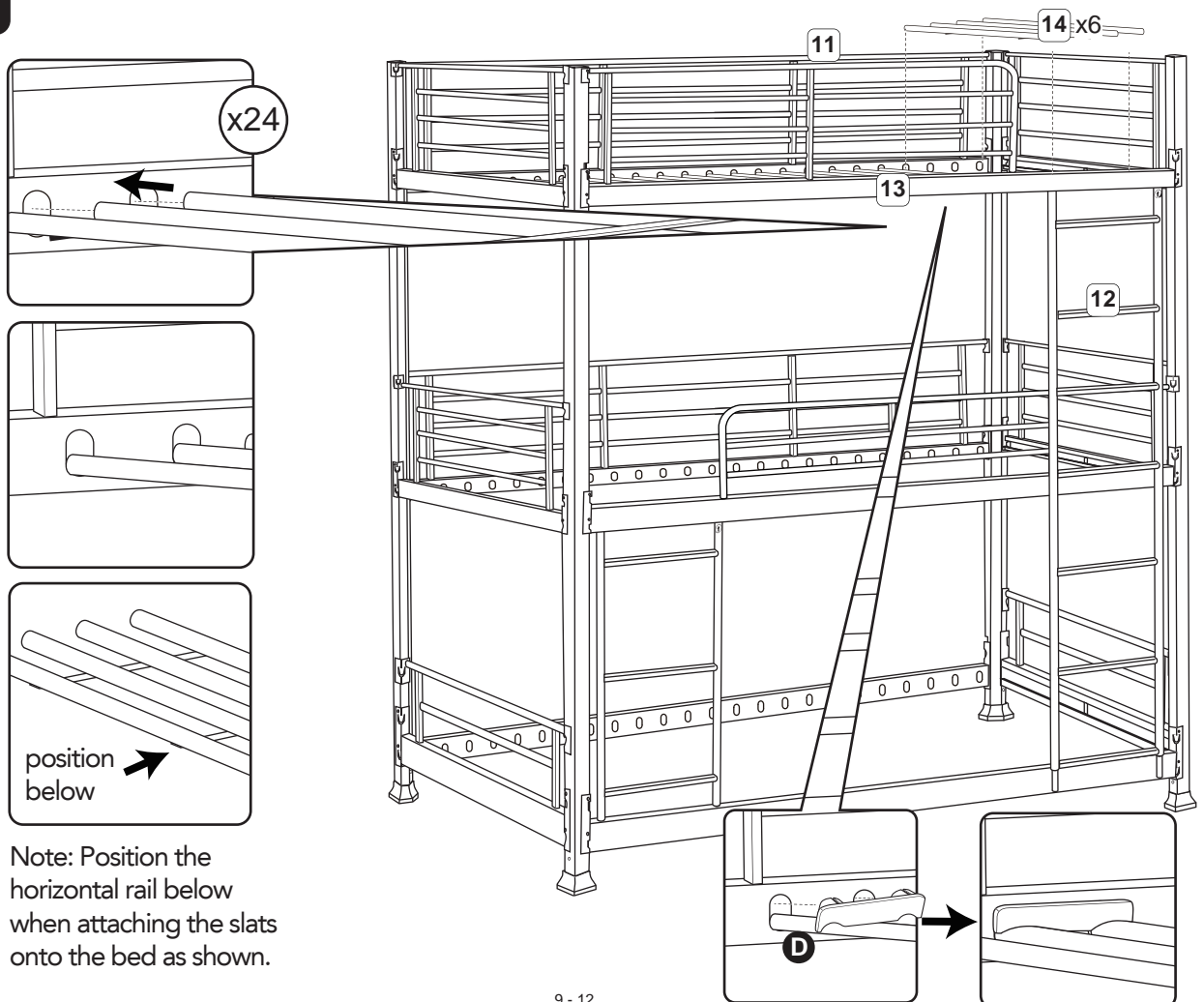
Step 10



Step 11

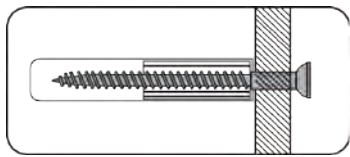


Step 12



Wall fixings

Step by step



Important

When drilling into walls always check there are no hidden wires or pipes etc. Make sure that the screws and wall plugs being used are suitable for supporting your unit. Consult a qualified tradesperson if you are unsure.

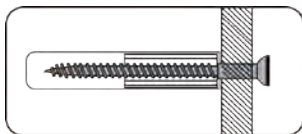
Hints

1. General Rule; Always use a larger screw and wall plug if you are not sure.
2. Ensure you use the recommended drill bit to match the wall plug and hole size.
3. Ensure you drill the hole horizontally, do not force the drill or enlarge the hole.
4. Take extra care when drilling high walls, ceilings and ceramic tiles. Ensure the plug is fitting below the ceramic tile to avoid splitting or cracking.
5. Ensure wall plugs are well fitted and are a tight fit in the drilled hole.

Types of Walls

You can use one of the following types of wall plug if your walls are made of brick, breeze block, concrete, stone, wood or plastic board.

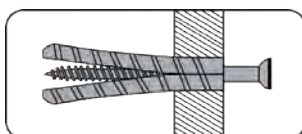
1. STANDARD Wall Plug General wall materials



These come in various sizes and are made from plastic or sometimes wood fibre.

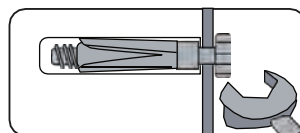
2. GENERAL PURPOSE Wall Plug

Aerated/Breeze block



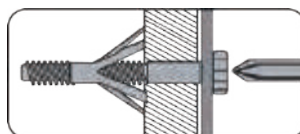
Generally aerated blocks should not be used to support heavy loads, use a specialist fitting in this case. For light loads, a General Purpose Plug can be used.

3. SHIELD ANCHOR Wall Plug Heavy loads



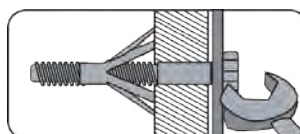
For use with heavier loads such as TV & Hi-Fi Speakers and Satellite Dishes etc.

4. CAVITY FIXING Wall Plug



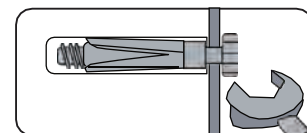
For use with plaster board partitions or hollow wooden doors.

5. CAVITY FIXING HEAVY DUTY Wall Plug



For use with plaster board partitions or hollow wooden doors.

6. HAMMER FIXING Wall Plug



For use with walls stuck with plaster board. The hammer fixing allows it to be fixed to the wall rather than the plaster board. Always check the fixing is secure to the retaining wall.

Care and Maintenance



Safety

Always check the fitting and location to ensure your safety in and around the home.



Fitting

From time to time check the fitting to ensure the wall plugs or screws do not become loose.

Wall fixings

- This wall fixing is provided for your safety and we recommend that once in position the unit is secured to the wall for extra stability.
- Wall fixings may vary depending on item of furniture purchased.
- Wall fittings are not provided as different wall types require different raw plugs and screws.
- Please ensure that you use fittings that are suitable for your wall type (see next page for a general guide).
- Please ensure that the head of the screws used has a diameter greater than the diameter of the hole on the wall fixing and that the fixing is safe and secure before using.
- When drilling into the walls, always ensure there are no hidden wires or pipes.
- If you are unsure, we recommend you consult a qualified Trades person.

WARNINGS:

IMPORTANT: READ CAREFULLY

RETAIN FOR FUTURE REFERENCE

- **WARNING:** High beds and upper bed of bunk beds are not suitable for children under six years due to the risk of injury from falls.
- **WARNING:** Bunk beds and high beds can present a serious risk of injury from strangulation if not used correctly. Never attach or hang items to any part of the bunk bed that are not designed to be used with the bed, for example, but not limited to ropes, strings, cords, hooks, belts and bags.
- **WARNING:** Children can become trapped between the bed and the wall, a roof pitch, the ceiling, adjoining pieces of furniture (e.g. cupboards) and the like. To avoid risk of serious injury the distance between the top safety barrier and the adjoining structure shall not exceed 75mm or shall be more than 230mm.
- **WARNING:** Do not use the bunk bed/high bed if any structural part is broken or missing.
- Always follow the manufacturer's instructions.
- The recommended size of the mattress is L1900 x W900mm.
- Ventilation of the room is necessary in order to keep the humidity low and to prevent mould in and around the bed.
- Assembly instructions including a list of the parts supplied and details of any tools required to assemble the bed are included in the pack.
- The maximum thickness of the mattress is 160mm. Mattress maximum thickness marking on the product are found on the post.
- Check regularly that all assembly fastenings are properly tightened.
- Never allow a child of under 6 years on upper bunk.
- Ensure that the silver buttoned spring clips are **INSIDE** the rails **BEFORE** fixing the plastic securing clips.
- Ensure that the plastic clips are fully in to secure the slats – double check them all before using the bunk.
- This bed complies with EN747-1:2012 + A1:2015/EN747-2:2012+A1:2015.
- **PLEASE NOTE:** If your bed legs are placed onto a wooden floor, or any type of flooring that is deemed as 'slippery', it is your responsibility to ensure that the protective rubber or plastic on the base of any legs associated with the bed frame have not worn away. Unless your bed frame is physically fixed to the floor in any way, it is highly likely your bed frame will move as you enter and leave your bed.
- If you find that upon checking the legs the rubber or plastic has worn away, you should ensure that some kind of floor protection is placed underneath the legs, such as adhesive floor pads. We highly recommend using floor protection pads with a high adhesion level.