

ASSEMBLY INSTRUCTIONS

BS EN747-1:2012+A 1:2015 SAFETY WARNING AND GENERAL NOTES: IMPORTANT - READ CAREFULLY - RETAIN FOR FUTURE REFERENCE

PLEASE READ this sheet prior to assembly to familiarise yourself with the various stages of construction. Carefully open the pack supplied and check the contents against the parts and fitting check list. Do not destroy any of the packing until you are certain that you have all the necessary parts for assembly.

CAUTION: There are small components used in the construction of this unit. These loose items should be kept away from young children whilst assembling your unit to avoid the danger of choking hazards.

WARNING:

- Due to the size of this product we recommend that it is assembled in the room intended for use.
- This product should only be used on firm, level ground.
- DO NOT** use power tools to construct this product.
- DO NOT** over tighten the screw or bolts.
- DO NOT** tighten screws until the product is fully assembled.
- DO NOT** use solvent based cleaners or detergents as this can bleach and caused damages.
- Never use scourer, abrasives or chemical cleaners, only clean with sponge wipe and warm soapy water.
- High beds and the upper bed of the bunk beds are not suitable for children under six years due to the risk of injury from falls;
- Bunk beds and high beds can be present a serious risk of injury from strangulation if not used correctly. Never attach or hang items to any part of the bunk bed that are not designed to be used with the bed, for example, but not limited to ropes, strings, cords, hooks, belts and bags;
- Children can be trapped between the bed and wall, a roof pitch, the ceiling, adjoining pieces of furniture (e.g. cupboards) and the like. To avoid risk of serious injury the distance between the top safety barrier and the adjoining structure shall not exceed 75mm or shall be more than 230mm;
- Instructions regarding positioning and connection of the means of access;
- Do not use the bunk bed/high bed if any structural part are missing, damaged or worn;
- Always follow the manufacturer's instruction
- Ensure thickness of mattress below the mark that had been made at the entrance of the upper bunk.
- Ensure the ventilation of the room is necessary in order to keep the humidity low and to prevent, mould in and around the bed.
- Ensure the support legs remain in contact with the ground at all times, and always use the ladder for entering and leaving the high bed and upper bunk.
- Ensure all screws or bolts are tightened and inspect regularly.
- Recommended size of top mattress 190(L) X 90(W) cm.

- Recommended size of bottom mattress 190(L) X 90(W) cm.

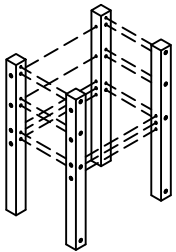
- Thickness of mattress 12-20 cm.



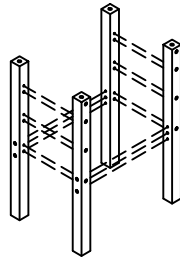
Assembly Instructions

Moderna Bunk Bed

Part in Box 1



(A) Upper Post x 4

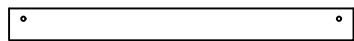


(B) Lower Post x 4

Part in Box 2

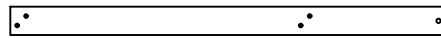


(C) Up.&Lw.Top Panel x 4



(D) Up.&Lw.Mid.& Bottom Panel x 8

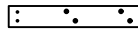
Part in Box 3



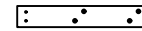
(E) Front Upper Guardrail x 2



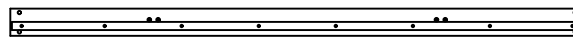
(F) Back Upper Guardrail x 2



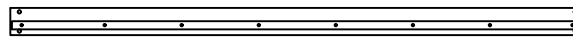
(G) Front Guardrail Spindle x 2



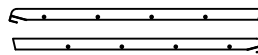
(H) Back Guardrail Spindle x 2



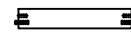
(I) Upper Side Rail x 2



(J) Lower Side Rail x 2

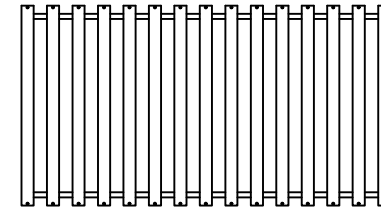


(K) Ladder Rail x 2

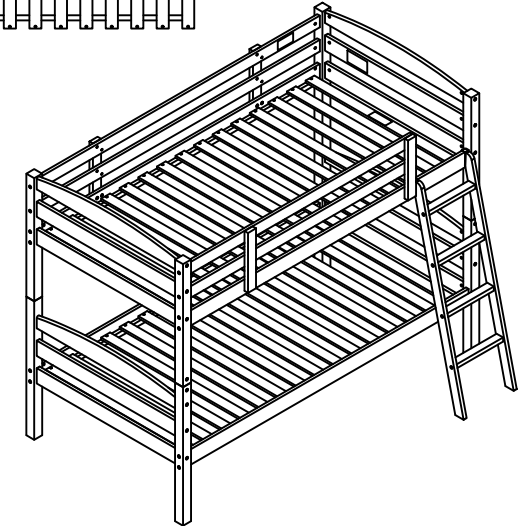


(L) Ladder Steps x 2


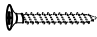

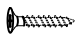



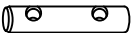
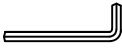
Part in Box 4



(M) Set of Slats x 2



Hardware List

1.	JCBC M6 x 90mm		x 46	5.	Chipboard Screw M4 x 25mm		x 76
2.	JCBC M6 x 35mm		x 24	6.	Chipboard Screw M4 x 16mm		x 2
3.	M6 x 15mm Barrel Nut		x 46	7.	Wood Button 11.5mm		x 4
4.	Wood Dowel M10 x 40mm		x 40	8.	Metal Pin M10 x 100mm		x 4
9.	M4 Allen Key		x 1				

Tool required for assembly :

- * Allen Key (supplied)
- * Phillips Screwdriver (not supplied)



WARNING !!

- This package contains small parts. Keep away from children until assembly.
- Adult assembly required.
- Phillips head screw driver required.
- Instructions are generic. Figures may vary.
- Screws left after assembly should be kept out of reach of children.
- ' Be aware of the danger of young children (under 6) falling from the upper bunk. '
- The top of the mattress shall not come above the line marked on the bed.

Assembly Instructions

Moderna Bunk Bed

2/9



THIS BUNK BED COMPLIES
WITH THIS STANDARD
BS EN 747-1:2012+A1:2015



WARNING

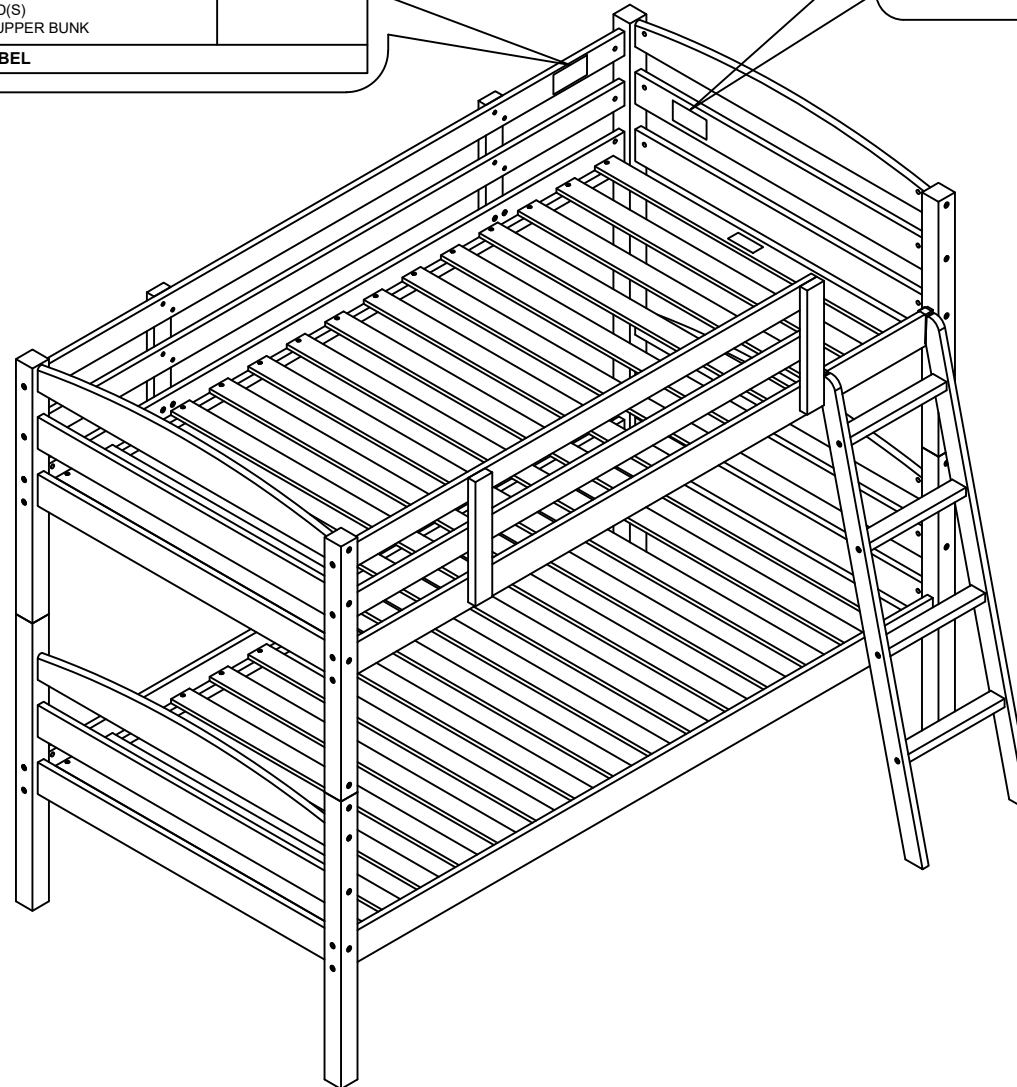
TO HELP PREVENT SERIOUS OR FATAL INJURIES FROM ENTRAPMENT OR FALLS

- THIS UPPER BED IS NOT SUITABLE FOR CHILDREN UNDER 6 YEARS
- ENSURE ALL CONNECTOR ARE TIGHT
- USE THE CORRECT SIZE MATTRESS SPECIFIED
- USE LADDER FOR ENTERING AND LEAVING UPPER BUNK
- USE GUARDRAILS ON BOTH SIDES OF UPPER BUNK
- PROHIBIT HORSEPLAY ON OR UNDER BED(S)
- PROHIBIT MORE THAN ONE PERSON ON UPPER BUNK

Name:
WOODY MFG

DO NOT REMOVE THIS LABEL

**MATTRESS MUST NOT
COME ABOVE THIS LEVEL**







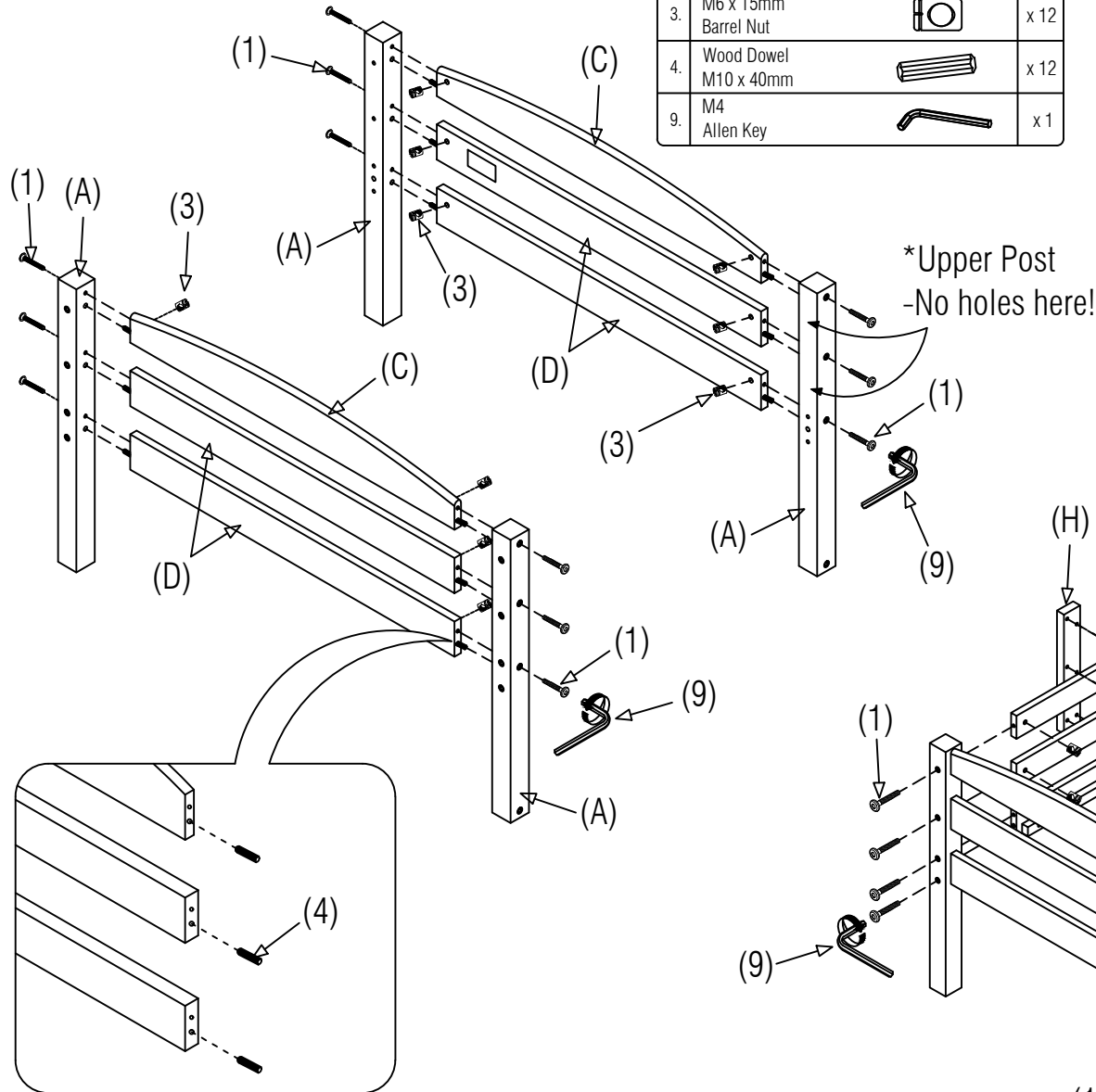
Sticker position

Assembly Instructions





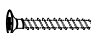

Moderna Bunk Bed

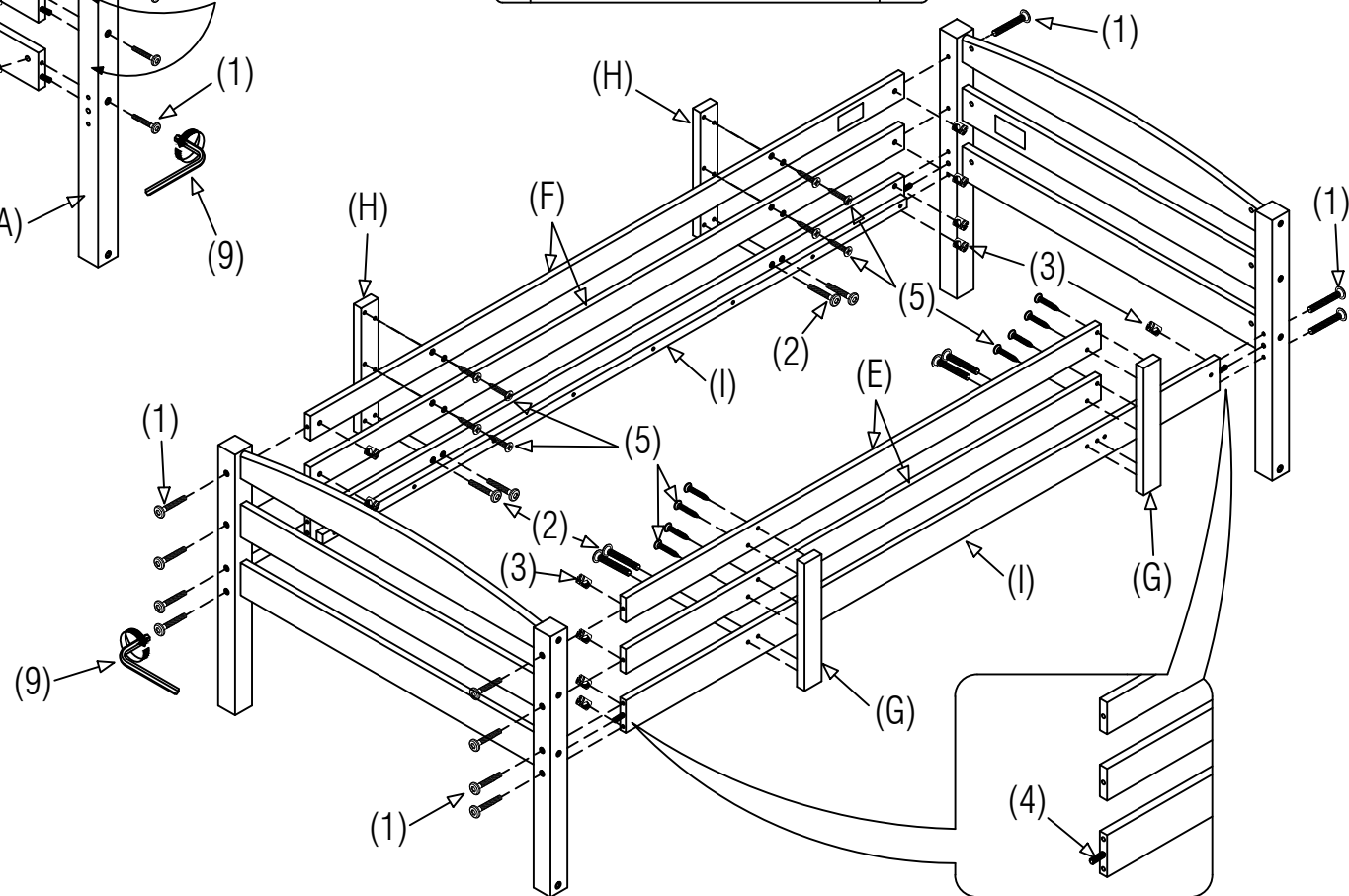
1 Assemble the Upper Bunk End Frames.

1.	JCBC M6 x 90mm		x 12
3.	M6 x 15mm Barrel Nut		x 12
4.	Wood Dowel M10 x 40mm		x 12
9.	M4 Allen Key		x 1



2 Assemble the Upper Bunk End Frames with the Side Rails (I), Front & Back Guardrails (E&F) and Guardrail Spindle (G&H)





1.	JCBC M6 x 90mm		x 14
2.	JCBC M6 x 35mm		x 8
3.	M6 x 15mm Barrel Nut		x 14
4.	Wood Dowel M10 x 40mm		x 4
5.	Chipboard Screw M4 x 25mm		x 16
9.	M4 Allen Key		x 1







Assembly Instructions

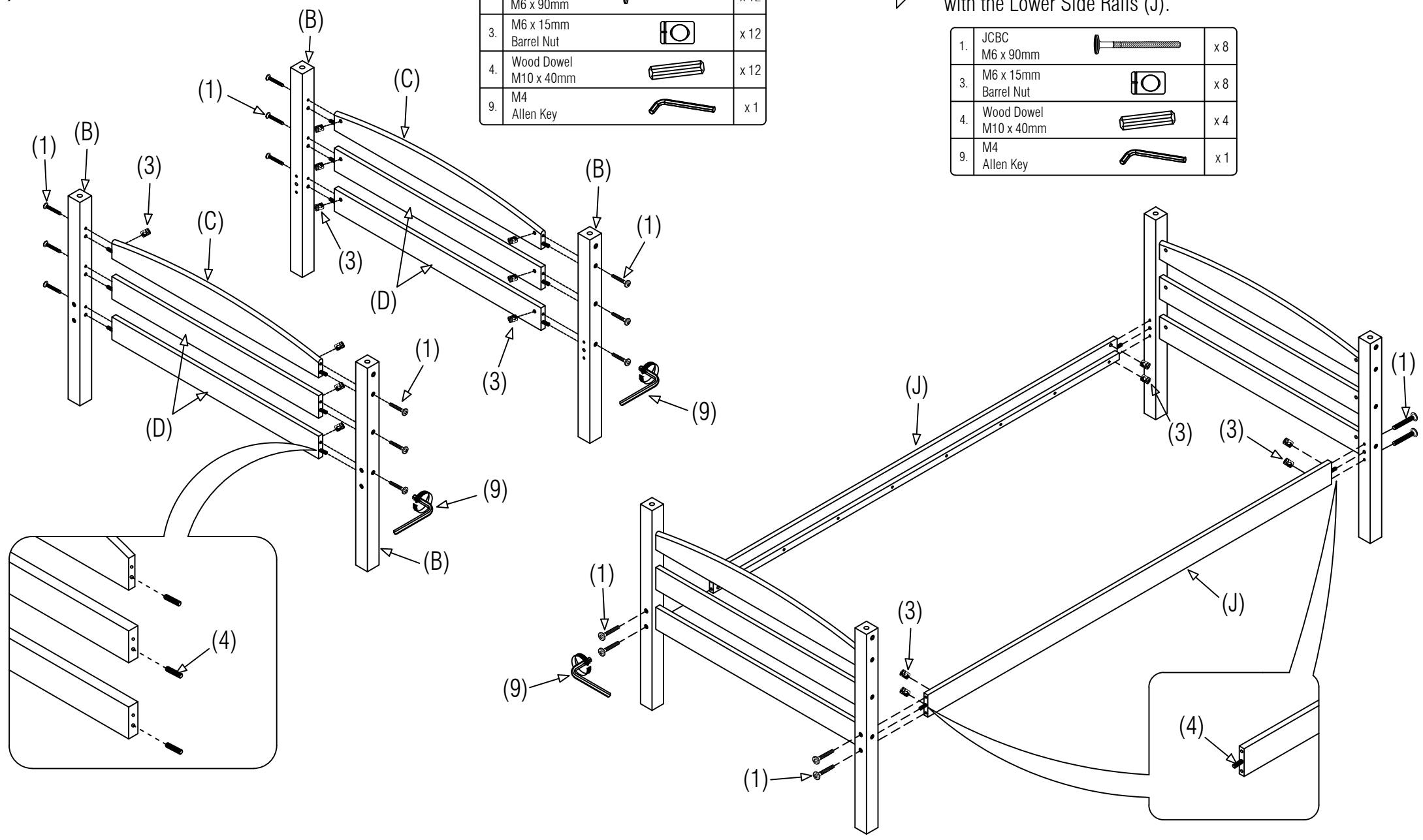
Moderna Bunk Bed

3 Assemble the Lower Bunk End Frames.

1.	JCBC M6 x 90mm		x 12
3.	M6 x 15mm Barrel Nut		x 12
4.	Wood Dowel M10 x 40mm		x 12
9.	M4 Allen Key		x 1

4 Assemble the Lower Bunk End Frames with the Lower Side Rails (J).

1.	JCBC M6 x 90mm		x 8
3.	M6 x 15mm Barrel Nut		x 8
4.	Wood Dowel M10 x 40mm		x 4
9.	M4 Allen Key		x 1

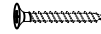


Assembly Instructions

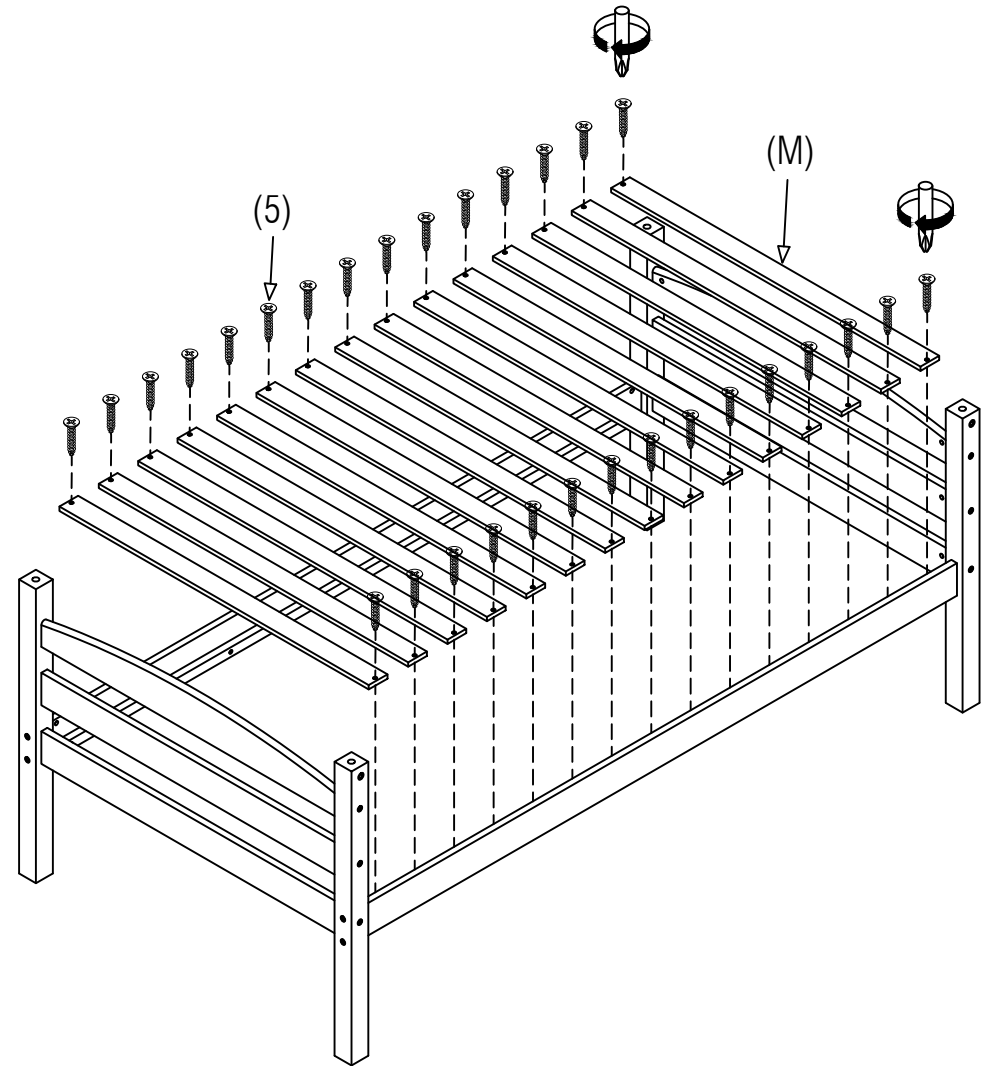
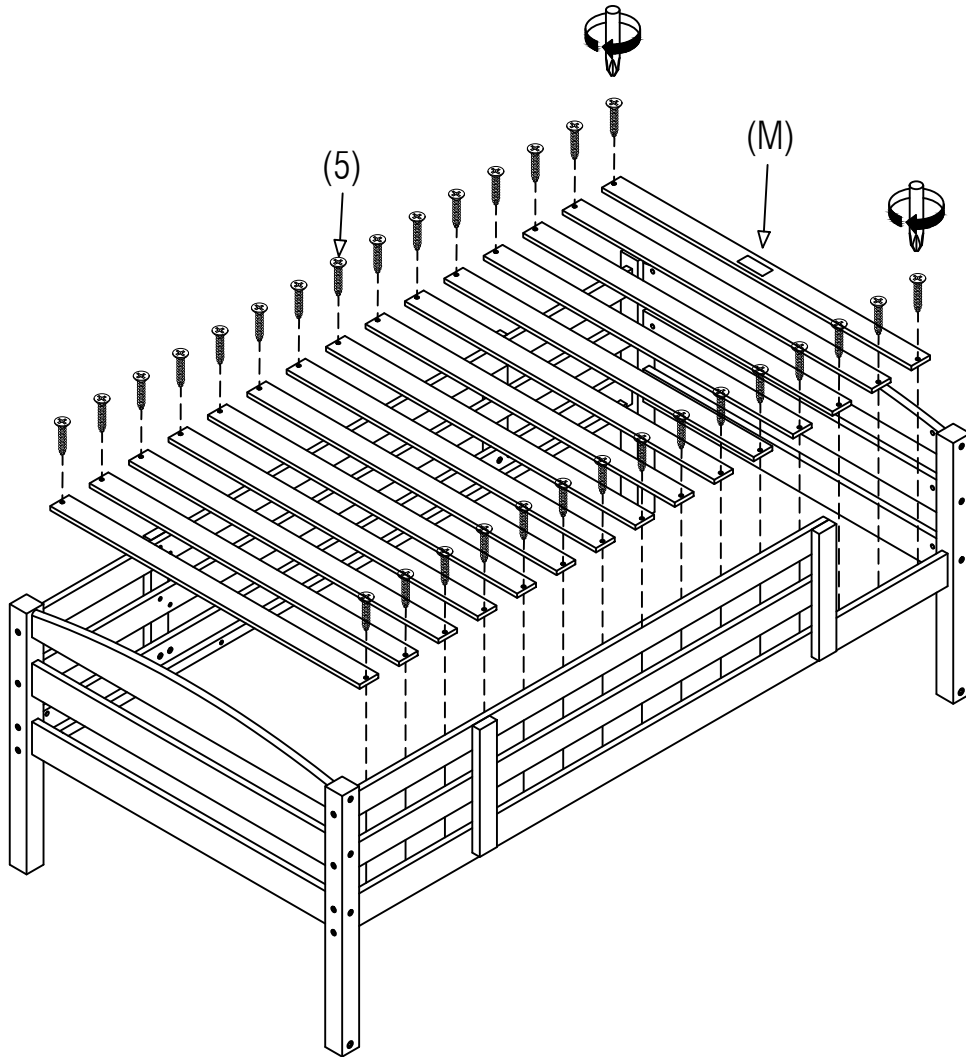
Moderna Bunk Bed

5 Assemble the Slat (M) to the Upper & Lower Bunk

5. Chipboard Screw
M4 x 25mm






x 60

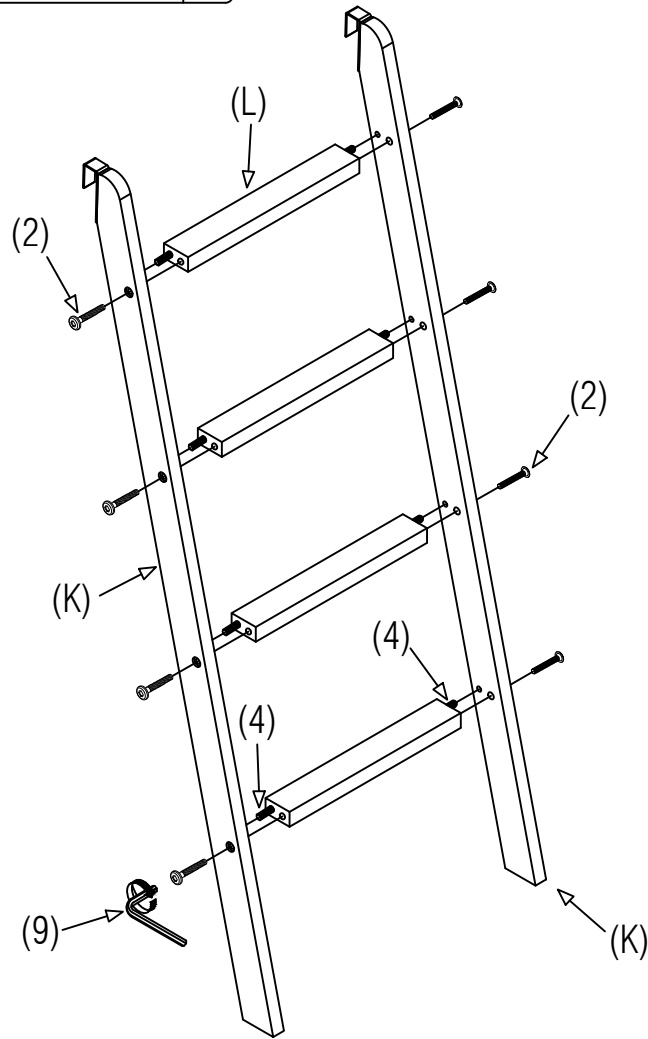


Assembly Instructions


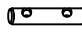
Moderna Bunk Bed

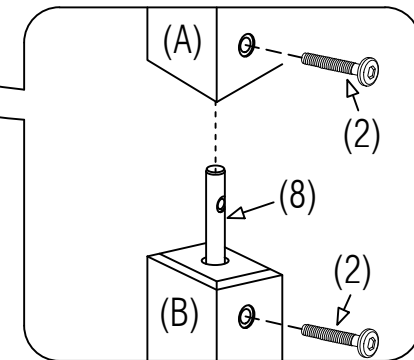
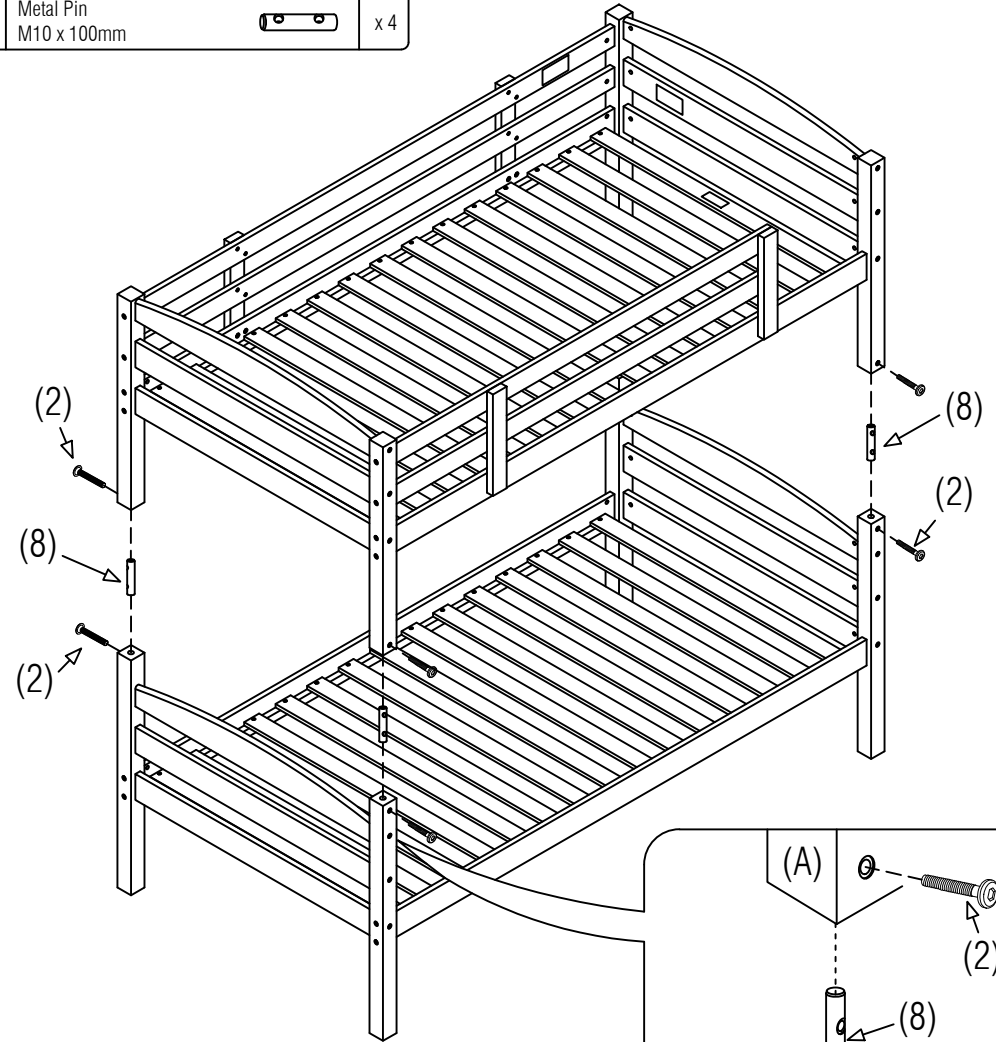
6 Assemble the Ladder (K&L)

2.	JCBC M6 x 35mm		x 8
4.	Wood Dowel M10 x 40mm		x 8
9.	M4 Allen Key		x 1



7 Join the Upper & Lower Bunk

2.	JCBC M6 x 35mm		x 8
8.	Metal Pin M10 x 100mm		x 4

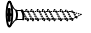


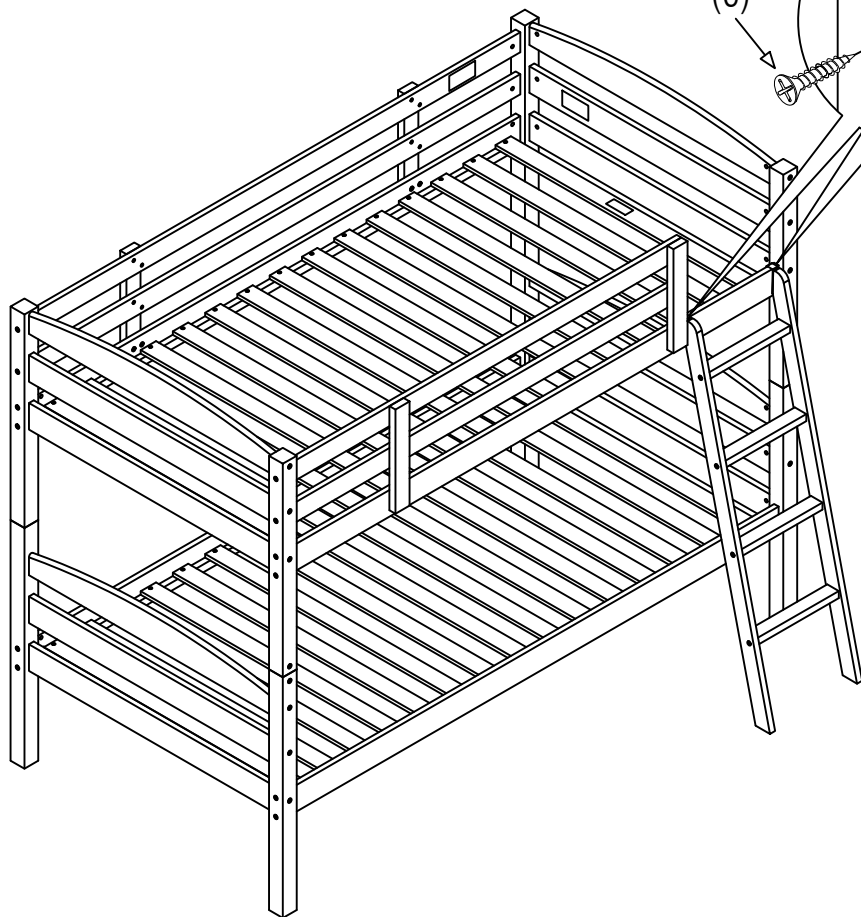
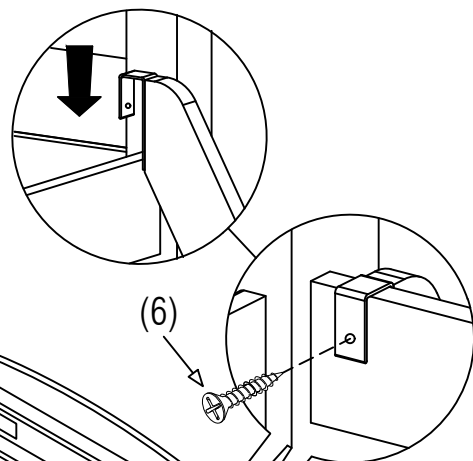
Assembly Instructions

Moderna Bunk Bed


7/9

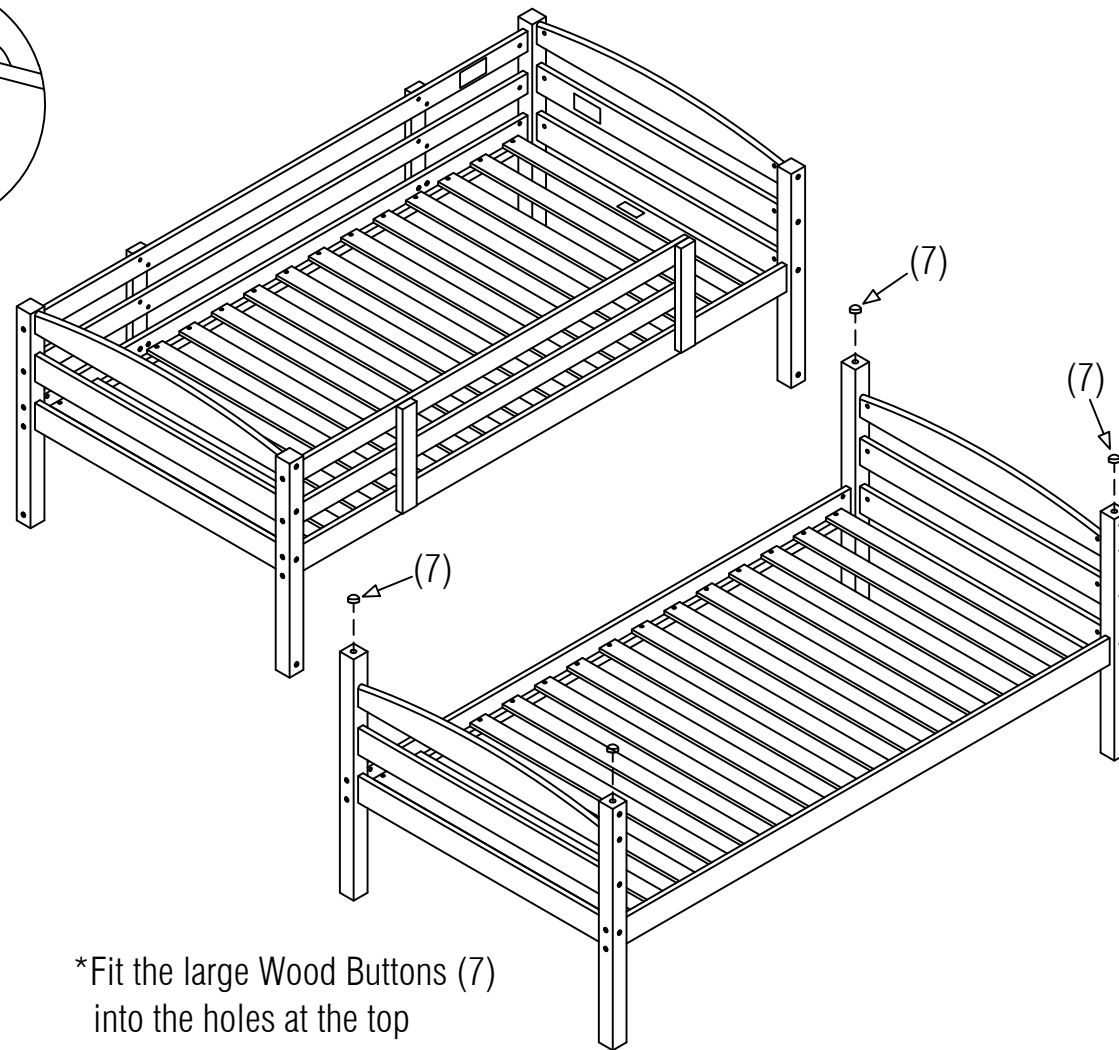
8 Attach the Ladder to Upper Bunk

- | | | | |
|----|------------------------------|---|-----|
| 6. | Chipboard Screw
M4 x 16mm |  | x 2 |
|----|------------------------------|---|-----|



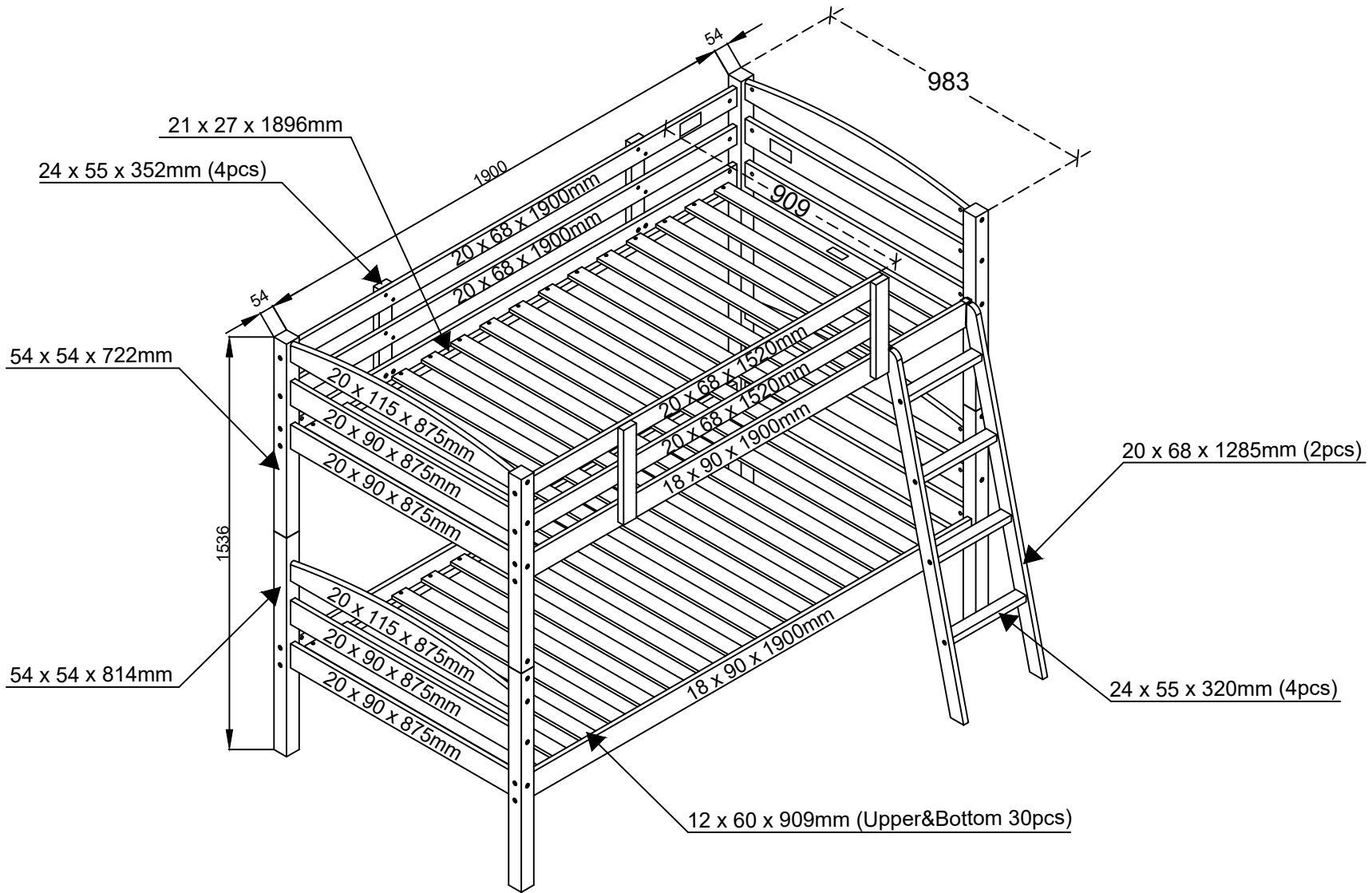
9 Optional use of bunk bed as separate Twin Beds

- | | | | |
|----|-----------------------|---|-----|
| 7. | Wood Button
11.5mm |  | x 4 |
|----|-----------------------|---|-----|



*Fit the large Wood Buttons (7)
into the holes at the top

Assembly Instructions Moderna Bunk Bed



Line drawing with measurement

Assembly Instructions

Moderna Bunk Bed

