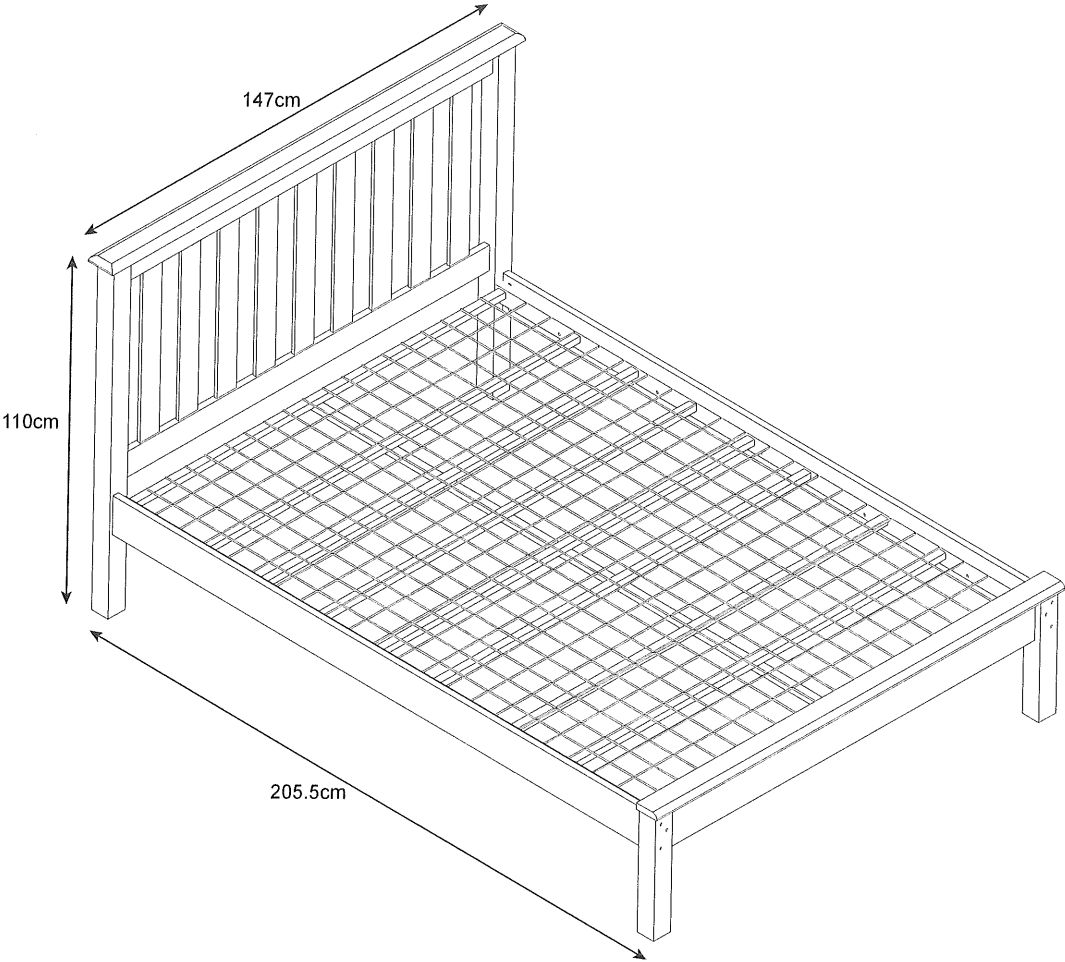
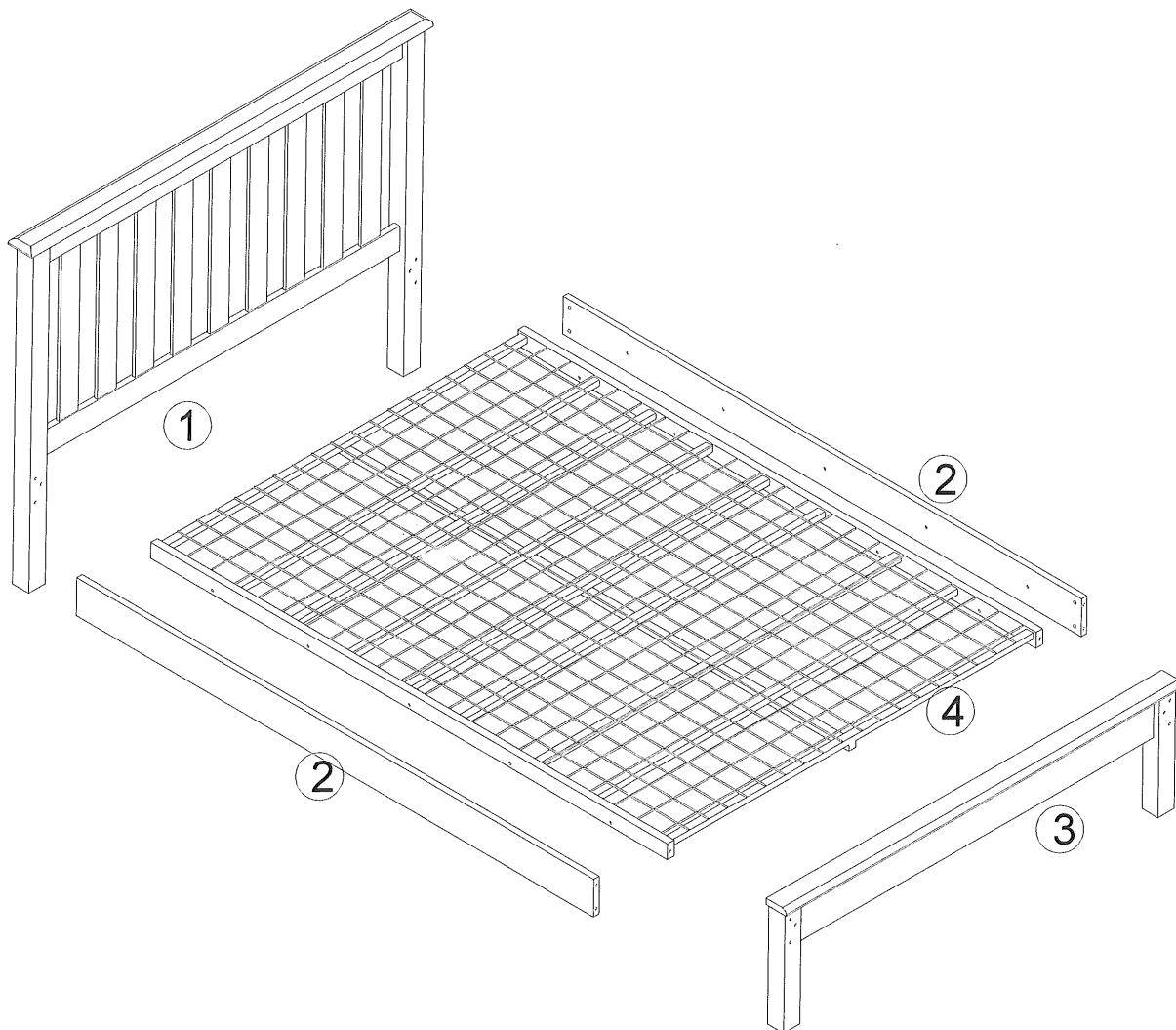


# KIWI 4'6" BED ASSEMBLY INSTRUCTION





6 x 90mm  
A x 12



B x 8



8x40mm  
C x 10



D x 10



E x 12



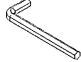


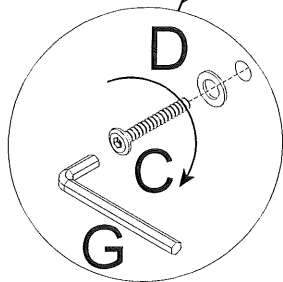
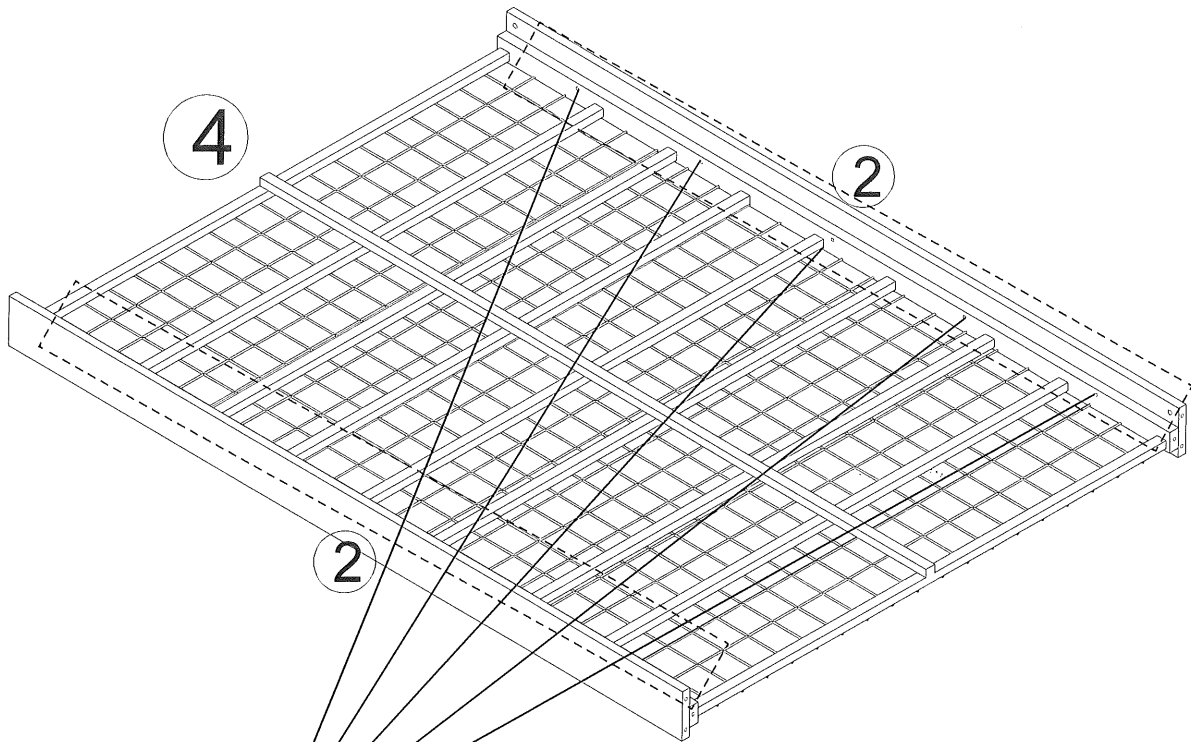
4mm  
F x 1





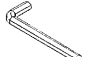
5mm  
G x 1

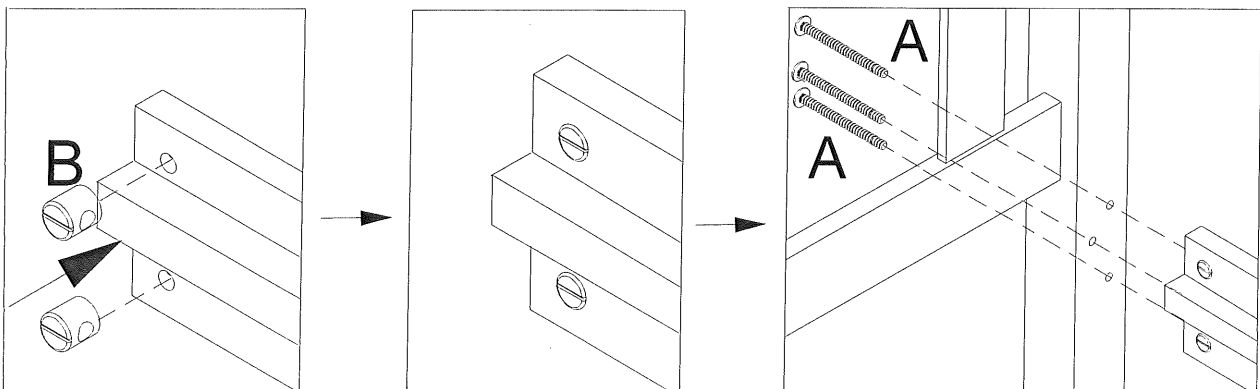
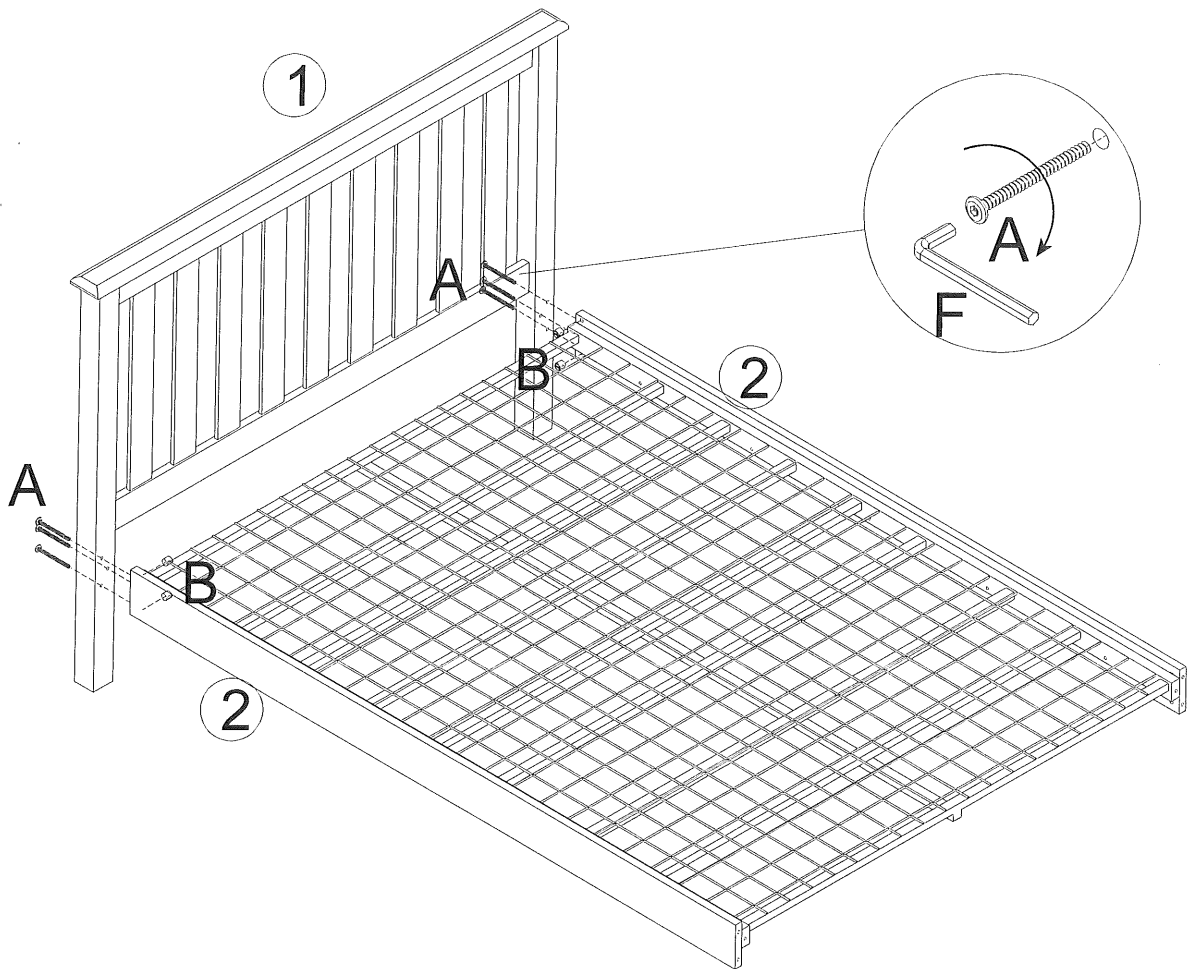
# STEP 1

C		10
D		10
G		1



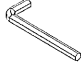


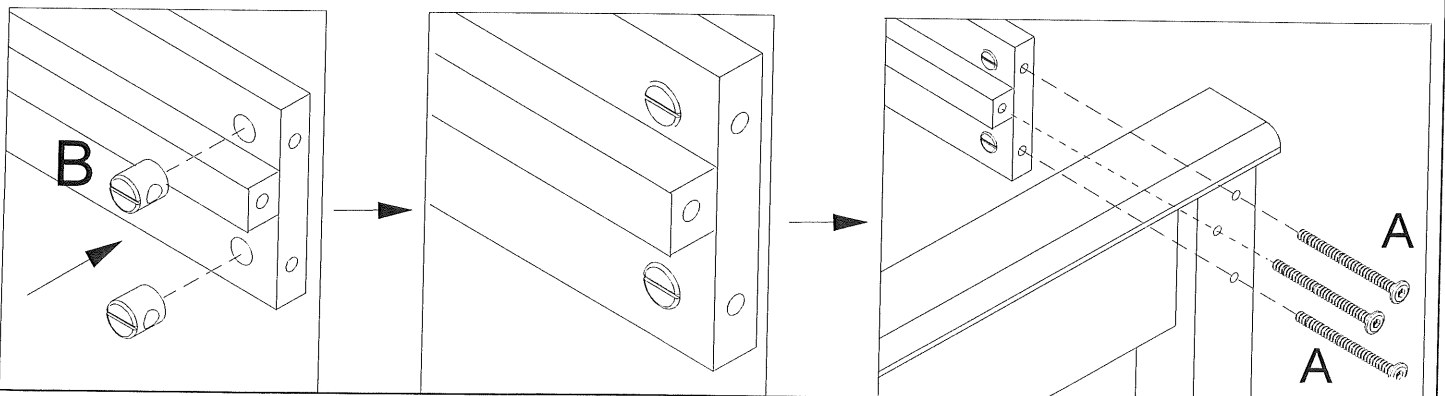
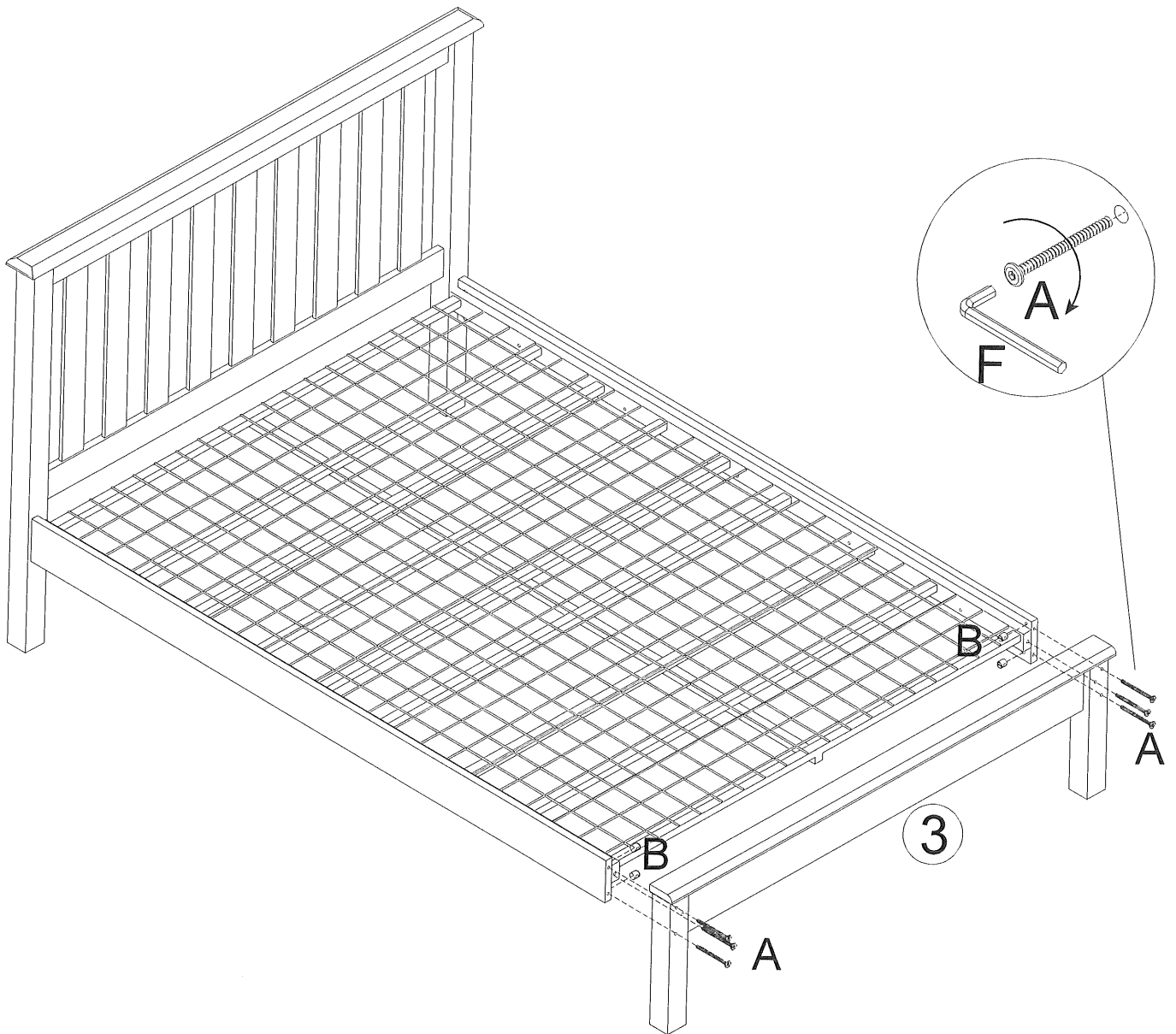
# STEP 2

A		6
B		4
F		1



# STEP 3

A		6
B		4
F		1



# STEP 4

E



12

