



ASSEMBLY INSTRUCTIONS

Endurance Beds: Mesh Base

Visit www.reinforcedbeds.co.uk or

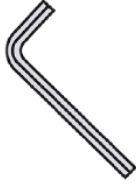
Email us at support@reinforcedbeds.co.uk

for more information.

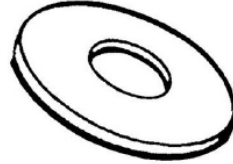
ASSEMBLY INSTRUCTIONS

Please Note: These bed frames are heavy. Please ask for assistance when lifting or moving to avoid injury.

HARDWARE INCLUDED



1 x Allen Key for M8 Bolt



16 x M8 Flat Washers



16 x M8 * 20 mm Bolts

PARTS INCLUDED

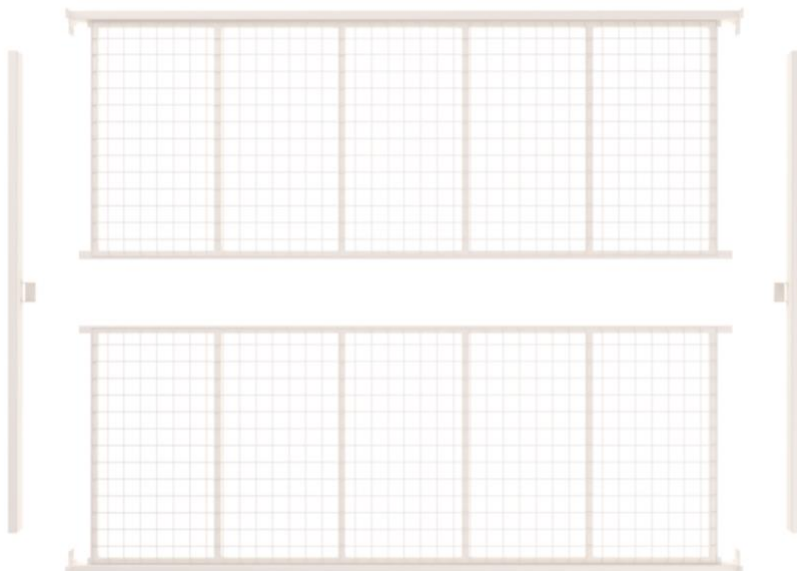
- 2 x Crossbars
- 1 x Headboard
- 1 x Footboard
- 2 x Mesh Bases

INSTRUCTIONS FOR SMALL DOUBLE, DOUBLE, KING AND SUPER KING

FOR SINGLE BEDS - SKIP TO STEP 3.

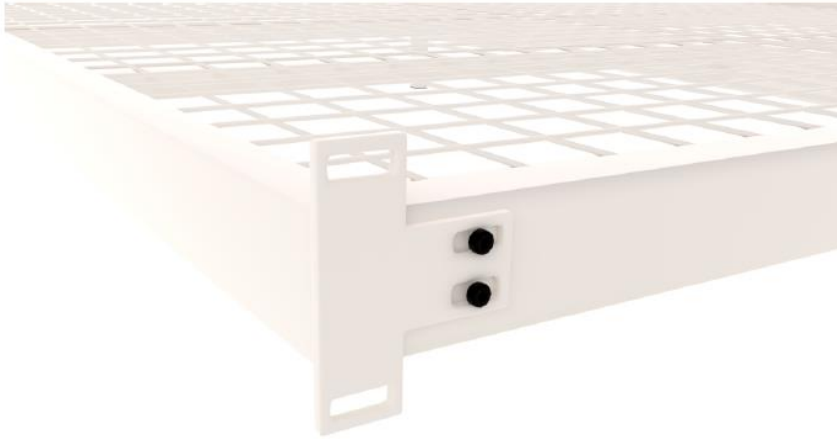
*FOR ASSEMBLING **THE WYOMING BED WITH HEADBOARD BRACKETS** - SEE PAGE 4.*

STEP 1 - LAY OUT PARTS AS SHOWN BELOW.



STEP 2 - ATTACH CROSS BARS TO BRACKETS AS SHOWN BELOW.

THERE ARE: **8 x** (M8 * 20mm BOLTS) + **8 x** (M8 FLAT WASHERS) REQUIRED.



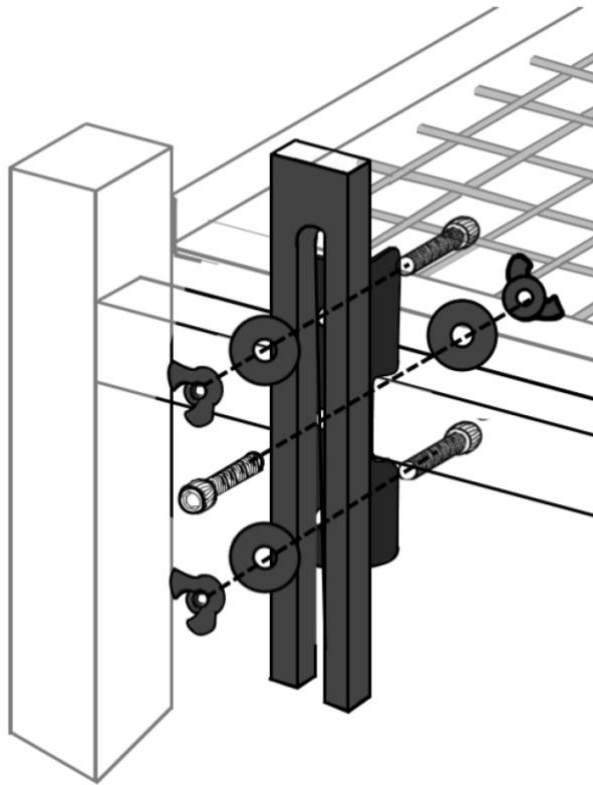
STEP 3 - ATTACH HEAD + FOOTBOARD AS SHOWN BELOW.

THERE ARE: **8 x** (M8 * 20mm BOLTS) + **8 x** (M8 FLAT WASHERS) REQUIRED.



- Occasional re-tightening of fixings required.
- Please dispose of all packaging safely and responsibly.
- Please keep small parts away from children due to choking hazards.

IF YOU ARE ASSEMBLING THE WYOMING BED WITH HEADBOARD BRACKETS, PLEASE NOTE:



FIXINGS NEEDED FOR HEADBOARD BRACKETS:

- 6 x M8 * 40mm Bolts
- 6 x Oversized Washers
- 6 x M8 Wing Nuts
- 1 x Allen Key

TOP AND BOTTOM HOLES IN ORDER FROM FRONT TO BACK

1. Bolt
2. Metal Headboard Bracket
3. Cross Section of Bed Headend
4. Wooden Strut of Headboard
5. Washer
6. Wing Nut

MIDDLE HOLES IN ORDER FROM FRONT TO BACK

1. Wing Nut
2. Washer
3. Cross Section of Bed Headend
4. Metal Headboard Bracket
5. Bolt