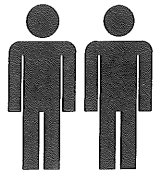


BLACK

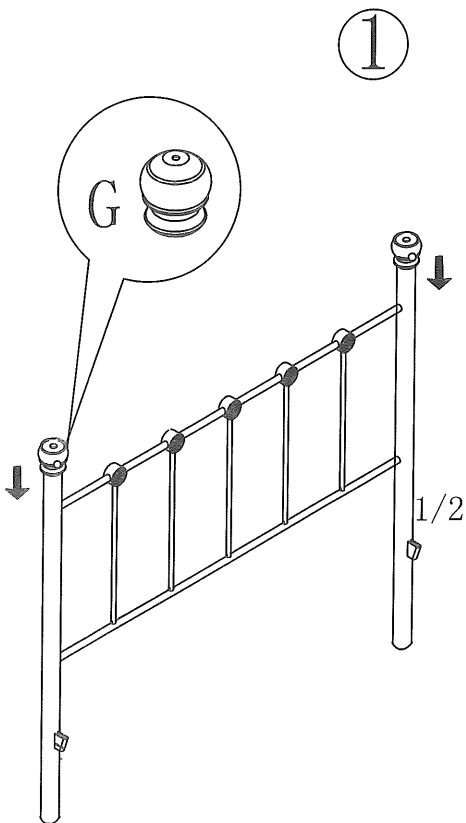
Assembly instructions- Cambridge 4'4'6"/5' Mesh bed

1		2		3			4			
Headboard x1pc		Footboard x1pc		Mattress bed frame x2pcs			Side rail x2pcs			
5	6	A	B	C	D	E	F	G	H	I
horizontal rail x1pc	Arched cross bar x2pcs	Bolt M8x100 4pcs	Bolt M6x40 12pcs	Bolt M6x15 4pcs	insert nut 4pcs	Allen key M5 M4 2pcs	Post Finial 4pcs	Post Cap 4pcs	Leg Cap 4pcs	Centre Finial 2pcs

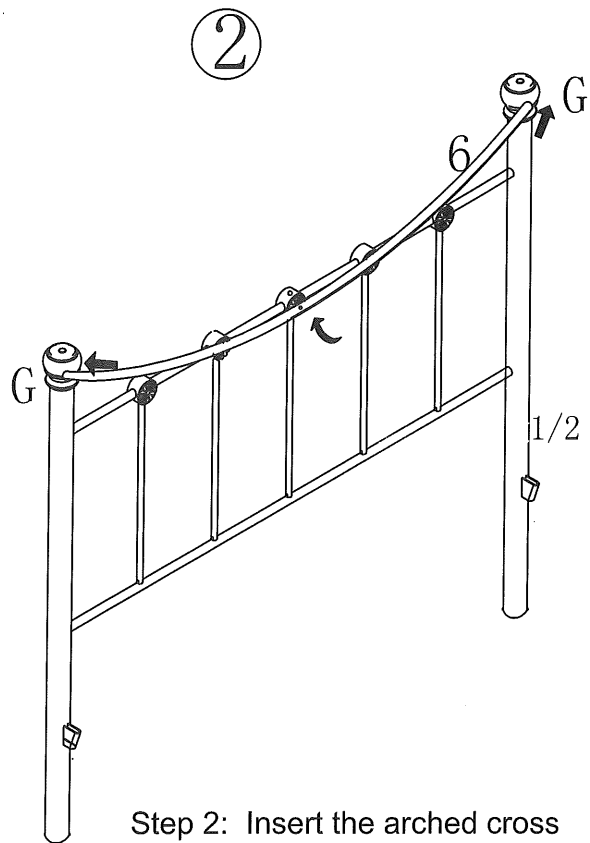
Minimum no. of people recommended to assemble this product:



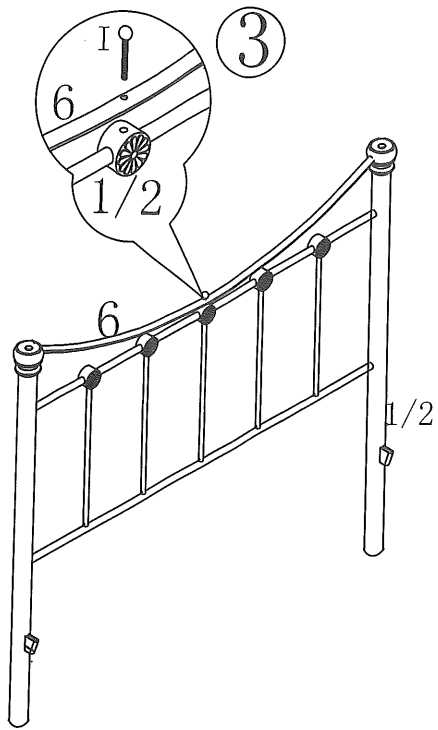
Approx. assembly time:
1 hr 30 mins



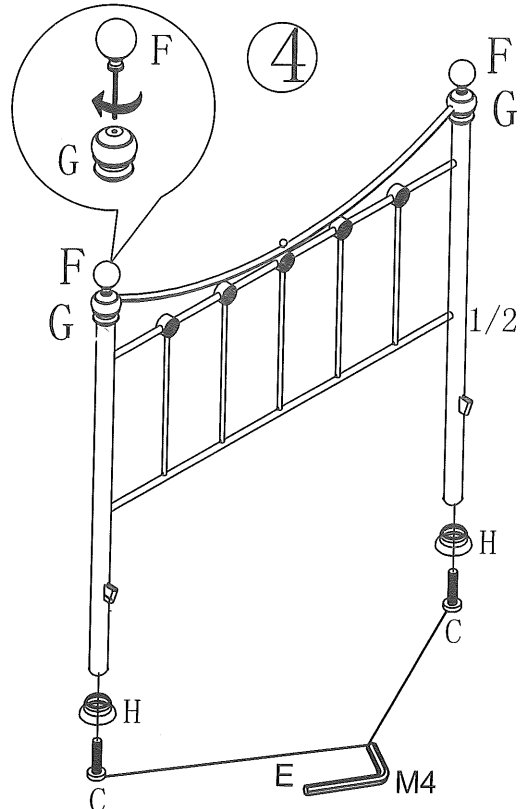
Step 1: assemble the metal finials G on the bed post.



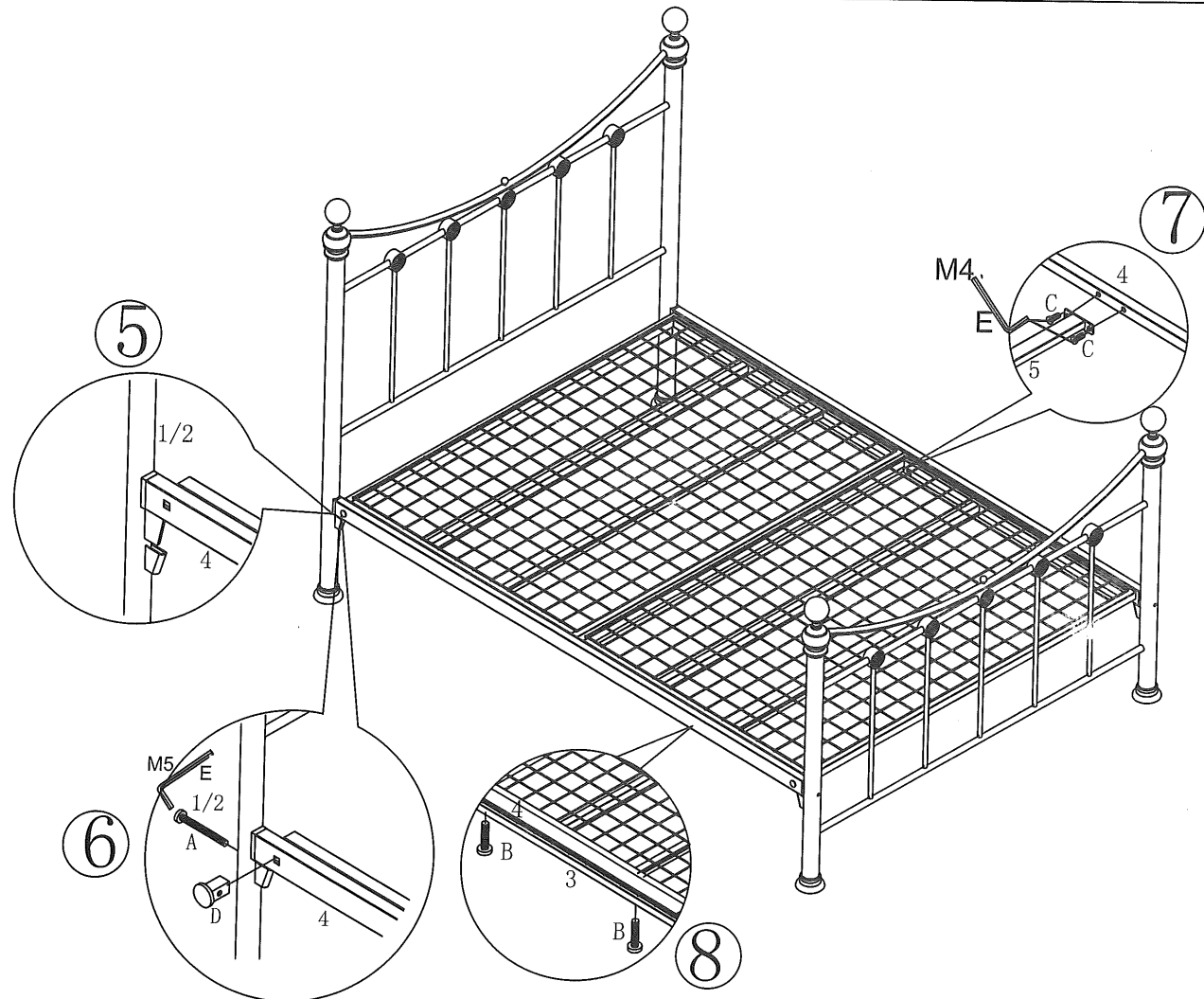
Step 2: Insert the arched cross bar (6) to both finials G (maintain the arched cross bar at a position of 90 degree)



Step 3: Press the arched cross bar(6) down and aligning it with the middle K/D hole, lock in the screw and tighten the centre finials(I).



Step 4: Adjust the bed post finials (F&G) on both sides to the correct position and tighten the bed post finials (F&G).



5

7

6

8