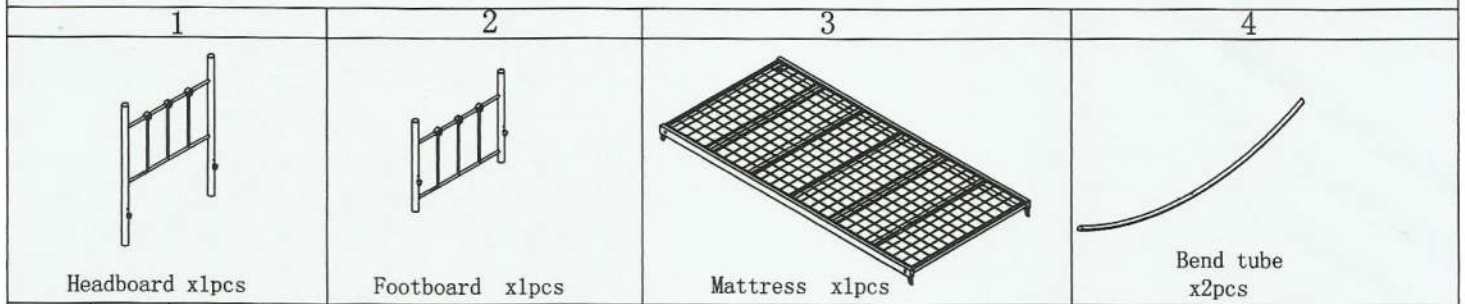
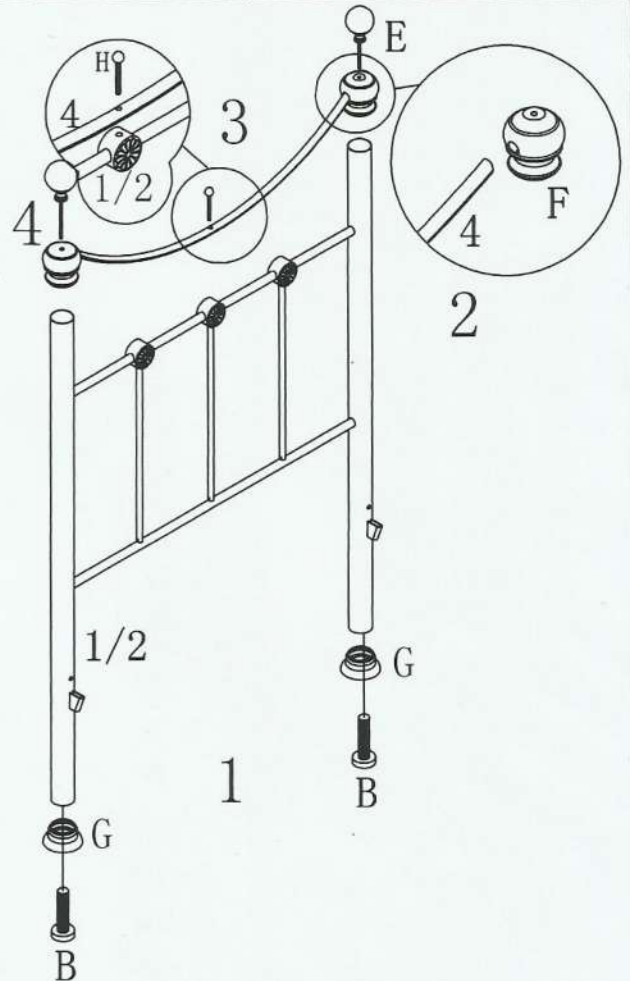


Assembly Instructions: Camberley Bed - Mesh Base (3'0)



A	B	C	D	E	F	G	H
Bolt M6x105 4pcs	Bolt M6x20 4pcs	insert nut 4pcs	Allen key 4MM 1pcs	Post Finial 4pcs	Post Cap 4pcs	Leg Cap 4pcs	Centre Finial 2pcs



Minimum no. of people recommended to assemble this product:



Approx. assembly time:
1 hr 30 mins

