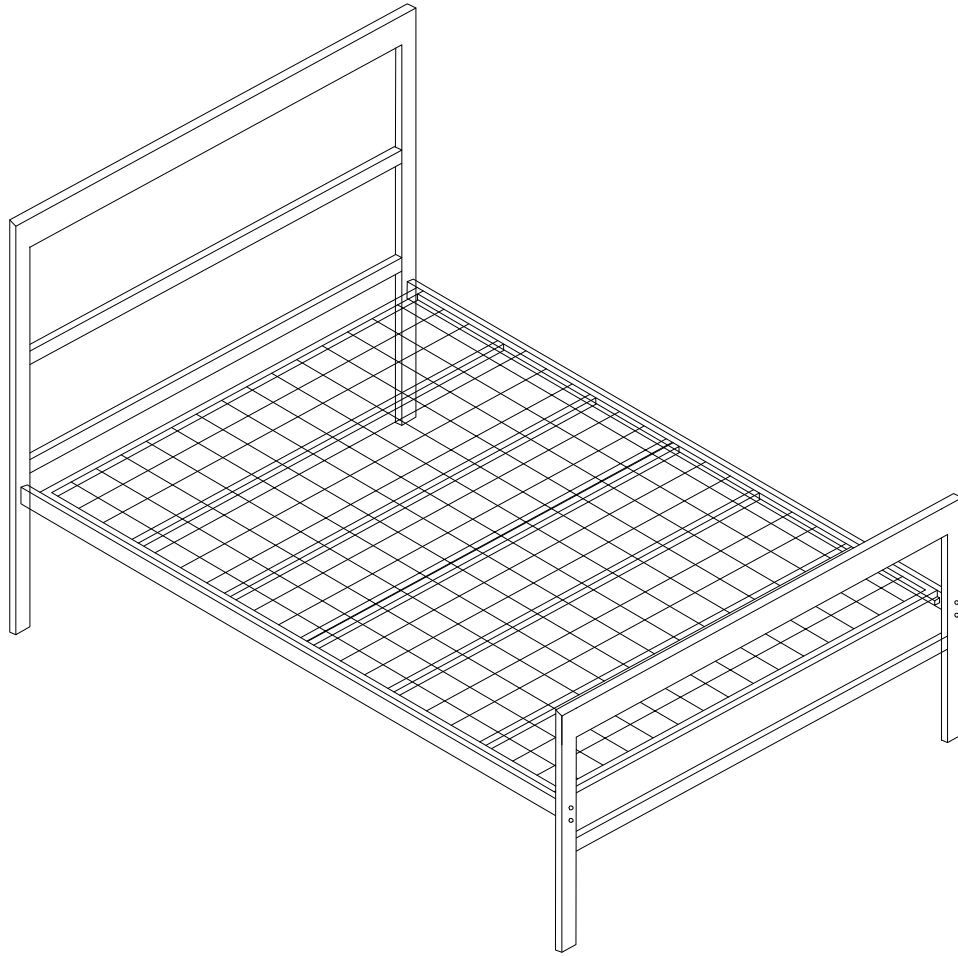


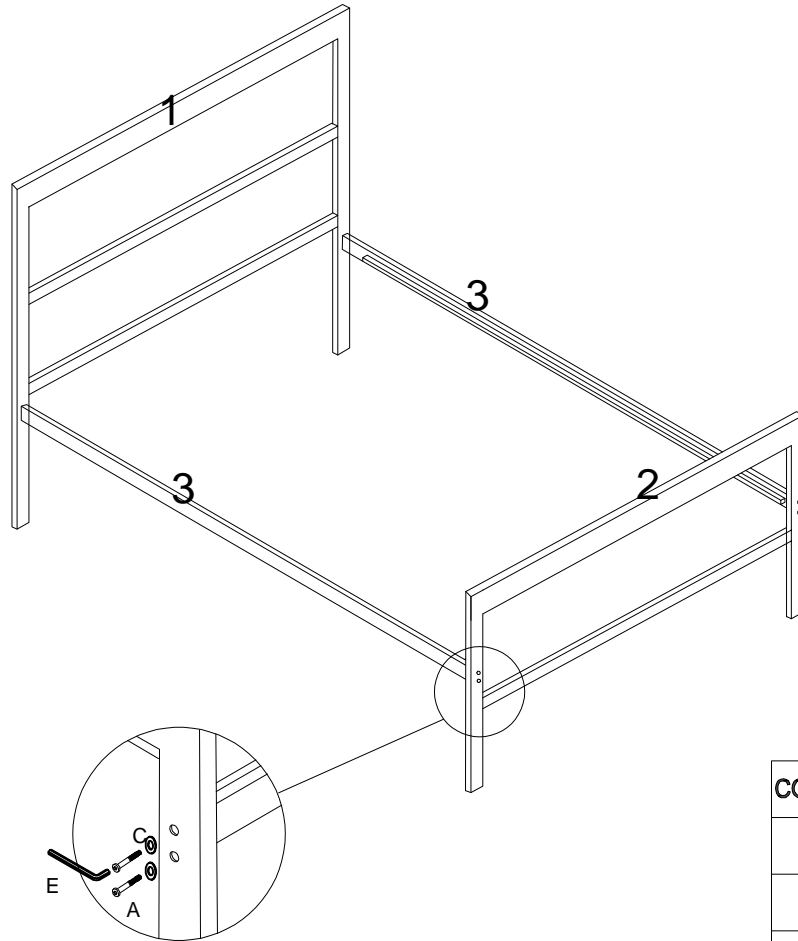
Assembly Instructions: HD Block Bed (4'0+4'6)






| | | | | | |
|---|--|---|---|--|---|
| 1 | | 1 | 4 | | 1 |
| 2 | | 1 | 5 | | 2 |
| 3 | | 2 | | | |

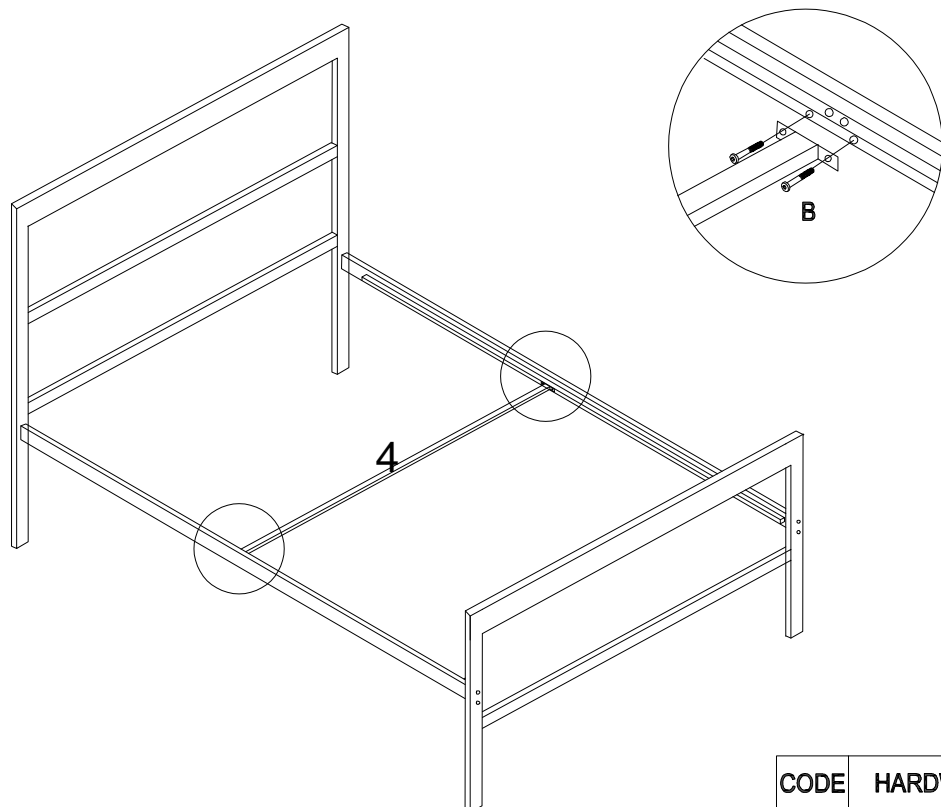
| | | | |
|---|--|---------|---|
| A | | M8X40mm | 8 |
| B | | M6X16mm | 4 |
| C | | M8 | 8 |
| D | | M6 | 8 |
| E | | | 2 |
| F | | M6X45mm | 8 |

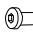
STEP 1



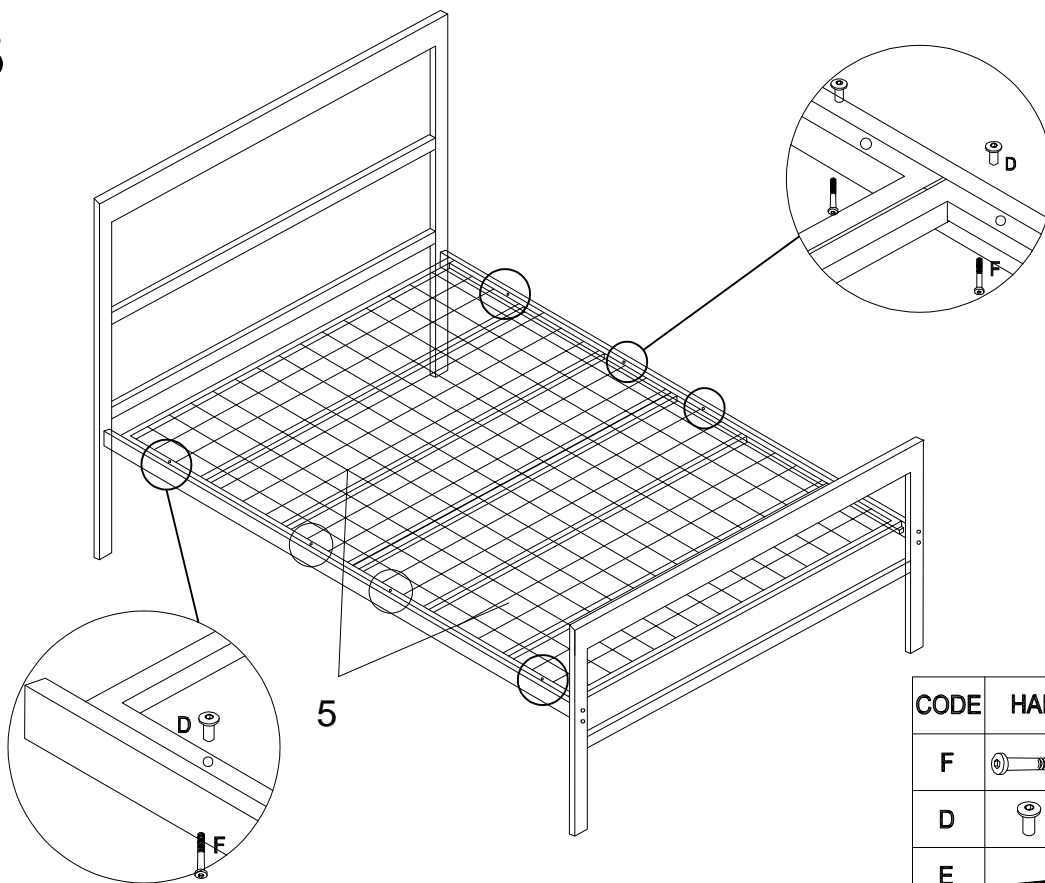
| CODE | HARDWARE | QTY |
|------|---|-----|
| A |  M8X40 | 8 |
| C |  M8 | 8 |
| E |  | 1 |

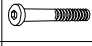


STEP 2



| CODE | HARDWARE | QTY |
|------|---|-----|
| B |  M6X16 | 4 |

STEP 3



| CODE | HARDWARE | QTY |
|------|---|-----|
| F |  M6X45 | 8 |
| D |  M6 | 8 |
| E |  | 1 |
| | | |

STEP 4

