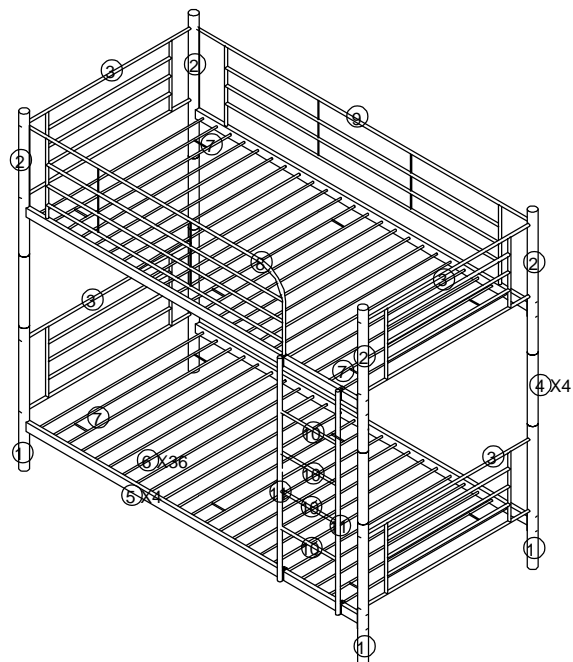
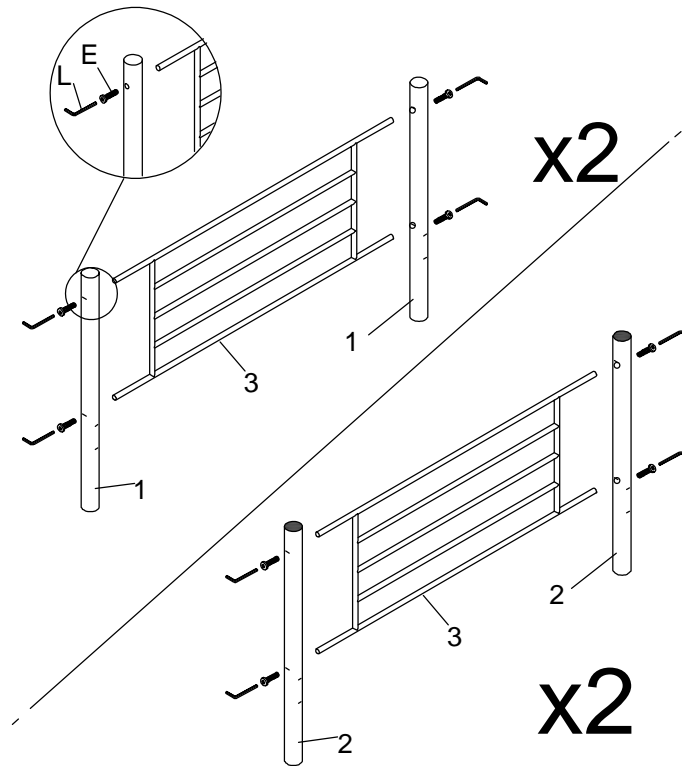




1		4	8		1
2		4	9		1
3		4	10		4
4		4	11		2
5		4			
6		36			
7		6			

A		M8X60mm	16	I		Φ22mm	4
B		M6X65mm	7	J			11
C		M6X35mm	8	K		M6	3
D		M6X45mm	3	L			2
E		M6X16mm	48				
G		M8	16				
H		Φ50mm	12				

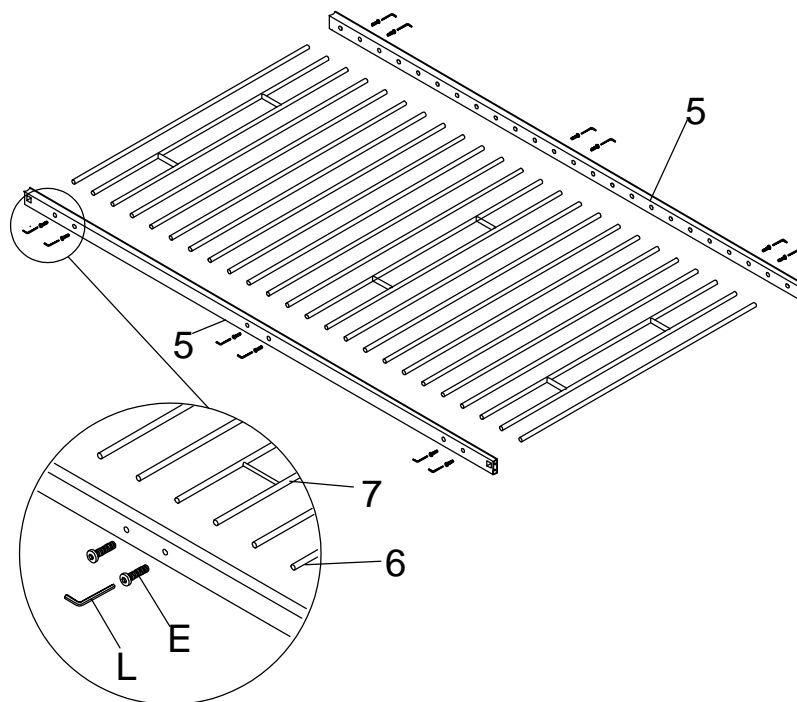




STEP 1



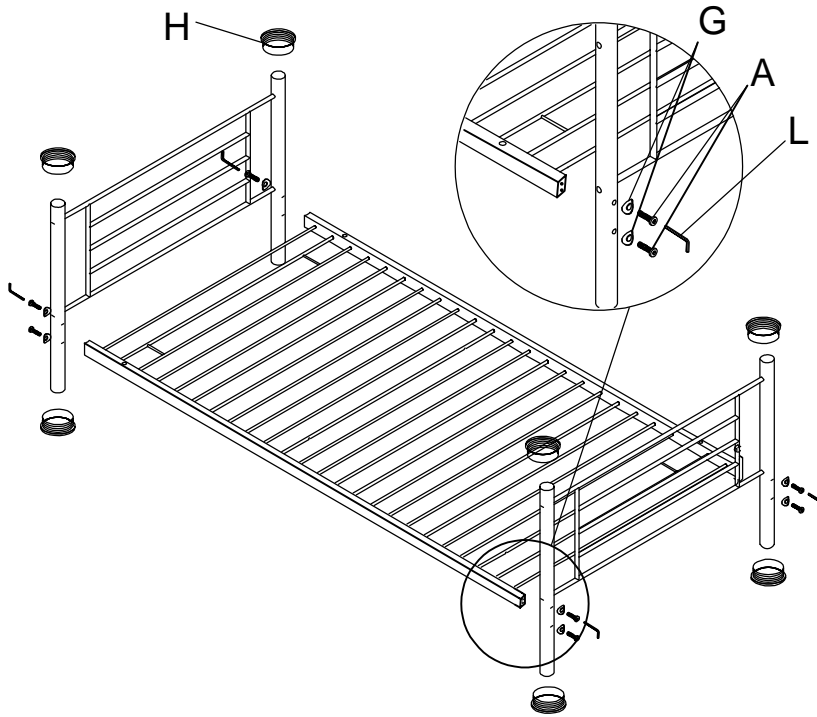
CODE	HARDWARE	QTY
E	 M6X16	16
L		1





STEP 2



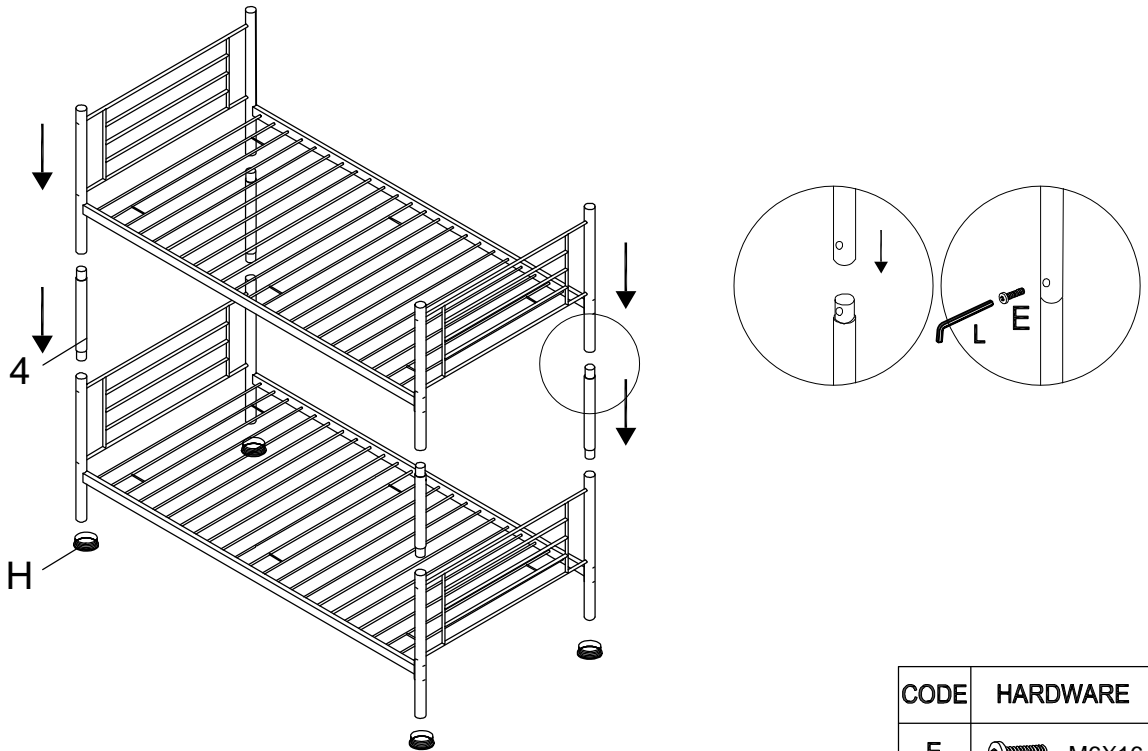
CODE	HARDWARE	QTY
E	 M6X16	24
L		1



STEP 3



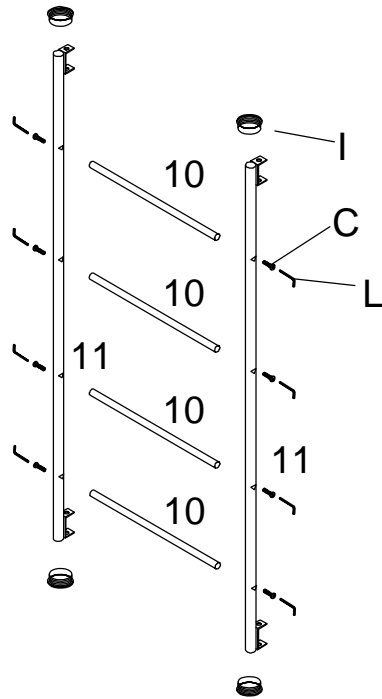
CODE	HARDWARE	QTY
A	 M8X60	16
G	 M8	16
L		1
H		8




STEP 4



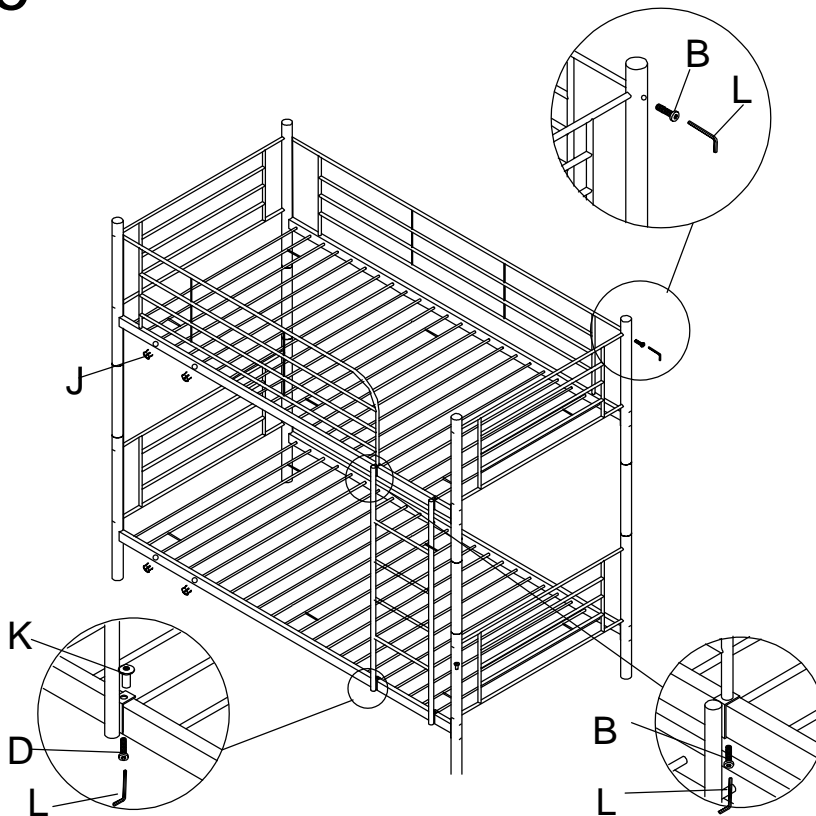
CODE	HARDWARE	QTY
E	 M6X16	8
L		1

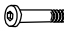




STEP 5



CODE	HARDWARE	QTY
C	 M6X35	8
L		1
I		4

STEP 6



CODE	HARDWARE	QTY
B	 M6X65	7
D	 M6X45	3
K	 M6	3
J		11
L		1