
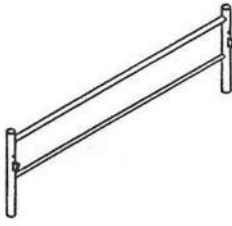
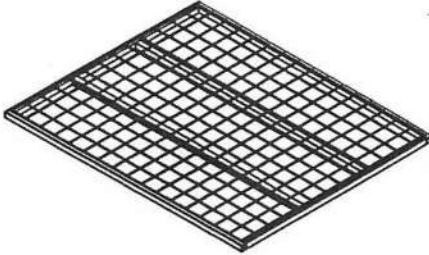
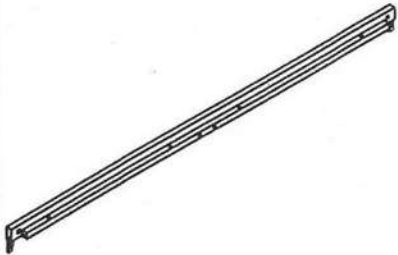







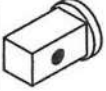



Assembly Instructions: Berkshire Bed - Mesh Base

<p>1</p>  <p>Headboard x1pc</p>	<p>2</p>  <p>Footboard x1pc</p>	<p>3</p>  <p>Mesh x2pcs</p>	<p>4</p>  <p>Side rail x2pcs</p>
---	--	---	---

<p>5</p>  <p>Horizontal rail x1pc</p>	<p>6</p>  <p>Finial x2pcs</p>	<p>7</p>  <p>Leg Cap x4pcs</p>	<p>8</p>  <p>EV pad x4pcs</p>	<p>A</p>  <p>Bolt M6x105 x4pcs</p>	<p>B</p>  <p>Bolt M6x35 x8pcs</p>	<p>C</p>  <p>Bolt M6x20 x8pcs</p>	<p>D</p>  <p>Insert Nut x4pcs</p>	<p>E</p>  <p>Allen Key 4MM x1pc</p>
---	--	---	--	--	--	--	--	--

