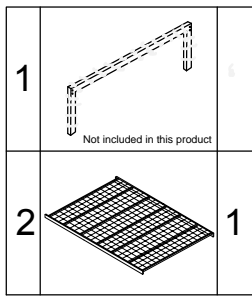
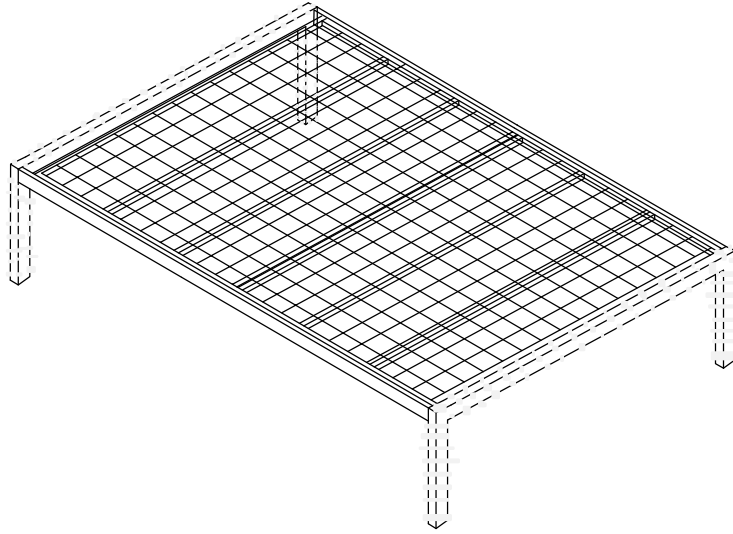
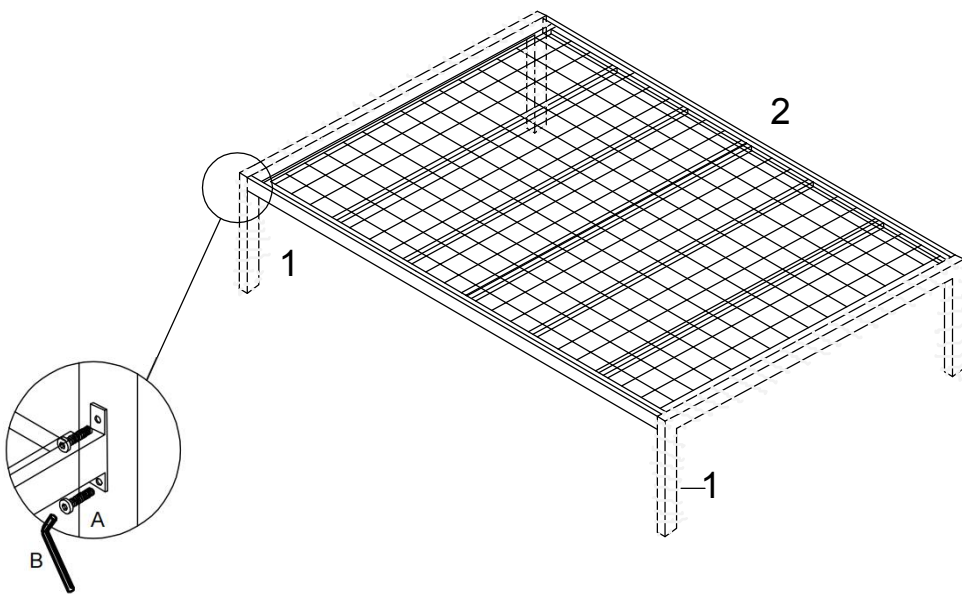


Assembly Instructions: Bedbase (Single)



A		M8X25mm	8
B			1



CODE	HARDWARE	QTY
A	M8X40	8
B		1