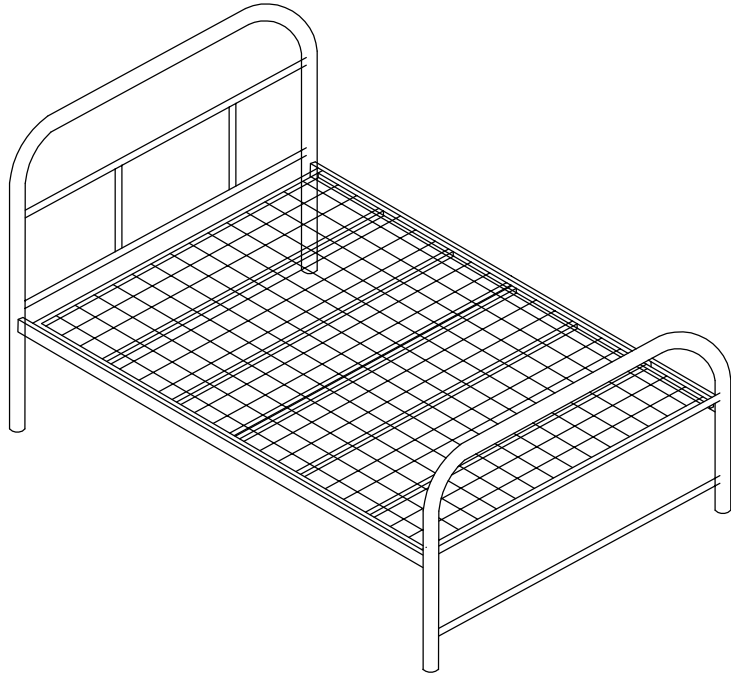


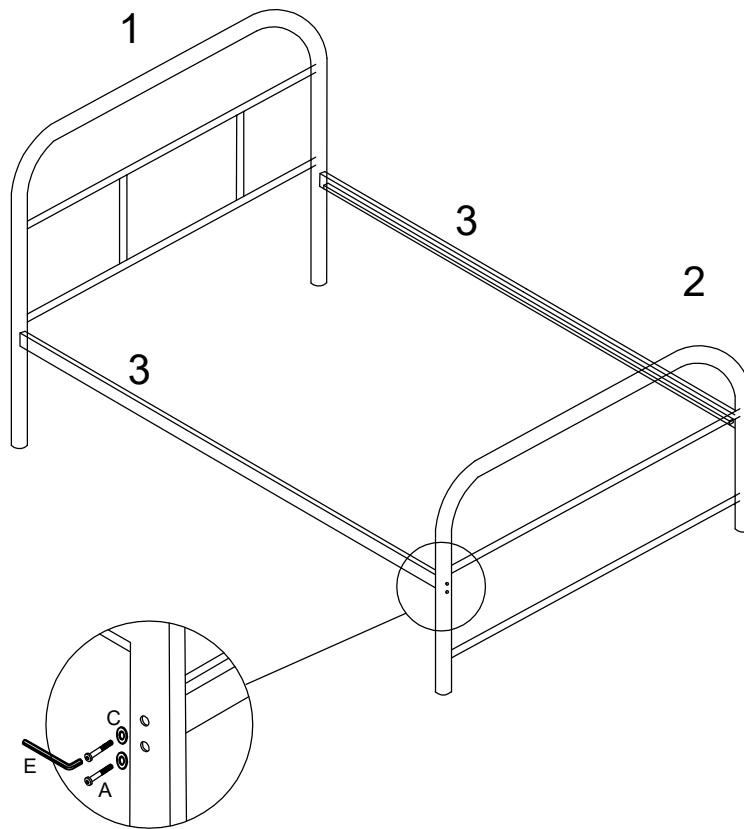
Assembly Instructions: HD Cromer Bed (4'0+4'6)






1		1	4		1
2		1	5		2
3		2			

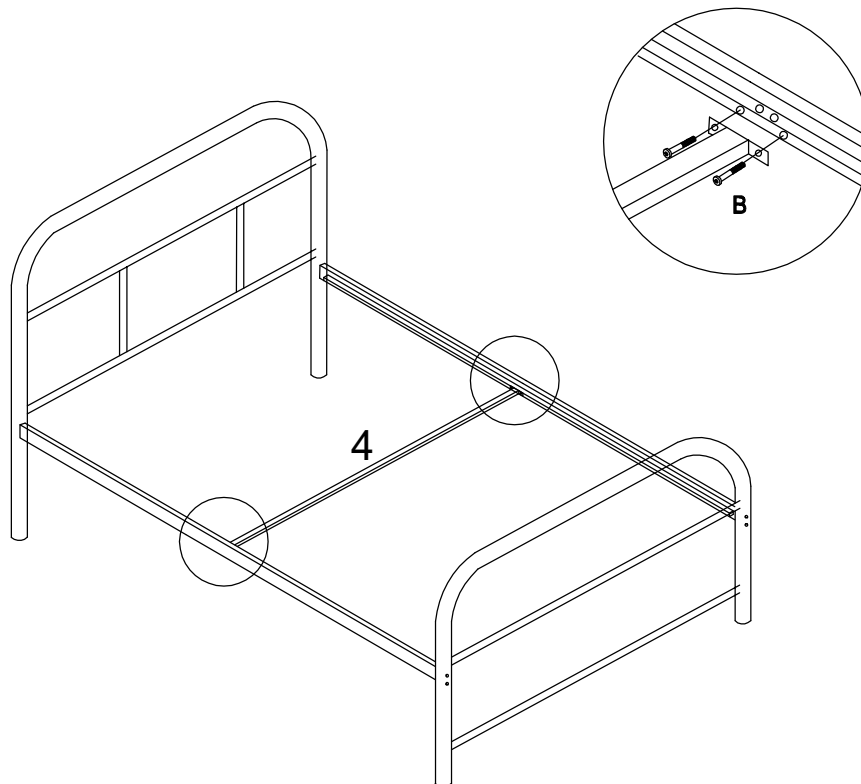
A		M8X65mm	8
B		M6X16mm	4
C		M8	8
D		M6	8
E			2
F		M6X45mm	8


STEP 1



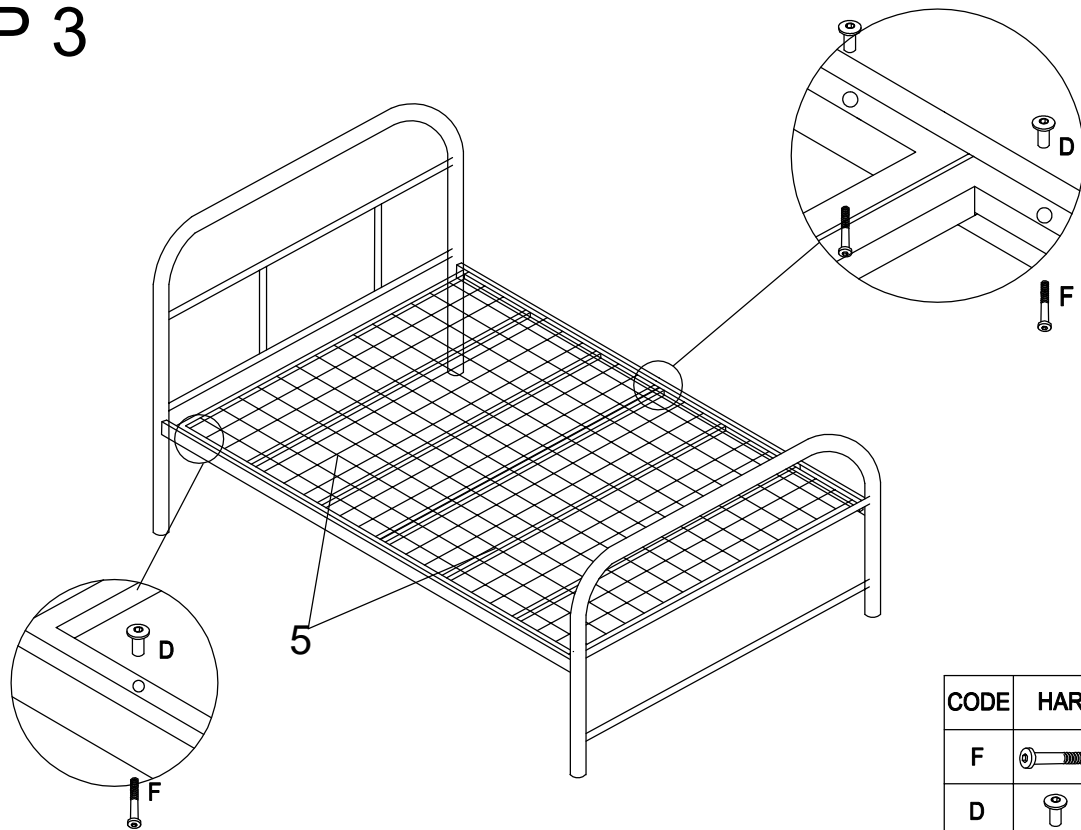
CODE	HARDWARE	QTY
A	 M8X65	8
C	 M8	8
E		1




STEP 2



CODE	HARDWARE	QTY
B	 M6X16	4

STEP 3



CODE	HARDWARE	QTY
F	 M6X45	8
D	 M6	8
E		1

STEP 4

