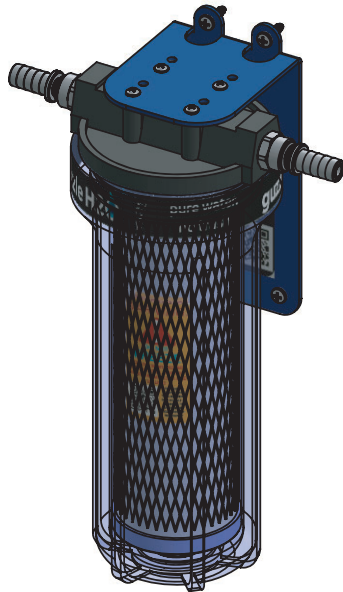


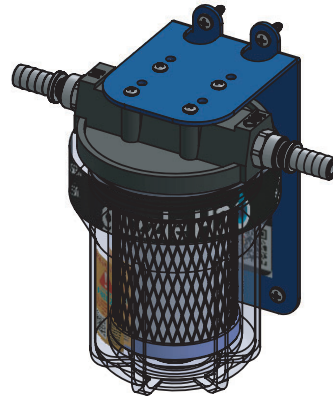
guzzle H2O

pure water. no trash.

STEALTH CARBON 10
523-0000



STEALTH CARBON 5
521-0000



INSTALLATION / OPERATION MANUAL

GUZZLE H2O STEALTH CARBON

REV B

GUZZLE H2O LLC WWW.GUZZLEH2O.COM INFO@GUZZLEH2O.COM

363 JEWETT BLVD, WHITE SALMON, WA 98672 USA

EMAIL SUPPORT AT INFO@GUZZLEH2O.COM

STEALTH USERS MANUAL

TABLE OF CONTENTS

CONTENTS	PAGE
TABLE OF CONTENTS	1
HAZARD WARNING	2
PART IDENTIFICATION	3
SYSTEM OVERVIEW	5
CHANGING THE CARBON BLOCK CARTRIDGE	10
WINTERIZATION	11
TIPS AND TROUBLESHOOTING	12
SYSTEM SPECIFICATIONS	13

-END OF MANUAL-



WARNING



MICROBIOLOGICAL HAZARD

Human consumption of untreated water can lead to exposure to harmful microorganisms and an increased risk of gastrointestinal illness. Operating this filtration and purification device incorrectly increases your risk of exposure to harmful microorganisms and increases your risk of gastrointestinal illness. Reduce your chances of becoming sick by following the warnings and instructions in the operator's manuals.

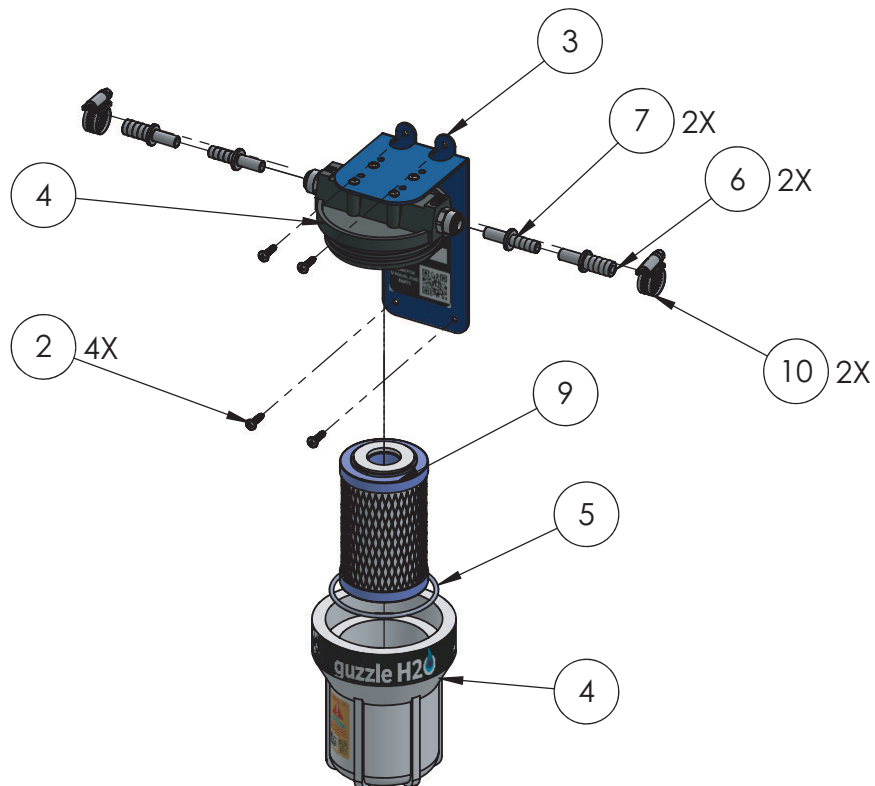
Guzzle H2O products are designed to reduce unwanted bad taste & odor, chlorine, VOCs, lead, mercury, and other contaminant particles as small as 0.5 micron in size. Guzzle H2O products do not remove toxins, heavy metals, or treat chemically contaminated water, and will not make potable water from sources with these contaminants. When in doubt, treated drinking water should be tested by the user to verify its safety to consume.

STEALTH CARBON USERS MANUAL

guzzle H2O
pure water. no trash.

STEALTH CARBON PART IDENTIFICATION

ITEM NO.	DESCRIPTION	QTY.
1	THREAD FORMING SCREW, PHIL ROUND HEAD, NO 8, 0.75 LG SST	4
2	WOOD SCREW, PHIL HEAD, NO 10, 0.75 LG, 316 SST	4
3	MOUNTING BRACKET, FILTER, TWISTLOCK OR SLIMLINE, STEEL, POWDERCOATED	1
4	FILTER HOUSING, SLIM LINE, 0.375 NTP 5 IN, CLEAR, PLASTIC	1
5	ORING, FILTER HOUSING, SLIMLINE, FDA EPDM	1
6	STRAIGHT ADAPTER, .375 TUBE X .5 BARB	2
7	STRAIGHT ADAPTER, .375 TUBE X .375 BARB, ACETAL	2
8	MANUAL, PAPER, BLUECAR STEALTH	1
9	FILTER, CARBON BLOCK, 0.5 MICRON, 2.875 X 4.95 (OR 2.875 X 9.875)	1
10	HOSE CLAMP, WORM DRIVE, .5 TO .9 ID, .5 W, .23 THK, SST	2



STEALTH CARBON OVERVIEW

System layout:

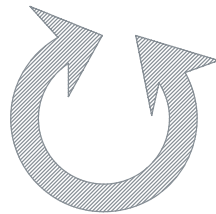
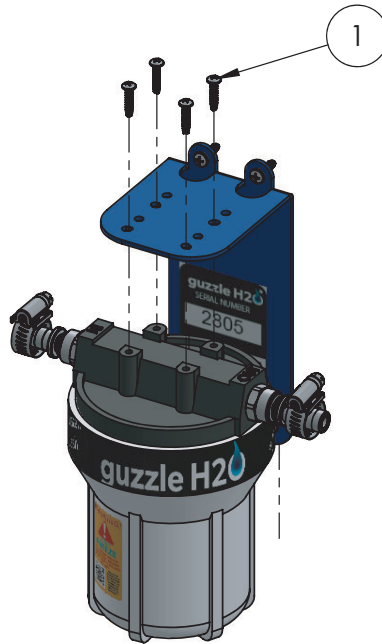
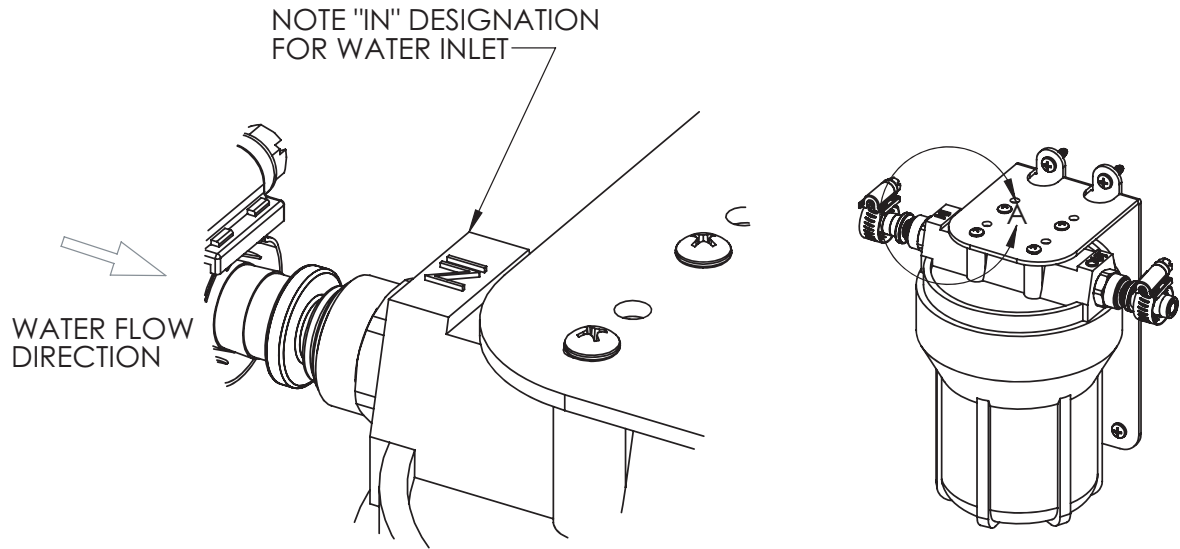
The Stealth Carbon should be installed on the cold water line between the pump, pressure tank, or water source and the point of use faucet. Ideally the Stealth Carbon should be the last thing the water passes through before the faucet. Water should enter through the port labeled “IN”. See Page 5. Water exits through the port labeled “OUT”.

Mounting:

The Mounting Bracket Angle (3) may be attached to the Filter Housing (4) to accommodate the inlet / outlet orientation to fit plumbing configuraton. To switch orientation, remove screws (1), reorient housing, and re-install screws. See Page 5.

STEALTH CARBON USERS MANUAL

guzzle H2O[®]
pure water. no trash.



STEALTH CARBON INSTALLATION

Tools Required:

No2 Phillips Screw Driver

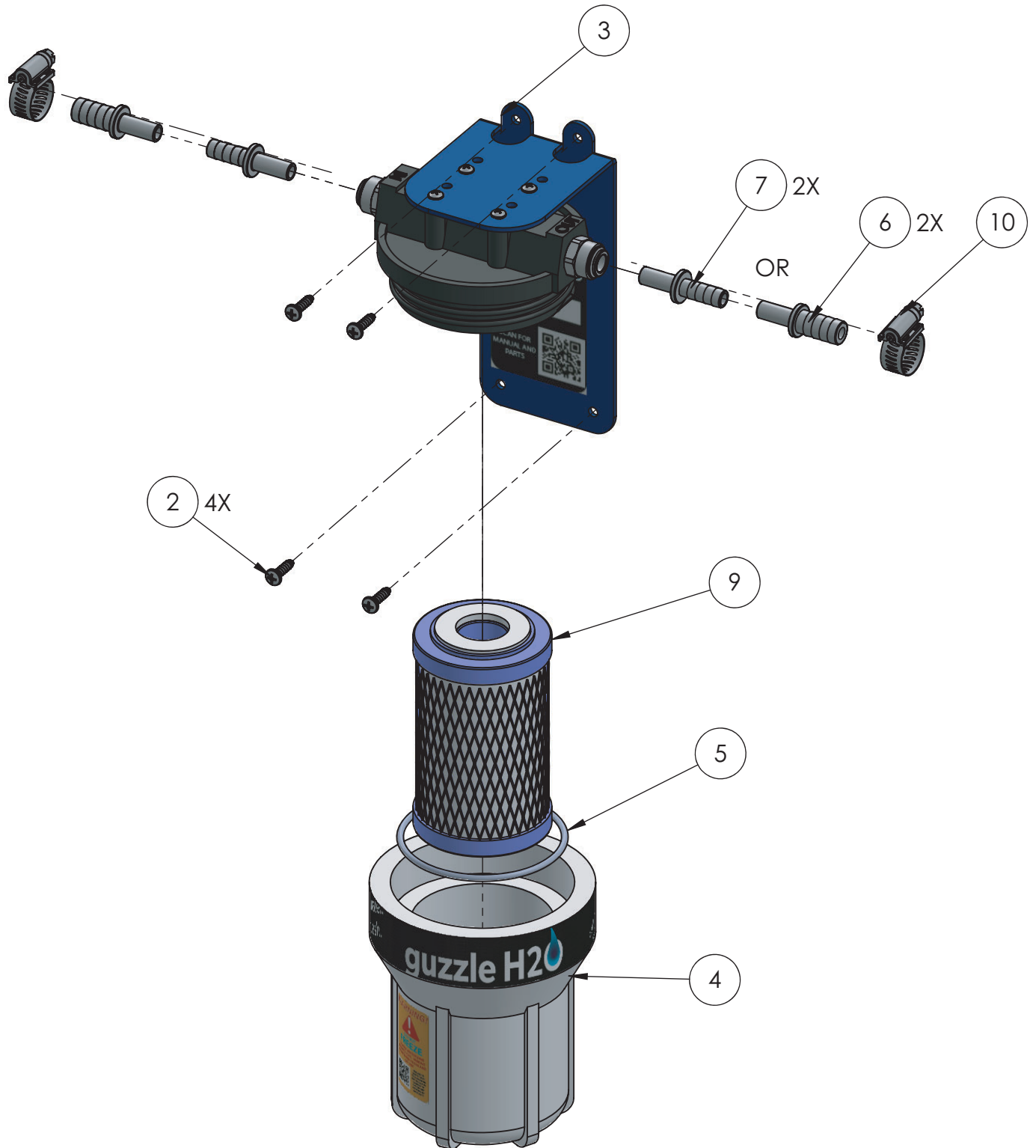
Filter Wrench (optional)

Slotted Screw Driver

- 1) Turn off water supply, and/or all pumps supplying pressure to the water system.
- 2) Determine plumbing layout. Stealth Carbon may be mounted with inlet on the right or left hand side of the unit. Plan for adequate space for inlet and outlet plumbing to have a clean approach, and to be secured to minimize movement and vibration when installation is complete.
- 3) Remove clear filter housing (4) to clear access to bracket screw holes. Install Mounting Bracket (3) on vertical wall with Qty 4 provided Wood Screws (2). Screws are self tapping. If mounting in a material other than wood or plastic, substitute appropriate fasteners.
- 4) Select barbed fitting (6) or (7) to fit local plumbing. Insert barbed end of fitting into tube and secure with hose clamp (10).
- 5) Insert stem end of barbed fitting (6 or 7) into inlet and outlet ports of Stealth Carbon.
- 7) Install Carbon Block Cartridge (9) and Cartridge Housing (4) making sure O-ring (5) seats in groove in housing. Tighten firmly by hand.
- 8) Turn on water supply. Check for leaks.

STEALTH CARBON USERS MANUAL

guzzle H2O[®]
pure water. no trash.



CHANGING THE CARBON BLOCK CARTRIDGE

Carbon block filters should be changed after 1000 gallons of use, or 6 months, whichever comes first. Actual capacity may vary depending upon quality of water filtered. Reduced water flow rate through filter or at the faucet is an indication that the carbon block filter element should be changed.

HOW TO CHANGE CARBON BLOCK CARTRIDGE

Turn off water pump, and open faucet to drain and depressurize water line. Place a bucket or towel below Stealth to catch any water that may drain. Unscrew carbon block filter cannister (4). Use a filter wrench if necessary. Locate the o-ring on the perimeter of the cannister. Drain water and remove carbon block element (9) . Place new carbon block filter element in the cannister. Make sure cannister o-ring is properly seated and cartridge gaskets are in place. Thread the cannister onto filter housing base. Make sure top and bottom of filter cartridge is centered on mounting. See below for list of acceptable replacement filters. Tighten cannister firmly, making sure o-ring seals. Turn on water pump, let water run. Run 5 gallons of water through system to dislodge and remove any loose carbon fines. Close faucet and check for leaks.

Replacement Carbon Block Cartridges

Guzzle H2O 5" Carbon Block Cartridge
Pentek CB-5

High Flow

PENTEK C2 (may reduce chemical adsorption properties)



WARNING



FREEZING TEMPERATURES CAN DAMAGE STEALTH AND CAUSE WATER SYSTEM LEAKS AND DAMAGE

Temperatures below 32F (0C) can damage the Stealth Carbon causing leaks and loss of performance. Follow WINTERIZATION PROCEDURES to prepare Stealth Carbon for freezing conditions.

WINTERIZATION PROCEDURES

In below freezing temperatures, water **MUST** be removed from the Stealth Carbon or damage may occur. Follow these guidelines in addition to any recommendations that may come with the rest of your water system.

1) Unscrew FILTER HOUSINGS (4) and drain water. Remove CARBON BLOCK CARTRIDGE(9) and set aside to dry for storage.

2) Reinstall the HOUSING (4) without the CARBON BLOCK CARTRIDGE (9). Allow CARBON BLOCK CARTRIDGE (9) to dry, and store for reinstallation.

ALTERNATIVELY TO THIS PROCEDURE, anti-freeze fluid may be used to protect the Stealth Carbon from freezing conditions. Remove CARBON BLOCK CARTRIDGE (9) and follow manufacturer instructions for distributing food safe anti-freeze fluid throughout the system including the Stealth to prevent water from freezing.

STEALTH CARBON SYSTEM TRICKS AND TROUBLE SHOOTING

- 1) Secure all hoses connecting to the Stealth Carbon. Loose and vibrating hoses can lead to water leaks.
- 2) After replacing carbon filter cartridge with a new filter, some visible black carbon fines may be dislodged in new carbon filter. This is normal, allow approximately 5 gallons of water to pass to remove carbon fines.
- 3) For best performance, filter water as close to point of use as possible. The Stealth Carbon should be the last thing your drinking water passes through before faucet. For whole system filtration, consult Guzzle H2O.
- 4) For installation, consider ease of access, max length and minimum bend radius of piping, electrical connections when selecting installation location. Use appropriate pipe and tubing compatible with supplied barbed fittings.
- 4) Carbon filter will cause a pressure drop in line pressure as it filters water. This may cause automatic pressure water pumps to cycle on and off as pressure limit is reached. This is normal. Adjust pump pressure to accommodate, or consult Guzzle H2O for higher flow options.
- 5) Stealth Carbon should be installed in a protected area. It is not made for outdoor installation.
- 6) To disconnect push to connect inlet and outlet fittings, depress collar around tube, and pull tubing insert.
- 7) Periodically clean onboard water tanks by shock treating with bleach or chlorine. This will reduce buildup of contaminants. The carbon block filters will do an excellent job of removing any residual chlorine from cleaning efforts.

FOR SUPPORT OR TECHNICAL ASSISTANCE FROM GUZZLE H2O PLEASE
EMAIL US AT INFO@GUZZLEH2O.COM

PRODUCT SPECIFICATIONS AND CAPACITIES

MAXIMUM FLOW RATE: 2.1 GALLONS (8.0 LITRES) / MIN

FLOW RATES AND CAPACITIES ARE FOR IDEAL CONDITIONS. FLOW RATES AND CAPACITIES MAY BE REDUCED BY CARBON BLOCK FILTER AGE, WATER QUALITY

ACTIVATED CARBON BLOCK FILTER 0.5 MICRON NOMINAL

Stealth Carbon 5 4.875 X 2.875 Inch Size

Stealth Carbon 20 9.875 x 2.875 Inch Size

REDUCES: sediment, chlorine taste and odor, VOCs, NSF 41 emerging contaminants, lead, mercury, and other chemical contaminants. Will not remove heavy metals or toxins

change after: 1000 gallon / 6 month use

MAXIMUM SYSTEM PRESSURE 120 PSI (8.3 Bar)

MINIMUM SYSTEM PRESSURE 30 PSI

SYSTEM TEMPERATURE MIN: 32F (0C) / MAX 113F (45C)

NSF LISTED AND FDA APPROVED MATERIALS

**END
OF
MANUAL**

**GUZZLE H2O LLC WWW.GUZZLEH2O.COM INFO@GUZZLEH2O.COM
363 JEWETT BLVD, WHITE SALMON, WA USA**