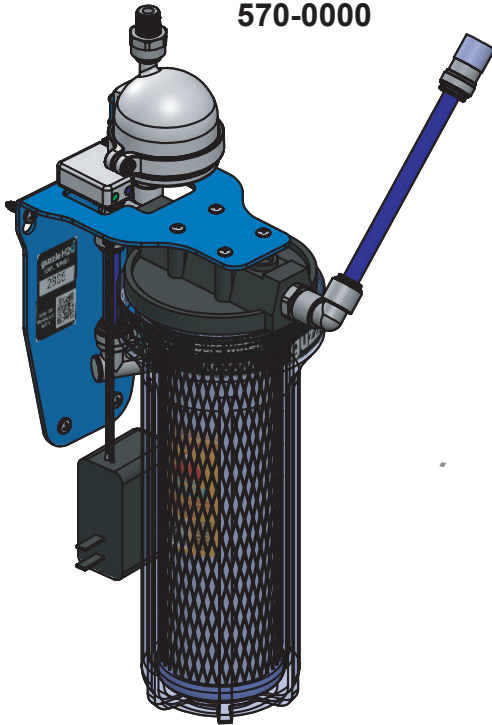


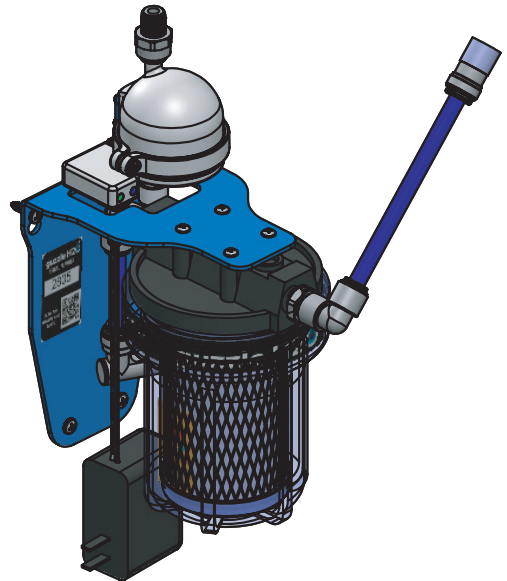
guzzle H2O

pure water. no trash.

STEALTH 10 HOME
570-0000



STEALTH 5 HOME
565-0000



USERS MANUAL

STEALTH HOME 5 / 10

REV A

GUZZLE H2O LLC WWW.GUZZLEH2O.COM INFO@GUZZLEH2O.COM

363 JEWETT BLVD, WHITE SALMON, WA 98672 USA

EMAIL SUPPORT AT INFO@GUZZLEH2O.COM

STEALTH USERS MANUAL

TABLE OF CONTENTS

CONTENTS	PAGE
TABLE OF CONTENTS	1
HAZARD WARNING	2
PART IDENTIFICATION	3
SYSTEM LAYOUT	4
SYSTEM OVERVIEW	5
INSTALLATION INSTRUCTIONS	6
MOUNTING BRACKET INSTRUCTIONS	8
FAUCET CONNECTION	10
WATER SUPPLY CONNETION	11
POWER SUPPLY	12
OPERATION	13
INDICATOR LIGHT STATUS CODES	14
CHANGING THE CARBON BLOCK CARTRIDGE	15
WINTERIZING	16
PRO TIPS	18
SYSTEM SPECIFICATIONS AND CAPACITIES	19
PARTS, MANUALS, RESOURCES	20
BRACKET MOUNTING PATTERN	21

-END OF MANUAL-



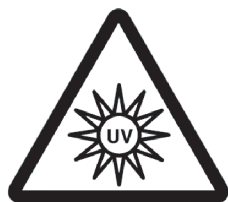
WARNING



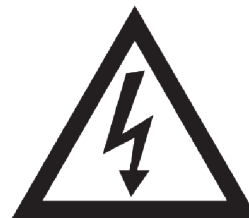
MICROBIOLOGICAL HAZARD

Human consumption of untreated water can lead to exposure to harmful microorganisms and an increased risk of gastrointestinal illness. Operating this filtration and purification device incorrectly increases your risk of exposure to harmful microorganisms and increases your risk of gastrointestinal illness. Reduce your chances of becoming sick by following the warnings and instructions in this operator's manuals.

Guzzle H2O products are designed to reduce unwanted bad taste & odor, chlorine, VOCs, lead, mercury, and other contaminant particles as small as 0.5 micron in size. Guzzle H2O products are 3rd party tested in accordance with US EPA Guidelines for Ultraviolet Disinfection to inactivate 99.99% of viruses, protozoa, and bacteria. Guzzle H2O products do not remove toxins, heavy metals, or treat chemically contaminated water, and will not make potable water from sources with these contaminants. Observe all instructions and specifications in this document. When in doubt, treated drinking water should be tested by the user to verify its safety to consume.



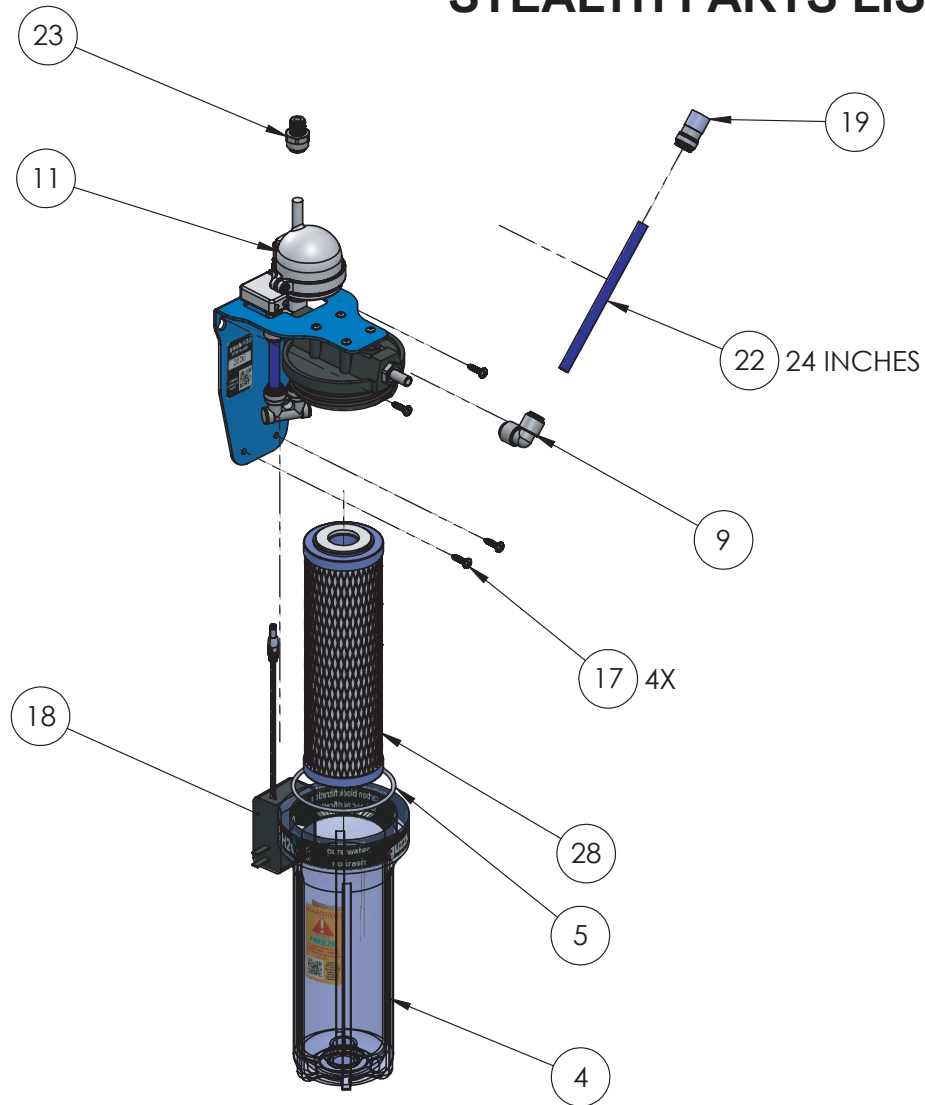
UV exposure
risk if used
improperly



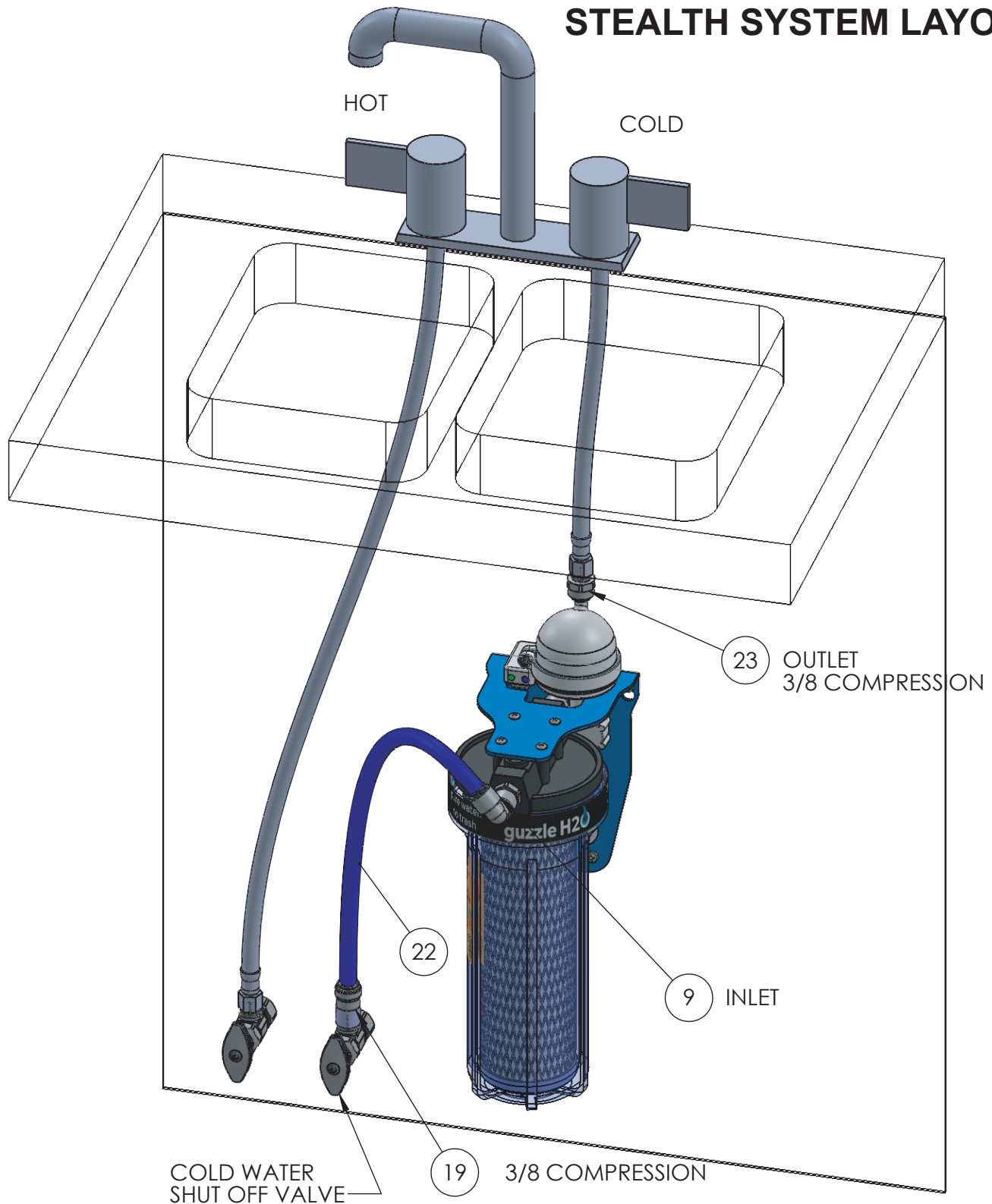
Electrical
shock
possible

ITEM NO.	DESCRIPTION	QTY.
1	MOUNTING BRACKET, STEALTH, ONE PIECE, 0.104 THK, LOW CARBON STEEL	1
4	FILTER HOUSING CANNISTER, 10IN, CLEAR	1
5	O-RING, FOR FILTER HOUSING SLIMLINE, FDA EPDM	1
8	STRAIGHT ADAPTER, 0.375 NPT X 0.375 STEM, ACETAL, GREY	1
9	ELBOW, PUSH TO CONNECT, .375, ACETAL	1
11	UV-C PURIFICATION CHAMBER, LED, .375 I/O	1
17	WOOD SCREW, PHIL HEAD, NO 10, 0.75 LG, 316 SST	4
18	POWER ADAPTER, AC/DC, WALL PLUG	1
19	FAUCET CONNECTOR, 0.375 PTC X 0.563-24 UNEF, KNURLED GRIP	1
20	MANUAL, PAPER, STEALTH RESIDENTIAL	1
23	STRAIGHT ADAPTER, 0.375 PTC X 9/16-24 UNEF FAUCET CONNECTOR	1
27	TUBE, 0.375 OD, 0.25 ID, POLYETHYLENE, BLUE	1
28	SOLID CARBON BLOCK FILTER, 9.75 X 2.875, 0.5 MICRON	1

STEALTH PARTS LIST



STEALTH SYSTEM LAYOUT



STEALTH SYSTEM OVERVIEW

System Layout:

The Stealth includes a carbon filter and a UV purification chamber. Water must pass through the carbon filter as the first stage, and the UV chamber as the second stage. See page 4. The Stealth should be installed on the cold water line between the Cold Water Shut Off Valve and the faucet cold water line. Ideally the Stealth should be the last component the water passes through before the faucet.

It is optional to provide a dedicated stand alone drinking water faucet for the Stealth system. Operator preference should dictate this decision. Considerations include a slight pressure drop associated with the carbon filter, and if a fully isolated water purifier is required.

The INLET elbow may be rotated 360 degrees to accommodate plumbing layouts.

Mounting:

The Stealth should be mounted on a vertical wall. The system should be oriented with the clear filter canister down so water does not spill when the housing is unscrewed. Select a location where plumbing can route cleanly, and access for filter changes is good.

Electrical Supply

The Stealth requires power to enable the UV treatment. A 110/240V 50/60Hz outlet is required.

Operation:

The Stealth has an instantaneous flow sensing switch which detects water flow and immediately activates the UV. The Stealth will sense that water is moving when you open the faucet. The sensor will notice a minimum of 0.3 liters per minute flow rate. LED technology allows it to instantly switch ON the UV chamber to full power and effectiveness with no warm up necessary. It draws minimal power when it is in standby mode.

STEALTH INSTALLATION

Tools required:

No 2 Philips Head Screwdriver

General Practices

- Read all instructions before use.
- Remove the Stealth from Packaging, ensure contents are complete.
- Do not power on UV without water connected and initial flushing.
- For installation location, consider ease of access for filter changes, minimum bend radii of tubing, and access to electrical connections.
- Do a quick test fit before beginning installation.
- Stealth system should be installed on the cold water line between the faucet shutoff and the faucet.

Instructions

- 1) Turn off COLD water supply at the supply shut off valve on the wall.
- 2) Determine mounting location for Stealth. Make sure that faucet cold water line will reach the outlet fitting at top of Stealth. Make sure that Stealth inlet fitting is within 24" of water supply valve. See System Layout diagram Page 4.
- 3) Unscrew Filter Housing Canister, Clear (4) and set aside with Filter (28) to provide clear access to bracket mounting holes.
- 4) Using Bracket Mounting Pattern on Page 21, mark fastener locations for upper 2 screws on mounting surface. Screws are self tapping in most materials. Thread 2 Screws (17) into mounting surface using No 2 Philips Head Screwdriver. Stop turning screws to leave a small gap under screw head. Do not over-tighten screws, substrate material may strip if over-tightend. If mounting in a material other than wood, metal, or plastic, substitute appropriate fasteners.
- 5) Hang bracket by top screws. See Page 8.

STEALTH INSTALLATION (CONTINUED)

6) Install 2 screws (17) into mounting surface through 2 holes on lower side of mounting bracket using the bracket as a guide. Screws are self tapping. Then snug up the upper screws on the bracket. See page 9.

7) Thread the Faucet Connector (23) onto the cold water line hose. The supplied connector fits a 3/8 compression thread. Tighten snugly by hand.

8) Press the Faucet Connector (23) onto the top outlet stem of the UV unit (11). Press the fitting on until it stops, and then pull to provide some tension to seat the internal o-ring seal. See Page 10.

9) Thread the Female Faucet Connector (19) onto the Cold Water Shut Off Valve. Make sure a rubber o-ring is present in the connection. Tighten snugly by hand.

10) Install Carbon Block Cartridge (28) and Filter Housing Canister, Clear (4) making sure O-ring (5) seats in groove in canister. (Remove plastic wrap from carbon filter). Tighten firmly by hand.

11) Turn on Cold Water Shut Off valve at the wall. Inspect the installation and determine that there are NO LEAKS.

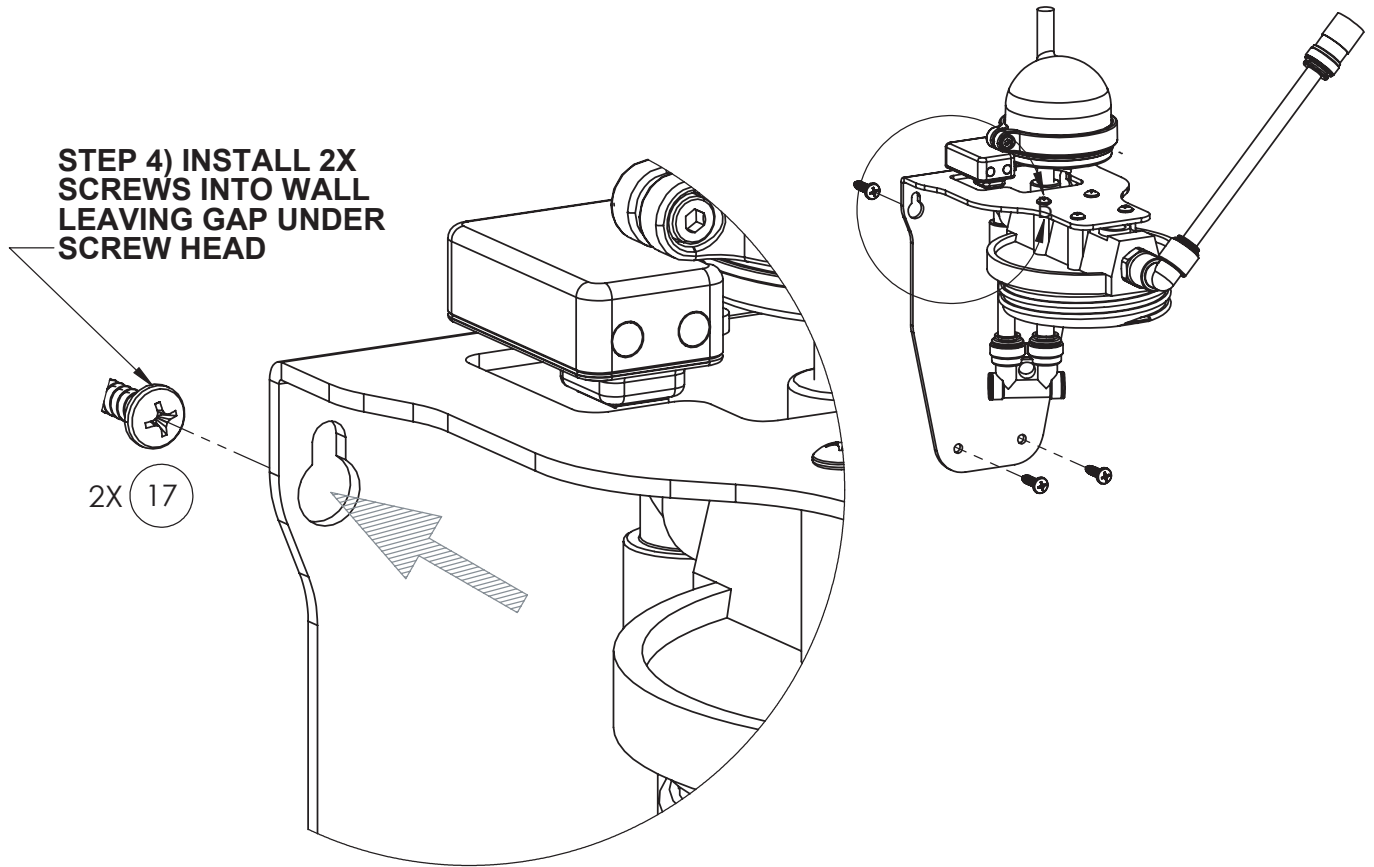
12) Connect the barrel plug of the power adapter (18) to the UV unit. See page 12. Connect the power adapter to a 110/240V 50/60 Hz wall socket.

13) GREEN light indicates power is ON. BLUE light indicates UV system is ACTIVE when water flows. BLUE light should turn off when water flow stops. See Status Light Codes Page 14.

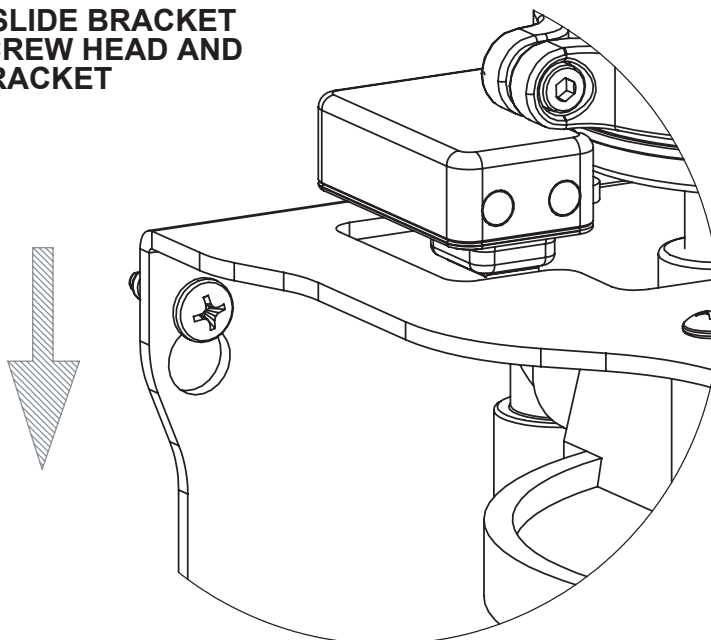
14) Turn on water at the faucet, and flush carbon fines out of new Carbon Filter. Run 3-5 gallons of water through Stealth to remove carbon fines from new Carbon Filter. You will see black sediment in water as fines are removed.

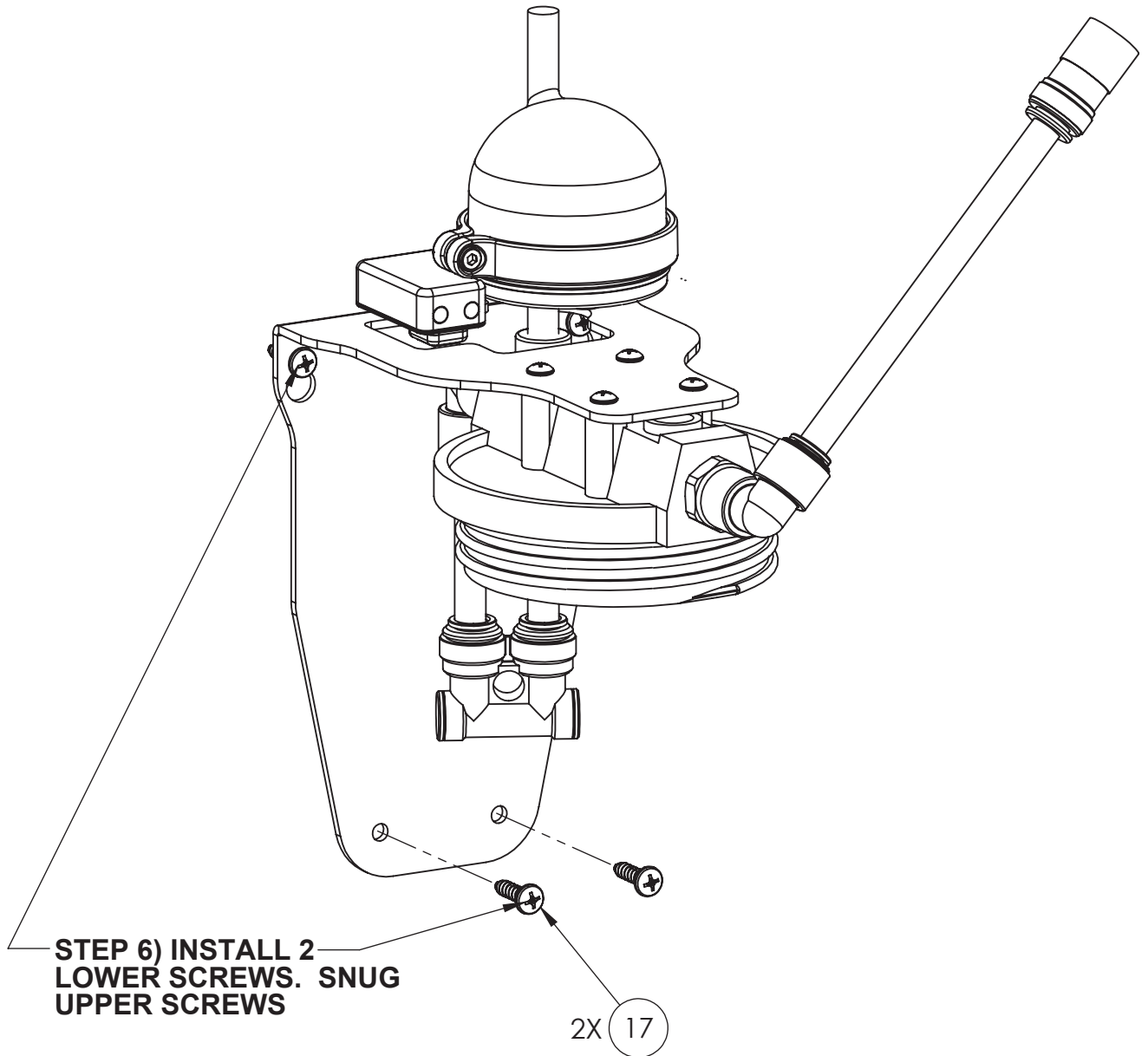
15) Have a drink of clean water!

**STEP 4) INSTALL 2X
SCREWS INTO WALL
LEAVING GAP UNDER
SCREW HEAD**

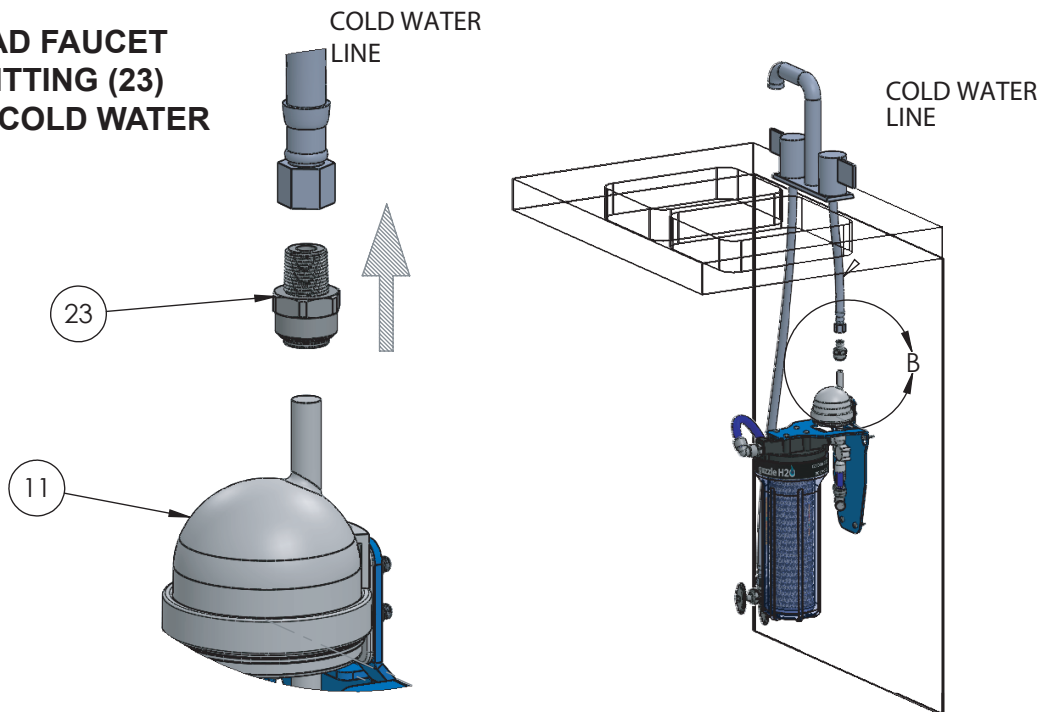


**STEP 5) SLIDE BRACKET
OVER SCREW HEAD AND
HANG BRACKET**



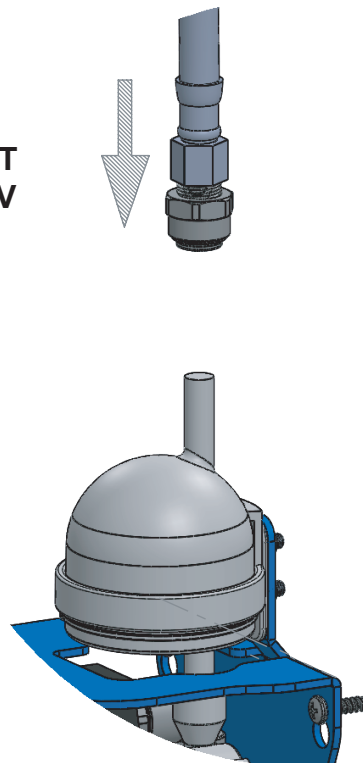


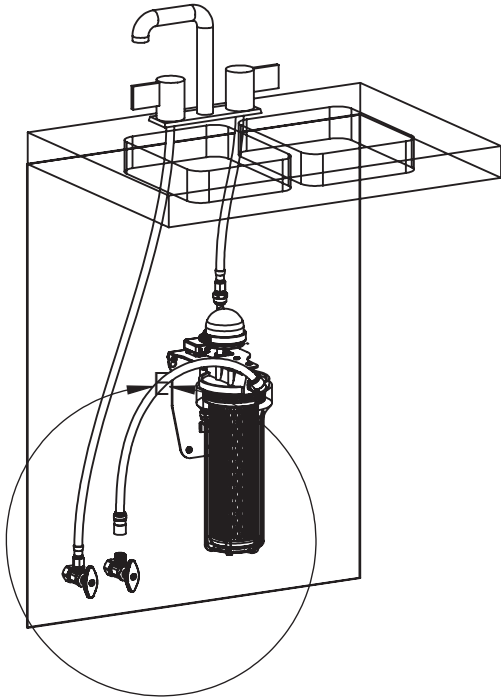
**STEP 7) THREAD FAUCET
CONNECTOR FITTING (23)
ONTO FAUCET COLD WATER
LINE**



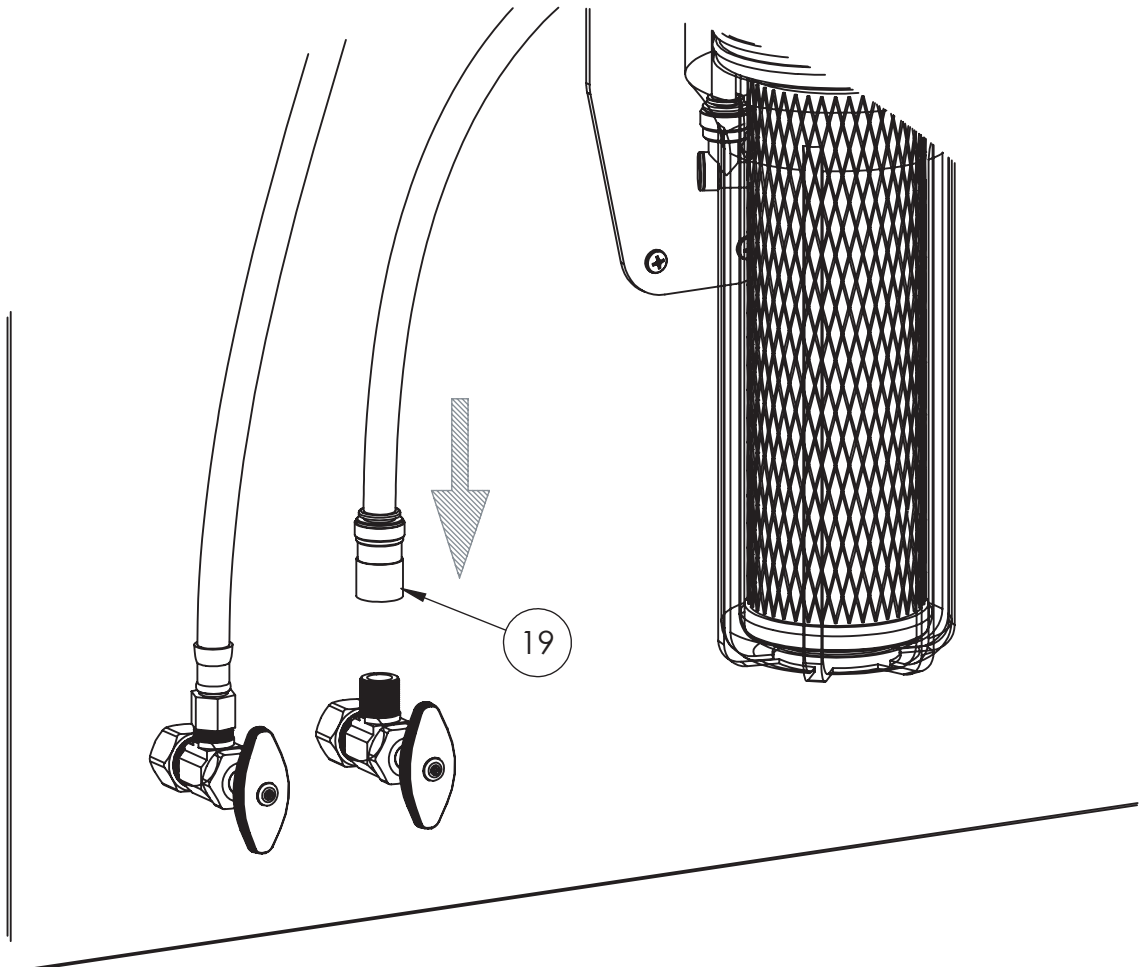
**STEP 8) PRESS PUSH-TO-CONNECT
FITTING ONTO OUTLET STEM OF UV
UNTIL IT STOPS**

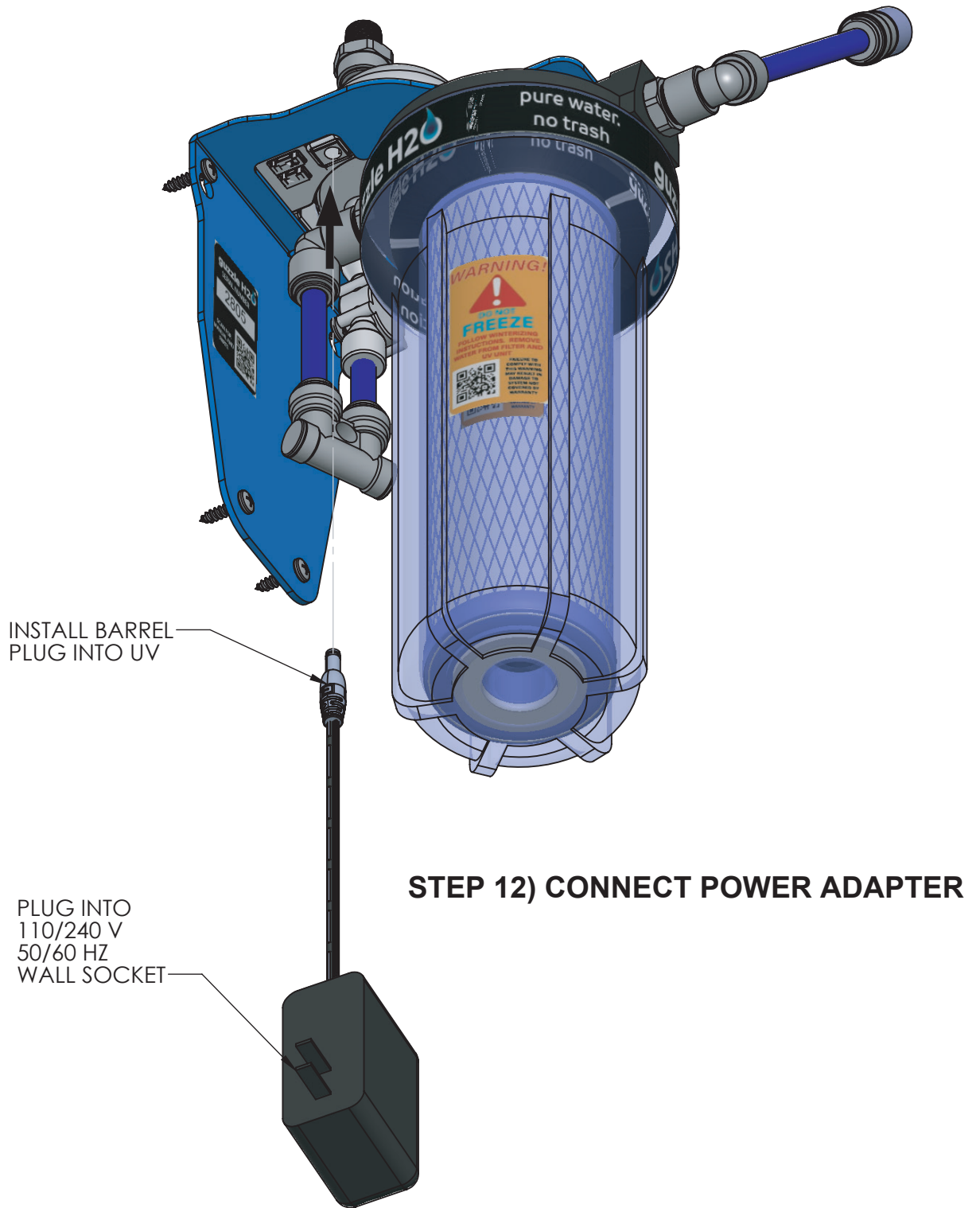
**ONCE CONNECTED, PULL FITTING
TO LOCK INTERNAL O-RING SEAL**





**STEP 9) THREAD FEMALE
FAUCET CONNECTOR (19)
ONTO COLD WATER SHUT
OFF VALVE**





STEALTH OPERATION

When power is connected to the Stealth, the green indicator LED illuminates to indicate it is on STANDBY MODE (see page 9). In this mode, the Stealth is ready to purify water, but has not yet activated the UV purification chamber.

The UV purification function of the Stealth activates automatically by sensing water flow and activating the UV purification chamber when water is moving. A few seconds after the water stops, the Stealth turns the purification chamber off. Water flow typically is started and stopped by using your faucet. UV purification activity is indicated by the BLUE LED indicator light. The sensor requires a minimum of 0.3 liters per minute of flow to activate.

LED technology allows the UV purification chamber to instantly activate and perform at full effectiveness. The UV chamber does not require any time to “warm up.”

The Stealth can be left on STANDBY MODE indefinitely. The UV function should only activate when water is running.

UV PulseCare:

When the UV unit is in Standby Mode, and water is not flowing, the UV unit will periodically activate to clean the UV chamber. This prevents microbiological pathogens from migrating through the chamber due to natural colonization and transport. While inactive, the UV will flash for 1 second every 30 minutes.

If system is left off for more than 12 hours, contamination from microbiological migration is possible, and water lines should be sanitized.

LED STATUS CODES

BLUE	GREEN	MEANING	SOLUTION
OFF	ON	Unit is receiving adequate power; UV-C disinfection is off; water is not flowing	
ON	ON	Unit is receiving adequate power; UV-C disinfection is active; water is flowing	
BLINKING AT STARTUP	OFF	UV PulseCare Enabled	
ALTERNATE BLINKING		Thermal Error	Verify there is adequate flow through unit, no obstructions in unit, and water temperature meets specification
ON	FLASHING	LED Status Error	UV lamp replacement needed - contact Guzzle H2O



COLOR: BLUE

COLOR: GREEN

STEALTH MAINTENANCE - CHANGING CARBON FILTER

WHEN TO CHANGE THE CARBON BLOCK FILTER

Carbon block filters should be changed after 1000 gallons of use. Actual capacity may vary depending upon quality of water filtered. Reduced water flow rate through filter or at the faucet is an indication that the carbon block filter element should be changed.

HOW TO CHANGE CARBON BLOCK FILTER

Shut off water pressure, and open faucet to drain and depressurize water line. Place a towel below filter canister to catch any water that may drain. Unscrew carbon block filter canister (10). Use a filter wrench if necessary. Locate the o-ring (11) on the perimeter of the canister. Drain water and remove carbon block element (12). Place new carbon block filter element in the cannister. Make sure canister o-ring (11) is properly seated and cartridge gaskets are in place. Thread the cannister onto filter housing base. Make sure top and bottom of filter cartridge is centered on mounting. See below for list of acceptable replacement filters. Tighten cannister firmly by hand, making sure o-ring seals. Turn on water pressure, let water run. Run 5 gallons of water through system to dislodge and remove any loose carbon fines. Close faucet and check for leaks.

Replacement Carbon Block Cartridges:

Stealth 5

Guzzle H2O 5" Carbon Block Cartridge (701-0000)

High Flow Applications Alternate Filter (reduced chemical removal):

5 micron High Flow Carbon Filter (705-0000)

Other Mfg: Pentek CB-5

Stealth 10

Guzzle H2O 10" Carbon Block Cartridge (728-0002)

Other Mfg: Pentek CBC-10

LED CHAMBER MAINTENANCE FREE

The LED UV chamber has a lifespan of 10,000 hours of activated operation. It does not need to be replaced as a maintenance item.

STEALTH MAINTENANCE - WINTERIZING



WARNING



FREEZING TEMPERATURES CAN DAMAGE STEALTH AND CAUSE WATER SYSTEM LEAKS AND DAMAGE

Temperatures below 32F (0C) can damage the Stealth causing leaks and loss of performance. Follow WINTERIZATION PROCEDURES to prepare Stealth for freezing conditions.

WINTERIZATION PROCEDURES

In below freezing temperatures, water **MUST BE REMOVED** from the Stealth or damage may occur to the UV unit and carbon filter. Follow these guidelines in addition to any recommendations that may come with the rest of your water system.

- 1) Unscrew FILTER CANISTER (10) and drain water. Remove CARBON BLOCK CARTRIDGE(12).
- 2) Open faucet. Use an air compressor to inject air into the outlet hole in the center of the filter housing base nearest the UV unit.. Pulse air into the outlet hole as shown on page 18 to push air and water out through the UV unit. Water should come out of open faucet. Pulse air until no more water is expelled through faucet, and water is removed from UV unit.
- 3) Reinstall the CANISTER (10) without the CARBON BLOCK CARTRIDGE (12). Allow CARBON BLOCK FILTER (12) to dry, and store for re-installation, or replace if expired.

ALTERNATIVELY TO THIS PROCEDURE, anti-freeze fluid may be used to protect the Stealth from freezing conditions. Remove CARBON BLOCK CARTRIDGE (12) and follow manufacturer instructions for distributing food safe anti-freeze fluid throughout the system including the Stealth to prevent water from freezing.

STEALTH MAINTENANCE - WINTERIZING



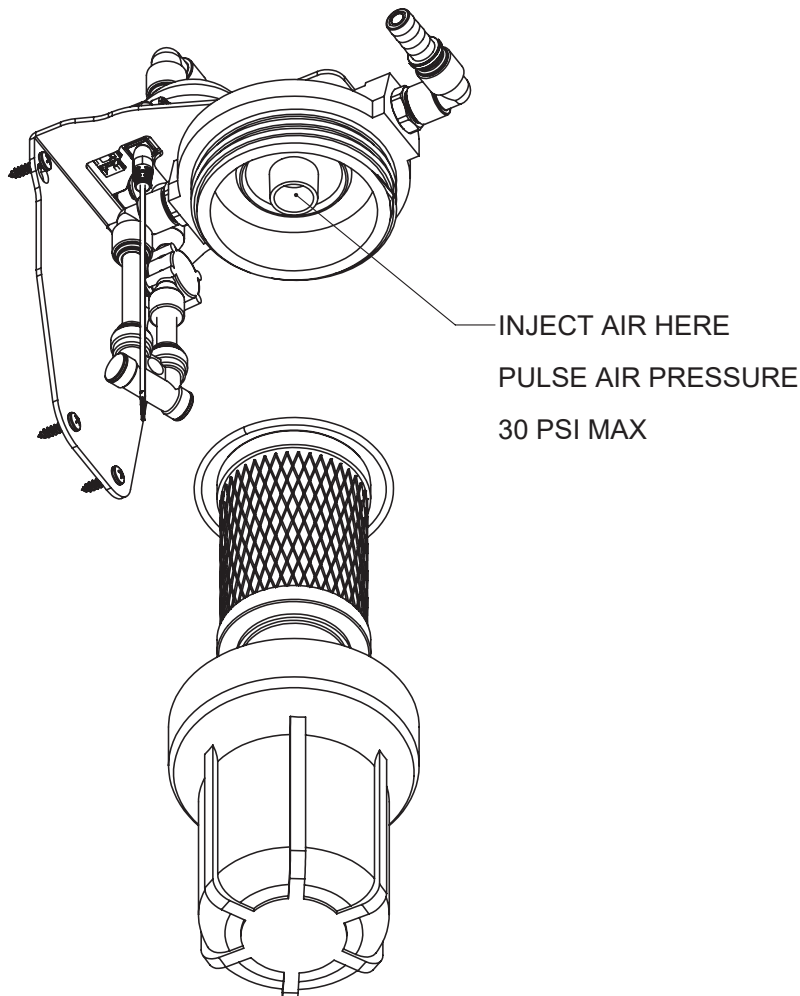
WARNING



FREEZING TEMPERATURES CAN DAMAGE STEALTH AND CAUSE WATER SYSTEM LEAKS AND DAMAGE

Temperatures below 32F (0C) can damage the Stealth causing leaks and loss of performance. Follow **WINTERIZATION PROCEDURES** to prepare Stealth for freezing conditions.

WINTERIZATION PROCEDURES



STEALTH SYSTEM PRO TIPS

- 1) After replacing carbon filter cartridge with a new filter, some visible black carbon fines may be dislodged in new carbon filter. This is normal, allow approximately 5 gallons of water to pass to remove carbon fines.
- 2) For best performance, filter and purify water as close to point of use as possible. The Stealth should be the last thing your drinking water passes through before faucet. For whole system filtration, consult Guzzle H2O.
- 3) For installation location, consider ease of access, max length and minimum bend radius of water supply hoses and power connections when selecting installation location. Also consider large items that might be stored in cabinet locations.
- 4) The carbon filter will cause a 3-5 psi pressure drop in line pressure as it filters water. If this is not acceptable, consider providing a dedicated faucet for filtered water.
- 5) Stealth should be installed in a protected, watertight area. It is very rugged, but not made for outdoor installation.
- 6) There are various inlet and outlet attachments that accommodate hose, PEX tubing, and faucet connections. Consult Guzzle H2O for options for specific plumbing connections. See www.guzzleh2o.com for a selection.
- 7) Lubricate filter canister threads with food safe silicone grease to make threading canister easier.
- 8) The LED-UV unit is natively 12V, and direct DC installation is available. See www.guzzleh2o.com.
- 9) Replacement filters are available on a subscription basis from www.guzzleh2o.com for automatic re-order every 6 months.

**FOR SUPPORT OR TECHNICAL ASSISTANCE FROM GUZZLE H2O
PLEASE EMAIL INFO@GUZZLEH2O.COM**

SYSTEM SPECIFICATIONS AND CAPACITIES

MAXIMUM FLOW RATE; TAP WATER: 2.1 GALLONS (8.0 LITERS) / MIN

FLOW RATES AND CAPACITIES ARE FOR IDEAL CONDITIONS. FLOW RATES AND CAPACITIES MAY BE REDUCED BY CARBON BLOCK FILTER AGE, WATER QUALITY, OR WATER PRESSURE

ACTIVATED CARBON BLOCK FILTER 0.5 MICRON NOMINAL

4.95 X 2.875 (STEALTH 5) / 9.75 X 2.875 (STEALTH 10)

REDUCES: NSF Particulate Class I sediment, chlorine taste and odor, VOCs, NSF 41 emerging contaminants, lead, mercury, PFAS, microplastics, turbidity, . Will not remove heavy metals or toxins

CHANGE AFTER: 1000 gallon OR 6 month use, whichever comes first

LED UV-C PURIFICATION: 99.99% REDUCTION IN PROTOZOA, BACTERIAL, AND VIRUSES

Based on 3rd Party Testing to US EPA Ultraviolet Disinfection Guidance Manual

Tested and Certified by NSF International against NSF Standard 55 for Performance, Materials and Structural Integrity

10,000 hour lifespan

MAXIMUM SYSTEM PRESSURE 120 PSI (8.3 Bar)

MINIMUM SYSTEM PRESSURE 30 PSI

SYSTEM TEMPERATURE MIN: 32F (0C) / MAX 113F (45C)

POWER DRAW ACTIVE 1 AMP

POWER DRAW STANDBY MODE 0.1 AMP

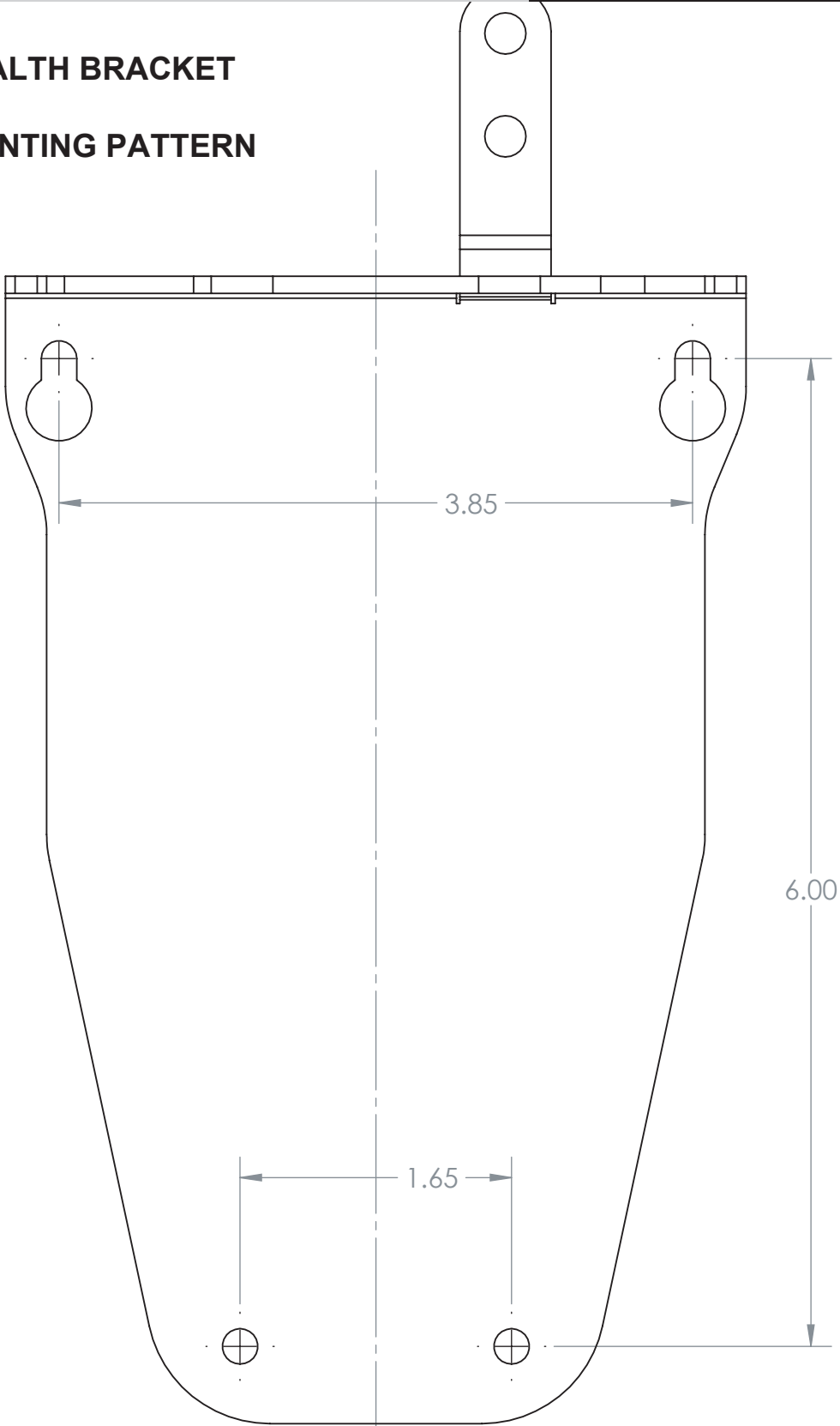
NSF LISTED AND FDA APPROVED MATERIALS



SCAN HERE TO FIND PARTS,
MANUALS, AND RESOURCES
FROM GUZZLE H2O

WWW.GUZZLEH2O.COM

**STEALTH BRACKET
MOUNTING PATTERN**



SCALE 1:1

**END
OF
MANUAL**

**GUZZLE H2O LLC WWW.GUZZLEH2O.COM INFO@GUZZLEH2O.COM
363 JEWETT BLVD, WHITE SALMON, WA USA**