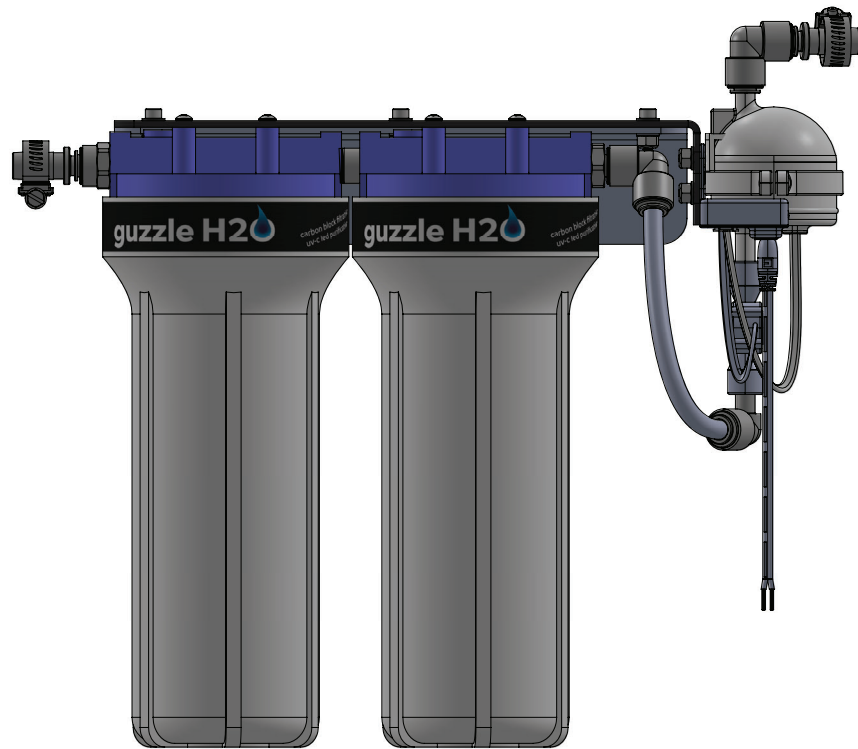


guzzle H2O

pure water. no trash.



INSTALLATION / OPERATION MANUAL

GUZZLE H2O STEALTH 2X10

REV A

GUZZLE H2O LLC WWW.GUZZLEH2O.COM INFO@GUZZLEH2O.COM
4103 CLOUDVIEW CT, HOOD RIVER OR, 97031 USA
+1 (541) 716-5565

STEALTH USERS MANUAL TABLE OF CONTENTS

| CONTENTS | PAGE |
|--------------------------------|------|
| TABLE OF CONTENTS | 1 |
| HAZARD WARNING | 2 |
| PART IDENTIFICATION | 3 |
| SYSTEM OVERVIEW | 5 |
| INSTALLATION | 6 |
| WIRING DIAGRAM | 7 |
| OPERATION | 8 |
| INDICATOR LIGHTS | 9 |
| CHANGING THE FILTER CARTRIDGES | 10 |
| WINTERIZATION | 11 |
| TIPS AND TROUBLESHOOTING | 13 |
| SYSTEM SPECIFICATIONS | 14 |

-END OF MANUAL-



WARNING



MICROBIOLOGICAL HAZARD

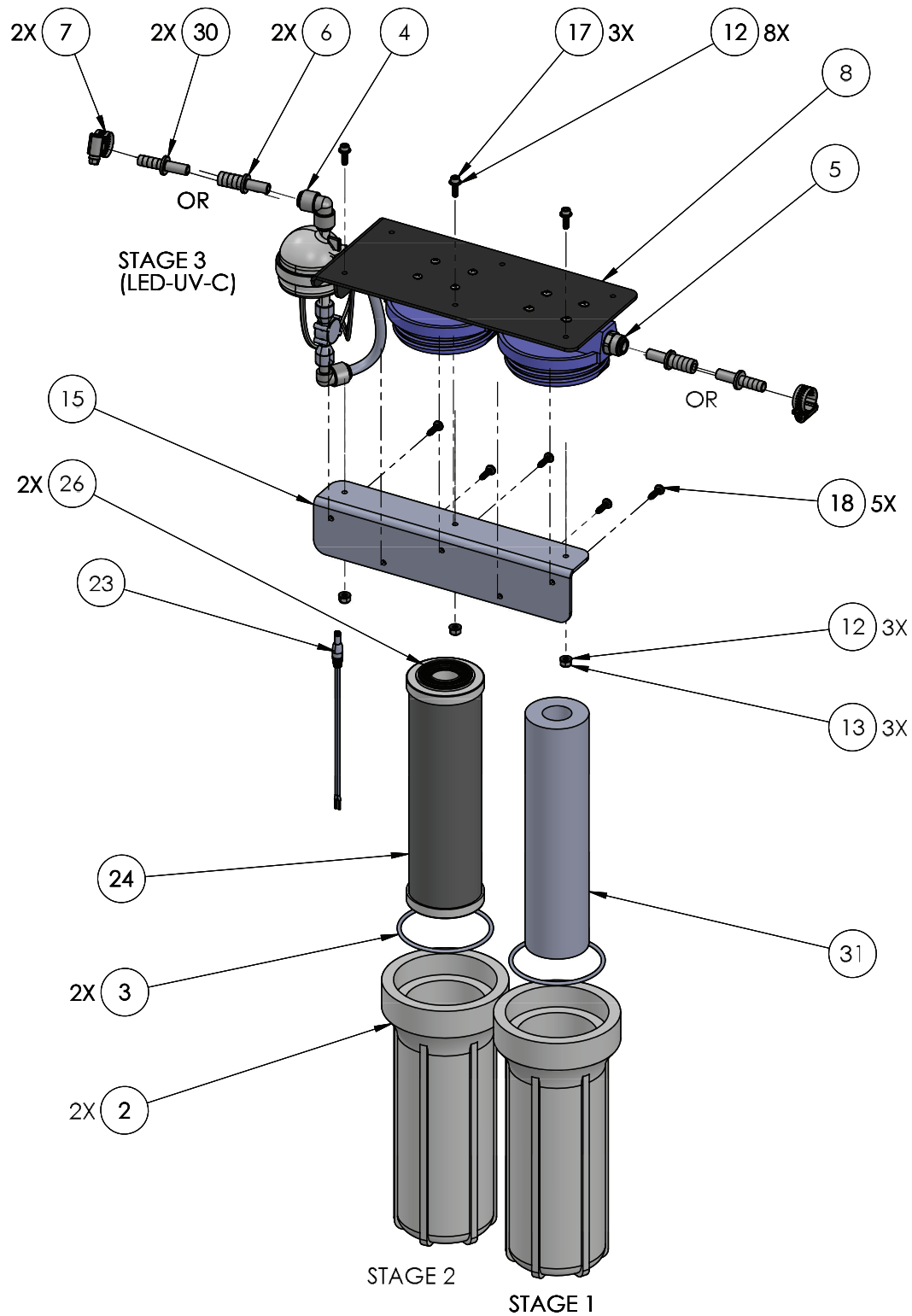
Human consumption of untreated water can lead to exposure to harmful microorganisms and an increased risk of gastrointestinal illness. Operating this filtration and purification device incorrectly increases your risk of exposure to harmful microorganisms and increases your risk of gastrointestinal illness. Reduce your chances of becoming sick by following the warnings and instructions in the operator's manuals.

Guzzle H2O products are designed to reduce unwanted bad taste & odor, chlorine, VOCs, lead, mercury, and other contaminant particles as small as 0.5 micron in size. Guzzle H2O products are 3rd party tested in accordance with US EPA Guidelines for Ultraviolet Disinfection to inactivate 99.99% of viruses, protozoa, and bacteria. Guzzle H2O products do not remove toxins, heavy metals, or treat chemically contaminated water, and will not make potable water from sources with these contaminants. When in doubt, treated drinking water should be tested by the user to verify its safety to consume.

STEALTH 2X10 PART IDENTIFICATION

| ITEM NO. | DESCRIPTION | QTY. |
|----------|---|------|
| 1 | FILTER HOUSING BASE | 2 |
| 2 | FILTER HOUSING, CLEAR PLASTIC | 2 |
| 3 | ORING, FILTER HOUSING, FDA EPDM | 2 |
| 4 | OUTLET, ELBOW, PUSH TO CONNECT, 0.375 TUBE | 1 |
| 5 | INLET, PUSH TO CONNECT, 0.375 TUBE | 1 |
| 6 | STRAIGHT ADAPTER, 0.375 TUBE X 0.5 BARB | 2 |
| 7 | HOSE CLAMP | 2 |
| 8 | MOUNTING PLATE STEALTH 2X10 | 1 |
| 10 | LED UV TREATMENT UNIT | 1 |
| 12 | WASHER, FLAT, SST BLACK-OXIDE | 8 |
| 13 | HEX NUT, NYLOC, 0.190-24, SST BLACK OXIDE | 5 |
| 15 | ANLGE BRACKET, STEALTH 2X10 | 1 |
| 17 | SOCKET HEAD CAP SCREW, 0.190-24, 0.625 LG, 18-8 SST | 3 |
| 18 | WOOD SCREW, PHIL HEAD, NO 10, 0.75 LG, 316 SST | 5 |
| 23 | POWER CABLE, 15' | 1 |
| 24 | CARBON BLOCK FILTER ELEMENT, 10" | 1 |
| 26 | RUBBER GASKET, CARBON FILTER ELEMENT | 2 |
| 30 | STRAIGHT ADAPTER, .375 TUBE X .375 BARB, ACETAL | 2 |
| 31 | PREFILTER CARTRIDGE, 9.875 L | 1 |

PART IDENTIFICATION (CONTINUED)



STEALTH 2X10 SYSTEM OVERVIEW

SYSTEM LAYOUT:

INLET / OUTLET

Water enters through the INLET(8). It passes through STAGE 1, STAGE 2, and STAGE 3 (UV). Water exits through the OUTLET ELBOW (9).

POINT OF USE INSTALLATION

The Stealth 2X10 may be installed on a single cold water line between the pump or pressure tank and the point of use faucet. Ideally the Stealth should be plumbed to its own faucet for maximum water quality..

WHOLE HOUSE INSTALLATION

The Stealth 2X10 may also be installed as a whole house system to filter and purify water across all features of a water system. Be aware that there may be sources of microbiological and chemical contamination that exist within a water system that may contaminate water after it passes through the Stealth 2X10. For best results, periodically shock treat the entire water system with bleach to eliminate microbiological hazards, and remove any sources of chemical contamination. These may include corroding fittings, and parts and materials that are unlisted with NSF or FDA.

Additionally, there may be a pressure drop of 3-5 psi associated with pressurized water passing through the filters on the Stealth 2X10. This may not be desirable for all plumbing features in a water system, such as showers.

BI DIRECTIONAL MOUNTING

The ANGLE BRACKET (15) may be attached to the MOUNTING PLATE (8) on either side to accommodate the INLET (5) on either the right hand or left hand side to accommodate the incoming plumbing configuration. The OUTLET ELBOW (4) may be swiveled 360 degrees to accommodate outlet plumbing.

ELECTRICAL SUPPLY

The Stealth 2X10 requires 12 V DC power supply, drawing 1.2 amps when activated. A 2 amp fuse is recommended. See Page 8 for Wiring Diagram.

OPERATION

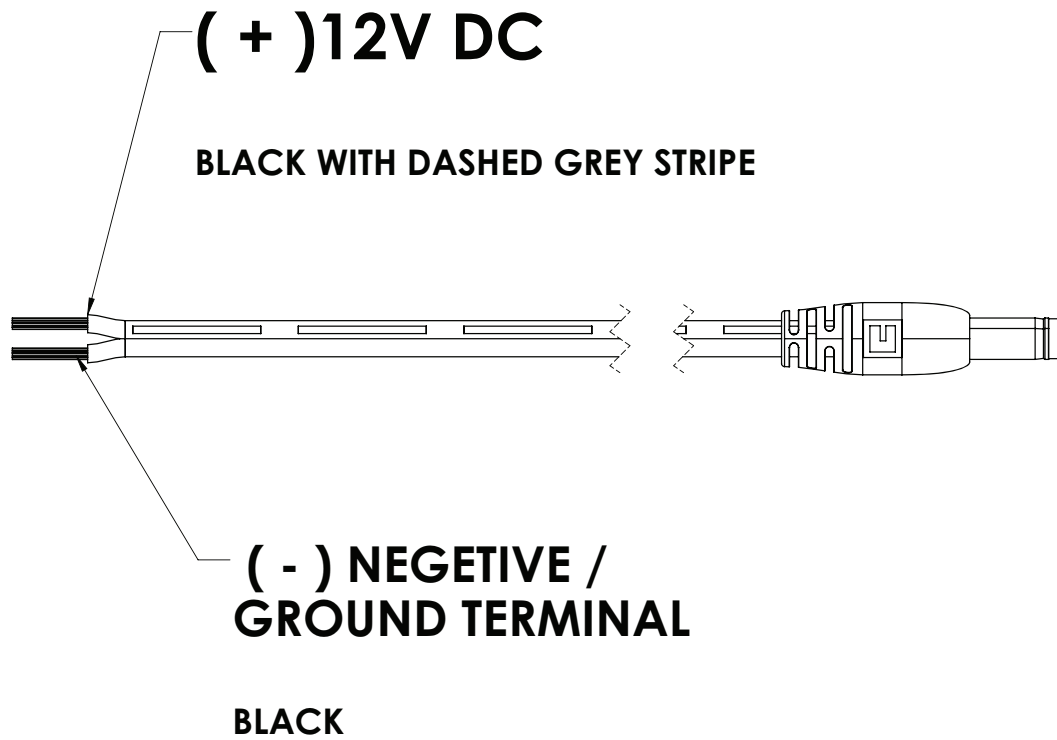
The Stealth 2X10 has a flow sensing switch which detects water flow and instantly turns itself on. The Stealth 2X10 will sense that water is moving when you open the faucet. It draws approximately 0.1 A when it is in standby mode. LED technology allows it to instantly switch on the UV chamber to full power with with no warm up necessary.

STEALTH INSTALLATION

- 1) Turn off water supply, and/or all pumps supplying pressure to the water system.
- 2) Determine plumbing layout. Stealth 2X10 may be mounted with INLET (5) on the right or left hand side of the unit. OUTLET, ELBOW (4) may swivel 360 degrees to accommodate outlet plumbing. Plan for adequate space for inlet and outlet plumbing to have a clear approach so there is no residual tension on fittings. Plan for adequate space to uncrew FILTER HOUSINGS (2) to change filter elements.
- 3) Install ANGLE BRACKET (15) to mounting surface. Using the ANGLE BRACKET (15) as a template, mark 5 screw locations and drill pilot holes with a 3/32 (0.094) inch drill bit. Install ANGLE BRACKET (15) with provided WOOD SCREWS (18). If mounting on a surface material other than wood, plastic, or metal, substitute appropriate fasteners.
- 4) Unscrew the FILTER HOUSING (2) and set aside. This will facilitate fastener access.
- 5) Using SOCKET HEAD CAP SCREW (17), WASHERS (12), and HEX NUTS (13) attach the MOUNTING PLATE (8) to the ANGLE BRACKET (10). The Stealth 2X10 may be mounted using the holes on either side of MOUNTING PLATE (8) to orient the inlet and outlet appropriately for the installation plumbing.
- 6) Select appropriate size (3/8 OR 1/2 INCH BARBED) STRAIGHT ADAPTER (30 or 6) for inlet and outlet tubing. Install the barbed side of the STRAIGHT ADAPTER (30 or 6) into inlet and outlet tubing. Use provided HOSE CLAMPS (7) to secure hose on barbed fittings.
- 7) Connect POWER CABLE (23) to power supply. Recommended fuse size is 2 A. Cable with dashed grey stripe connects to positive (+) terminal (see page 8). Blank cable connects to negative (-) terminal. Connect barrel plug to underside of UV unit. Green indicator LED shows UV is connected to power and in STANDBY mode.
- 8) Secure all inlet and outlet plumbing, and POWER CABLE (23) with hose mounts, cable ties, or tie downs as appropriate to eliminate vibration and strain loading on fittings, plumbing, and cables.
- 8) Install PREFILTER CARTRIDGE (31) in STAGE 1 HOUSING. Install CARBON BLOCK FILTER (24) in STAGE 2 HOUSING. Make sure O-RING (3) seats in groove in HOUSING (2). Tighten both HOUSINGS (2) firmly by hand.
- 9) Turn on water supply. Determine that there are no leaks.
- 10) Test operation. Blue indicator LED should illuminate when water flows, indicating UV system is active. Blue LED should turn off when water flow stops. See page 9.

INSTALLATION COMPLETE

WIRING DIAGRAM



STEALTH OPERATION

When power is connected to the Stealth 2X10, the green indicator LED illuminates to indicate it is on STANDBY MODE (see page 8). In this mode, the Stealth 2X10 is ready to purify water, but has not yet activated the UV purification chamber.

The UV purification function of the Stealth 2X10 activates automatically by sensing water flow and activating the UV purification chamber when water is moving. A few seconds after the water stops, the Stealth 2X10 turns the purification chamber off. Water flow typically is started and stopped by using your faucet. UV purification activity is indicated by the BLUE LED indicator light.

LED technology allows the UV purification chamber to instantly activate and perform at full effectiveness. The UV chamber does not require any time to “warm up.”

The Stealth 2X10 can be left on STANDBY MODE indefinitely. The UV function will only activate when water is running.

INDICATOR LIGHTS



COLOR: BLUE

UV ACTIVE

COLOR: GREEN

**POWER ON
STANDBY MODE**

CHANGING THE FILTER CARTRIDGES

CARBON BLOCK FILTER (24) and SEDIMENT PREFILTER (31) should be changed after 1000 gallons of use, or after 6 months. Actual capacity may vary depending upon quality of water filtered. Reduced water flow rate through filter or at the faucet is an indication that the carbon block filter element should be changed.

- 1) Turn off water service or water pump, and open faucet to drain and depressurize water line. Place a bucket or towel below Stealth 2X10 to catch any water that may drain.
- 2) Unscrew both FILTER HOUSINGS (2). Locate the O-RING (3) on the perimeter of the HOUSING (2). Drain water and remove CARBON BLOCK FILTER (24) and PREFILTER (31).
- 3) Place new CARBON BLOCK FILTER (24) element in the STAGE 2 HOUSING (2) nearest the UV unit. Make sure the O-RING (3) is properly seated and GASKETS (26) are in place. Thread the HOUSING (2) onto filter housing base. Make sure top and bottom of CARBON BLOCK FILTER (24) is centered on mounting. Tighten cannister firmly, making sure O-RING (3) seals.
- 4) Install the PREFILTER (31) element in the STAGE 1 HOUSING (2), using the same procedure as in step 3.
- 5) Turn on water service of pump, and open faucet to let water flow. Run 5 gallons of water through system to dislodge and remove any loose carbon fines from the CARBON BLOCK (24) element. Close faucet and check for leaks.

MAINTENANCE FREE UV CHAMBER

The LED UV chamber has a lifespan of 10,000 hours of activated operation. It does not need to be replaced or serviced as a maintenance item. Contact Guzzle H2O should you require replacement.



WARNING



FREEZING TEMPERATURES CAN DAMAGE STEALTH AND CAUSE WATER SYSTEM LEAKS AND DAMAGE

Temperatures below 32F (0C) can damage the Stealth 2X10 causing leaks and loss of performance. Follow WINTERIZATION PROCEDURES to prepare Stealth2X10 for freezing conditions.

WINTERIZATION PROCEDURES

In below freezing temperatures, water **MUST** be removed from the Stealth 2X10 or damage may occur to the UV unit. Follow these guidelines in addition to any recommendations that may come with the rest of your water system.

- 1) Unscrew both FILTER HOUSINGS (2) and drain water. Remove CARBON BLOCK (24) and PREFILTER (31) elements and set aside to dry for storage.
- 2) Thread STAGE 1 HOUSING (2) back on to filter base.
- 3) Open faucet. Use an air compressor to inject air into the outlet hole in the center of the filter housing base nearest the UV unit.. Pulse air into the outlet hole as shown on page 12 to push air and water out through the UV unit. Water should come out of open faucet. Pulse air until no more water is expelled through faucet, and water is removed from UV unit.
- 4) Reinstall the STAGE 2 HOUSING (2) without the CARBON BLOCK FILTER (24). Allow CARBON BLOCK FILTER (24) to dry, and store for reinstallation.

ALTERNATIVELY TO THIS PROCEDURE, anti-freeze fluid may be used to protect the Stealth 2X10 from freezing conditions. Remove CARBON BLOCK (24) and PREFILTER (31) elements and follow manufacturer instructions for distributing food safe anti-freeze fluid throughout the system including the Stealth 2X10 to prevent water from freezing.



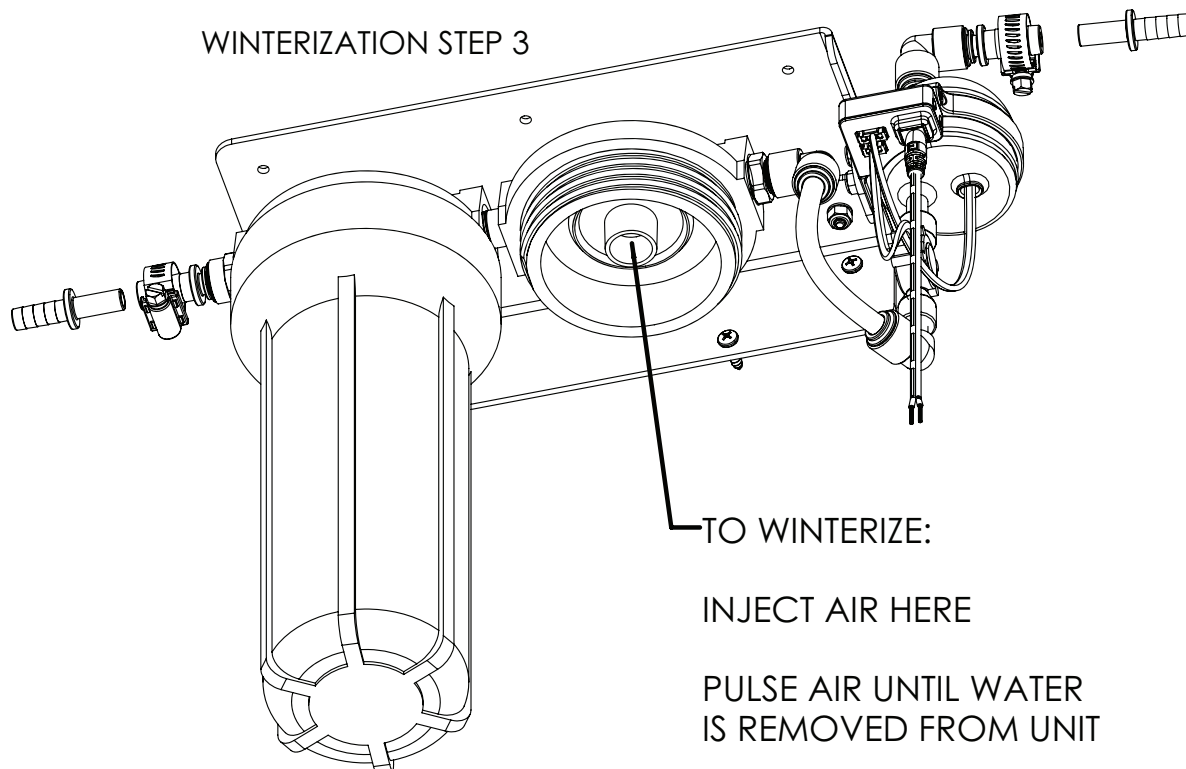
WARNING



FREEZING TEMPERATURES CAN DAMAGE STEALTH AND CAUSE WATER SYSTEM LEAKS AND DAMAGE

Temperatures below 32F (0C) can damage the Stealth 2X10 causing leaks and loss of performance. Follow WINTERIZATION PROCEDURES to prepare Stealth2X10 for freezing conditions.

WINTERIZATION PROCEDURES



STEALTH SYSTEM TRICKS AND TROUBLE SHOOTING

- 1) Secure all hoses and cables connecting to the Stealth. Loose and vibrating connections can lead to water leaks and faulty electrical connections.
- 2) After replacing carbon filter cartridge with a new filter, some visible black carbon fines may be dislodged in new carbon filter. This is normal, allow approximately 5 gallons of water to pass to remove carbon fines.
- 3) For best performance, filter and purify water as close to point of use as possible. The Stealth should be the last thing your drinking water passes through before faucet. For whole system filtration, consult Guzzle H2O.
- 4) Carbon filter will cause a pressure drop in line pressure as it filters water. This may cause automatic pressure water pumps to cycle on and off as pressure limit is reached. This is normal. Adjust pump pressure to accommodate, or consult Guzzle H2O for higher flow options.
- 5) Stealth should be installed in a protected, watertight area. It is not made for outdoor installation.
- 6) To disconnect push to connect inlet and outlet fittings, depress collar around tube, and pull tubing insert.
- 7) Periodically clean onboard water tanks by shock treating with bleach or chlorine. This will reduce buildup of contaminants. The carbon block filters will do an excellent job of removing any residual chlorine from cleaning efforts.
- 8) The Stealth requires water to be running while it is activated in order to cool internal LED components.

PRODUCT SPECIFICATIONS AND CAPACITIES

MAXIMUM FLOW RATE; TAP WATER: 2.2 GALLONS (4 LITRES) / MIN

FLOW RATES AND CAPACITIES ARE FOR IDEAL CONDITIONS. FLOW RATES AND CAPACITIES MAY BE REDUCED BY CARBON BLOCK FILTER AGE, WATER PRESSURE, HEAVY SILT

ACTIVATED CARBON BLOCK FILTER 0.5 MICRON NOMINAL

9.875 X 2.875 INCH SIZE

REDUCES: sediment, chlorine taste and odor, VOCs, NSF 41 emerging contaminants, lead, mercury, and other chemical contaminants. Will not remove heavy metals or toxins

1000 gallon capacity

SEIMENT PRE FILTER 0.5 MICRON NOMINAL

9.875 X 2.875 INCH SIZE

1 MICRON

REDUCES SEDIMENT

LED UV-C PURIFICATION: 99.99% REDUCTION IN PROTOZOA, BACTERIAL, AND VIRUSES

Based on 3rd Party Testing to US EPA Ultraviolet Disinfection Guidance Manual

Tested and Certified by NSF International against NSF Standard 55 for Materials and Structural Integrity

10,000 hour lifespan

MAXIMUM SYSTEM PRESSURE 120 PSI

MINIMUM SYSTEM PRESSURE 20 PSI

POWER DRAW ACTIVE 1.2 AMP

POWER DRAW STANDBY MODE 0.1 AMP

NSF LISTED AND FDA APPROVED MATERIALS

**END
OF
MANUAL**

**GUZZLE H2O LLC WWW.GUZZLEH2O.COM INFO@GUZZLEH2O.COM
4103 CLOUDVIEW CT, HOOD RIVER OR, 97031 USA
+1 (541) 716-5565**